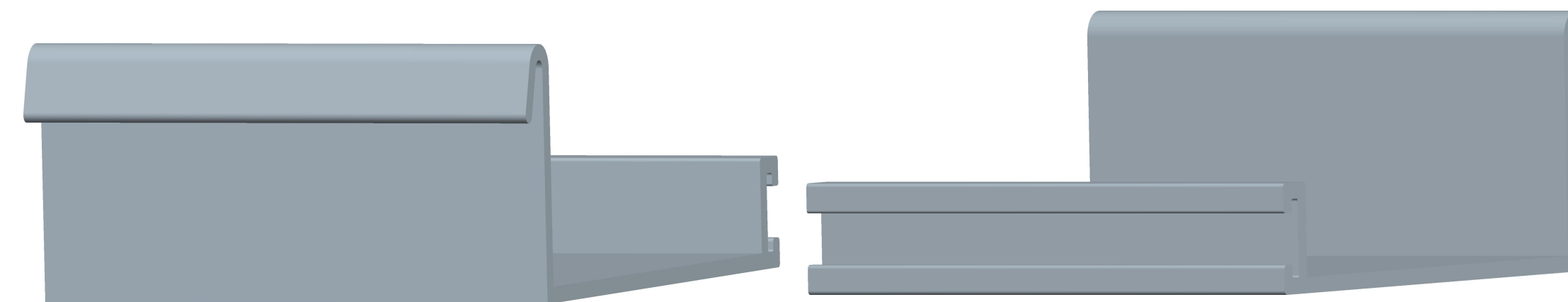
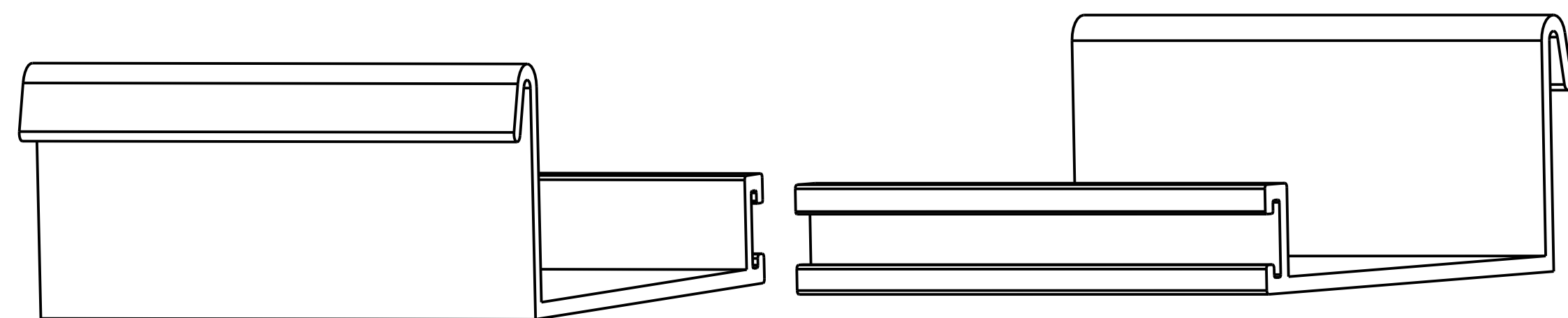
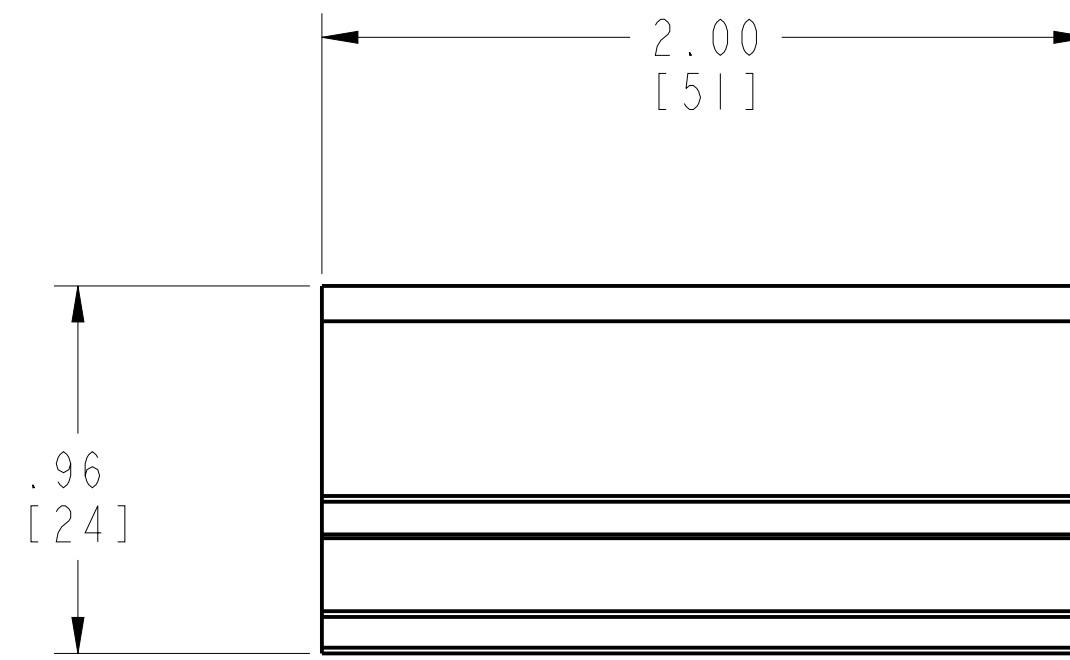
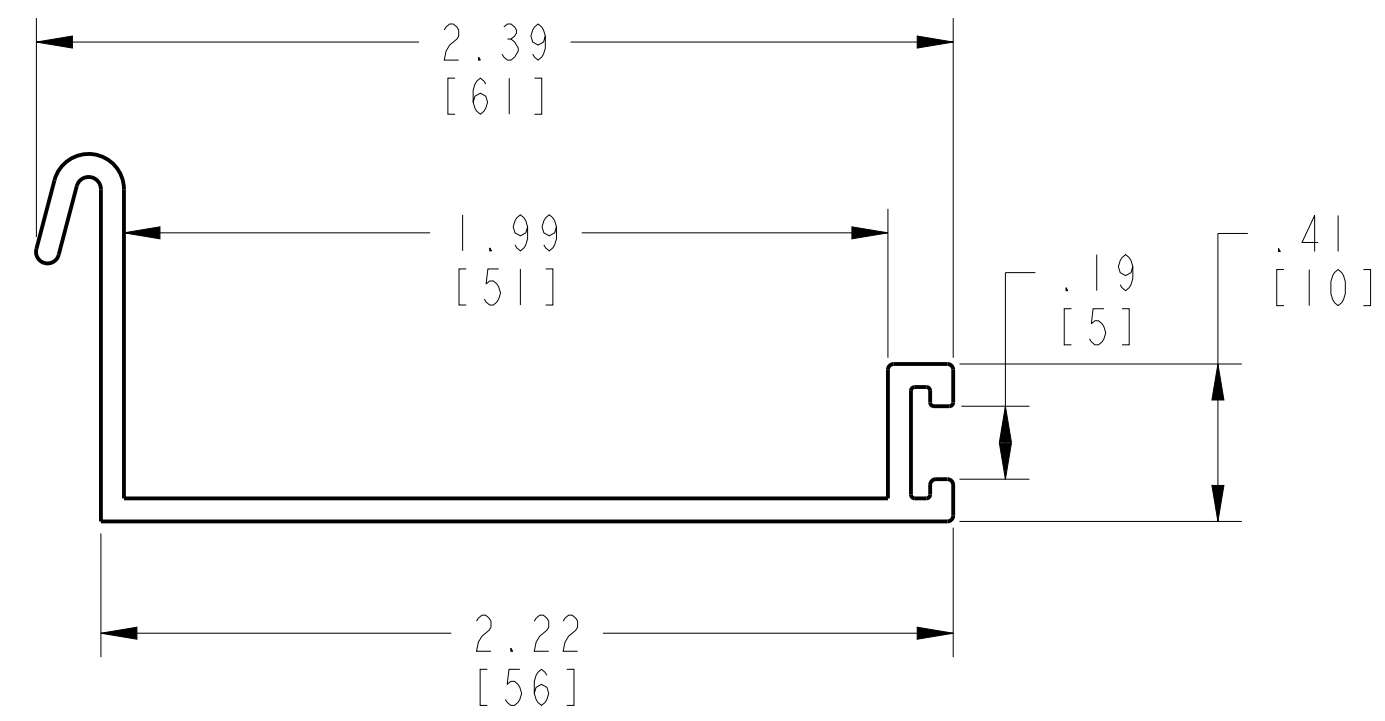


REVISION RECORD				
SYM	DESCRIPTION	BY	DATE	CHK
D	CUSTOMER INSPECTION DRG	JSG	08NOV12	



SBT ITEM NUMBER RCBCZA - ANODIZED
RCBCZW - WHITE

THIS INFORMATION IS CONFIDENTIAL AND PROPRIETARY TO ROLLESE, INC. THE PROSESSOR AGREES TO MAINTAIN THIS INFORMATION AS CONFIDENTIAL, NOT REPRODUCING OR REVEALING IT IN WHOLE OR IN PART TO ANY THIRD PARTY.	INCHES	RollEase Window Covering Systems			
	TOLERANCES	USED ON	CONTRACT SERIES	MATL	
	X.XX : ± 0.015	DRAWN BY	TITLE	SEE NOTES	
	X.XXX : ± 0.005	JSG	CLOSURE, BOTTOM 3"	SOLID	
ANG : ± 1°	DATE	SCALE	ENGINEERING DRAWING NUMBER	REV	
	08NOV12	D	2/1	WI17P101	D