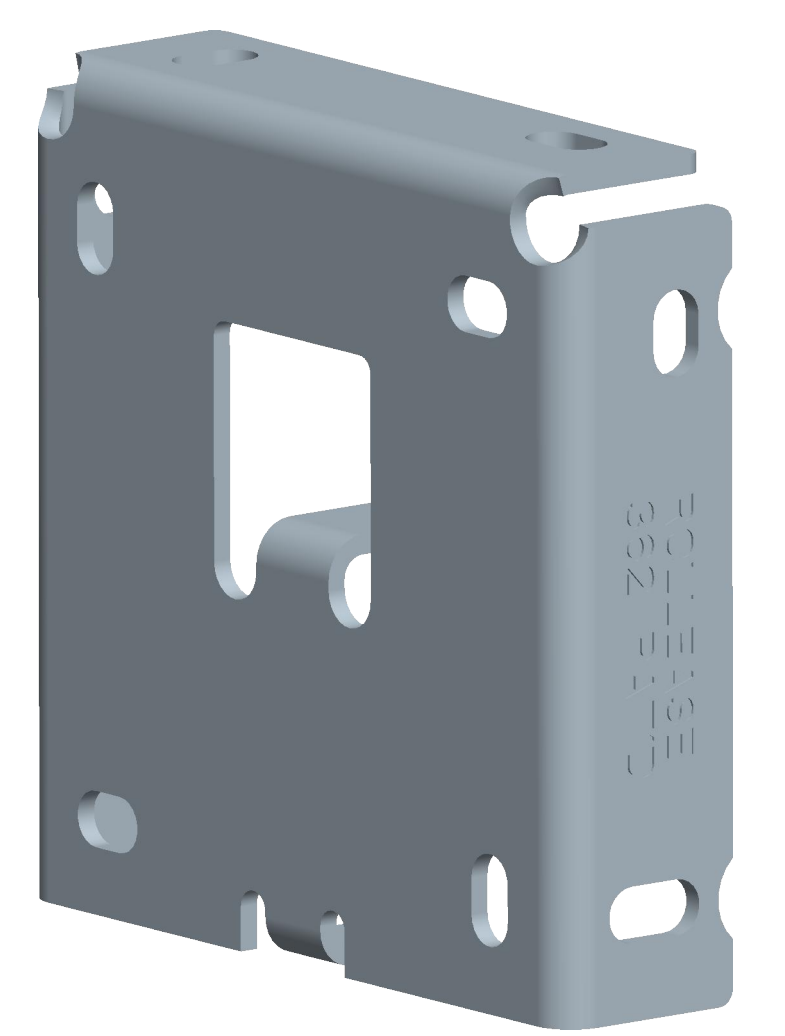
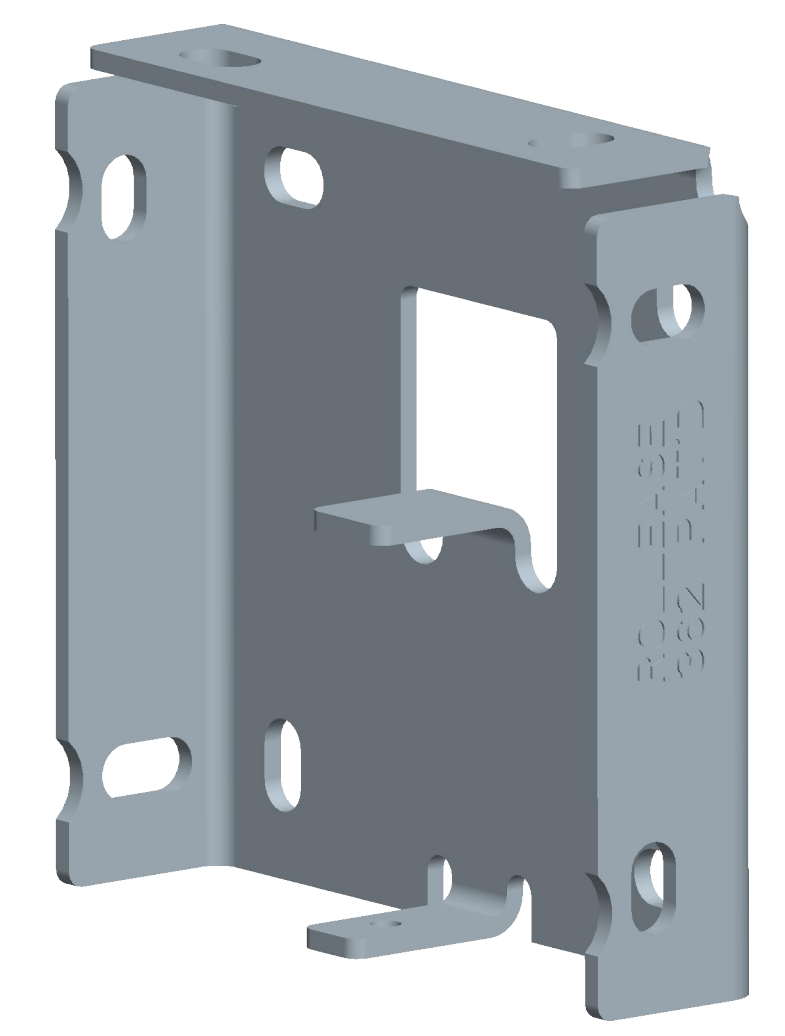
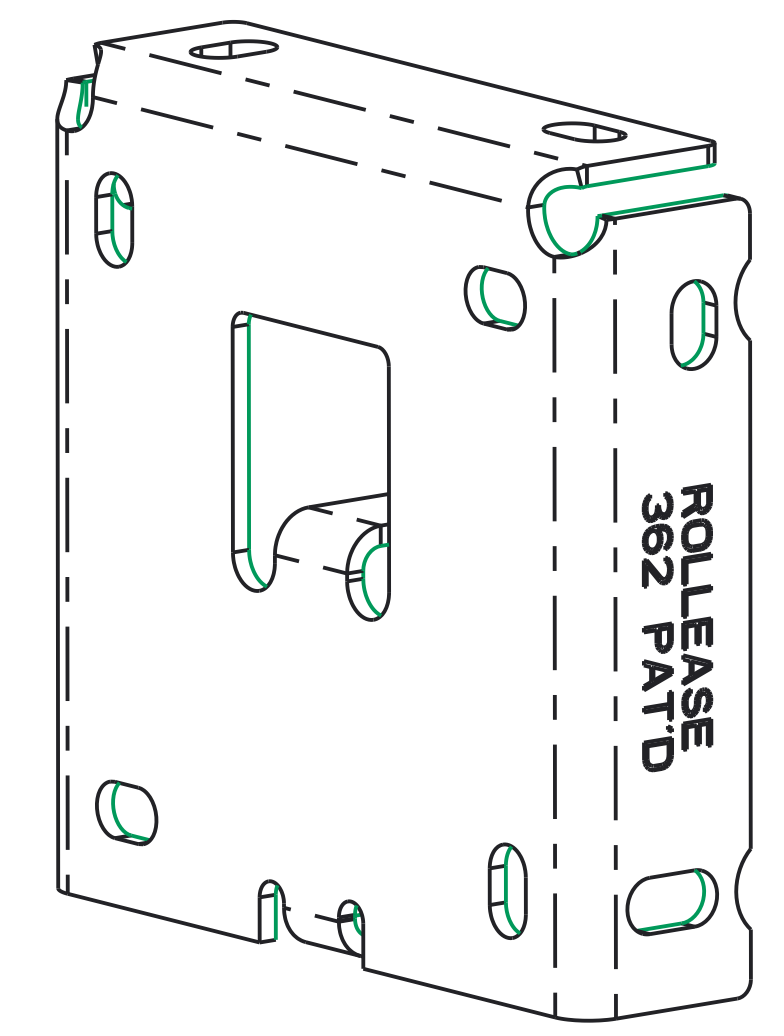
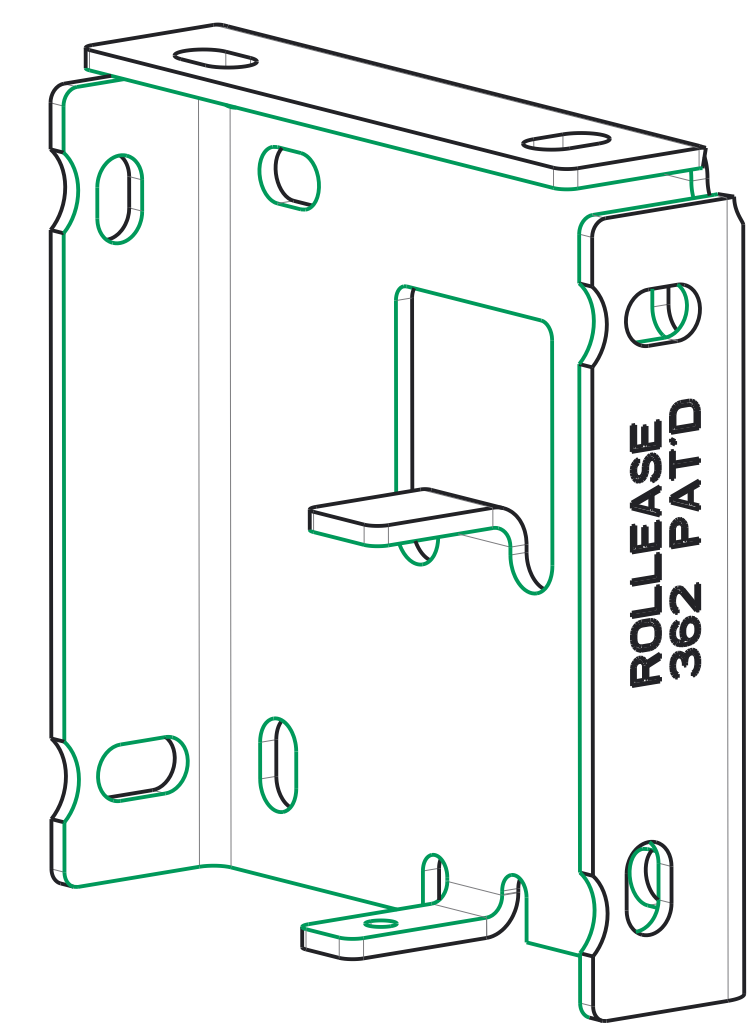
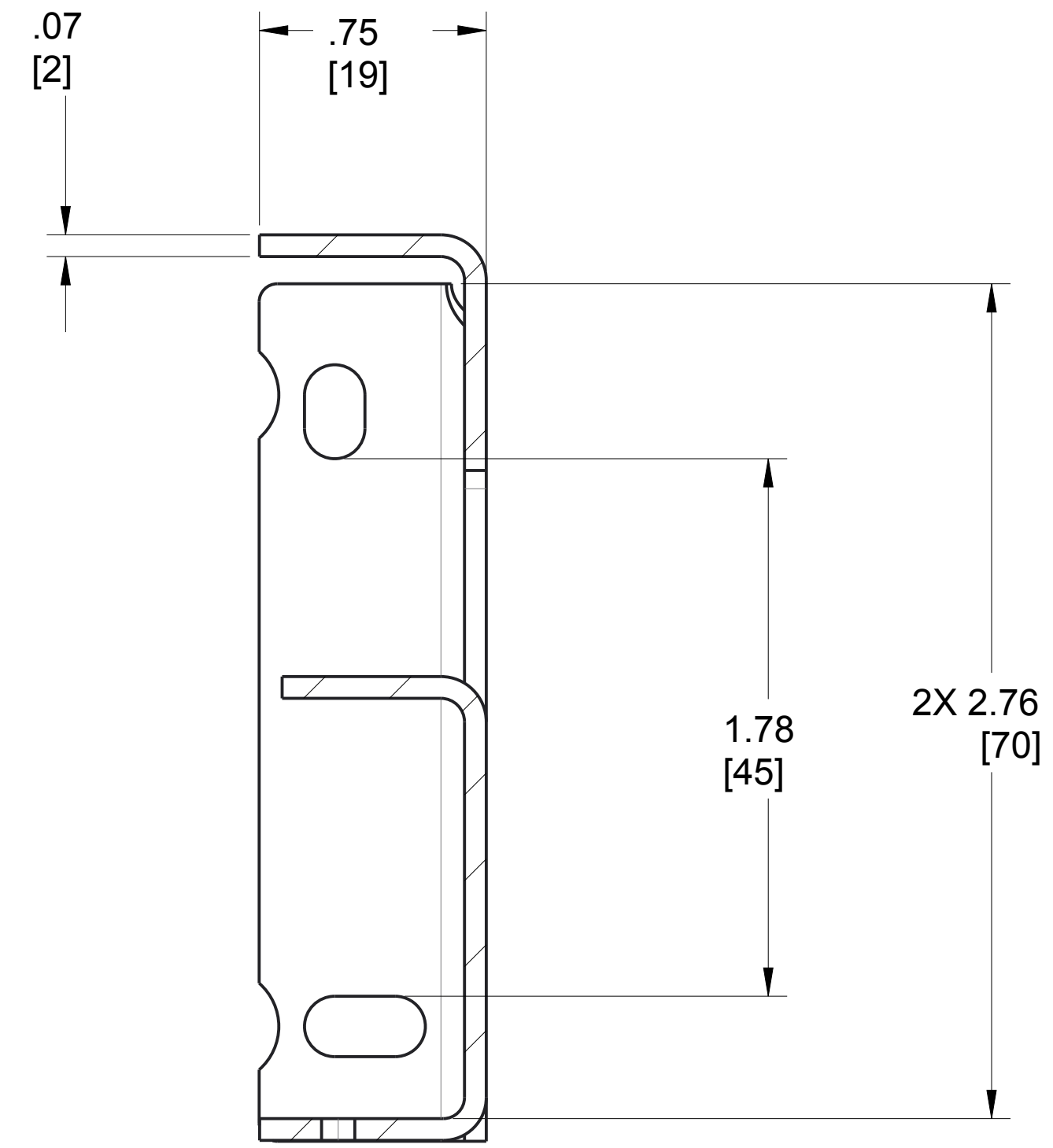
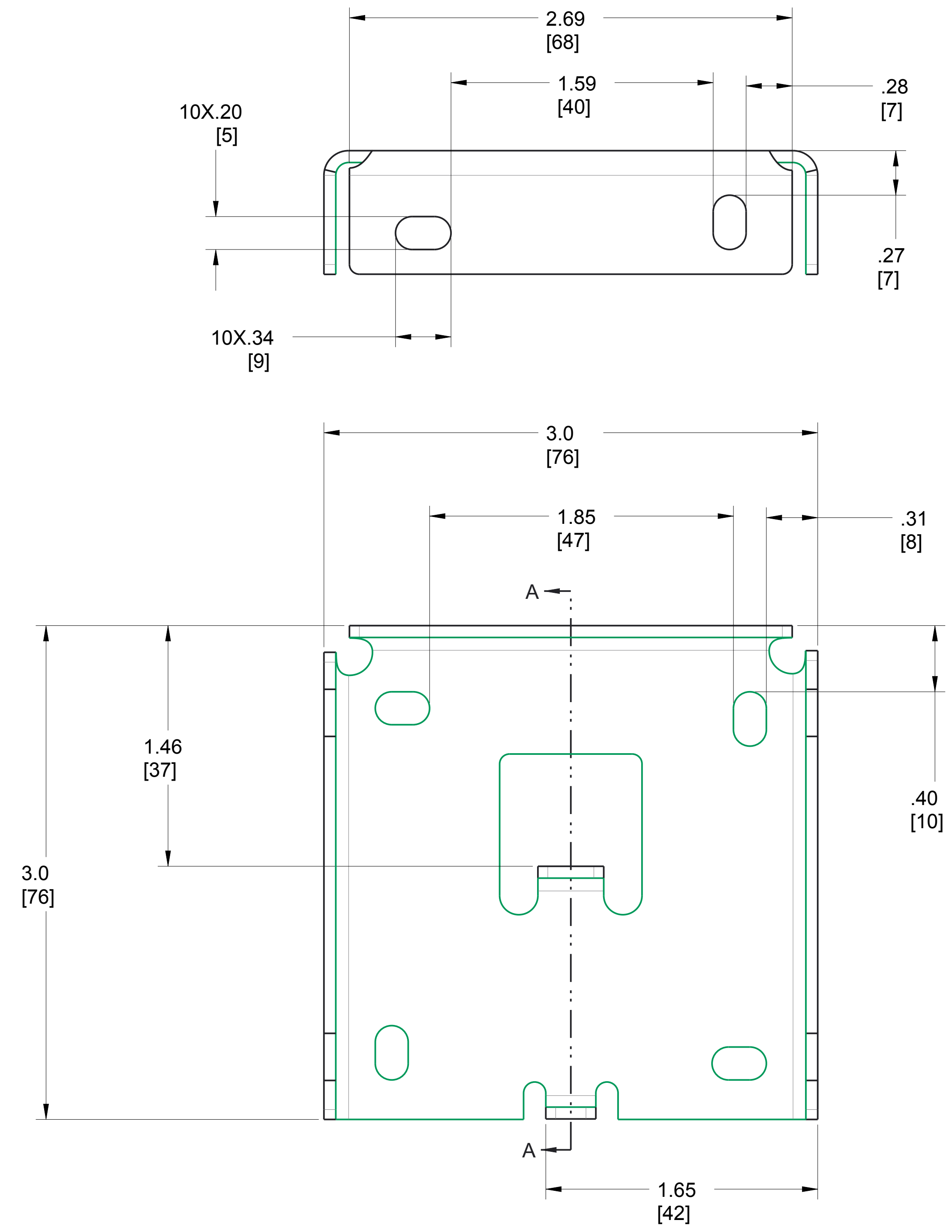


REVISION RECORD				
SYM	DESCRIPTION	BY	DATE	CHK
L	CUSTOMER INSPECTION DRAWING	VRP	06JUL11	



<small>THIS INFORMATION IS CONFIDENTIAL AND PROPRIETARY TO ROLLEASE, INC. THE POSSESSOR AGREES TO MAINTAIN THIS INFORMATION AS CONFIDENTIAL, NOT REPRODUCING OR DISSEMINATE IN WHOLE OR IN PART TO ANY THIRD PARTY.</small>	INCHES	<b>RollEase</b> Window Covering Systems		
	TOLERANCES	X.XX ± 0.015 X.XXX ± 0.005 ANG ± 1°	DESIGNED BY: RB DRAWN BY: VRP DATE: 06JUL11	TITLE: RB362RTNXX 3 IN FASCIA BRACKET SCALE: 2:1 W026P005
	DATE: 06JUL11	DESIGNED BY: RB	DRAWN BY: VRP	DATE: 06JUL11
	DATE: 06JUL11	DESIGNED BY: RB	DRAWN BY: VRP	DATE: 06JUL11