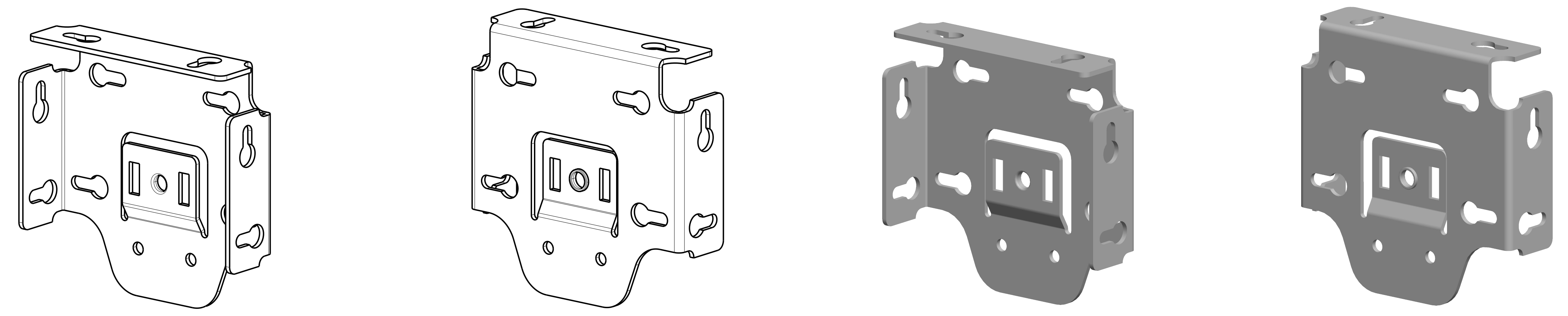
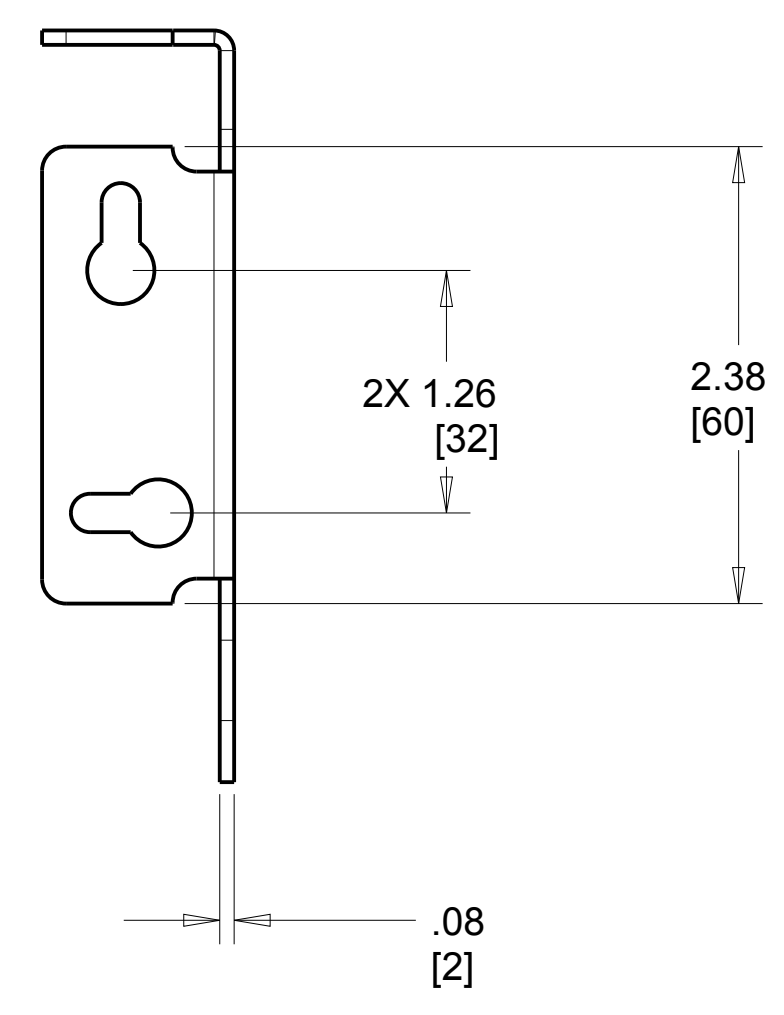
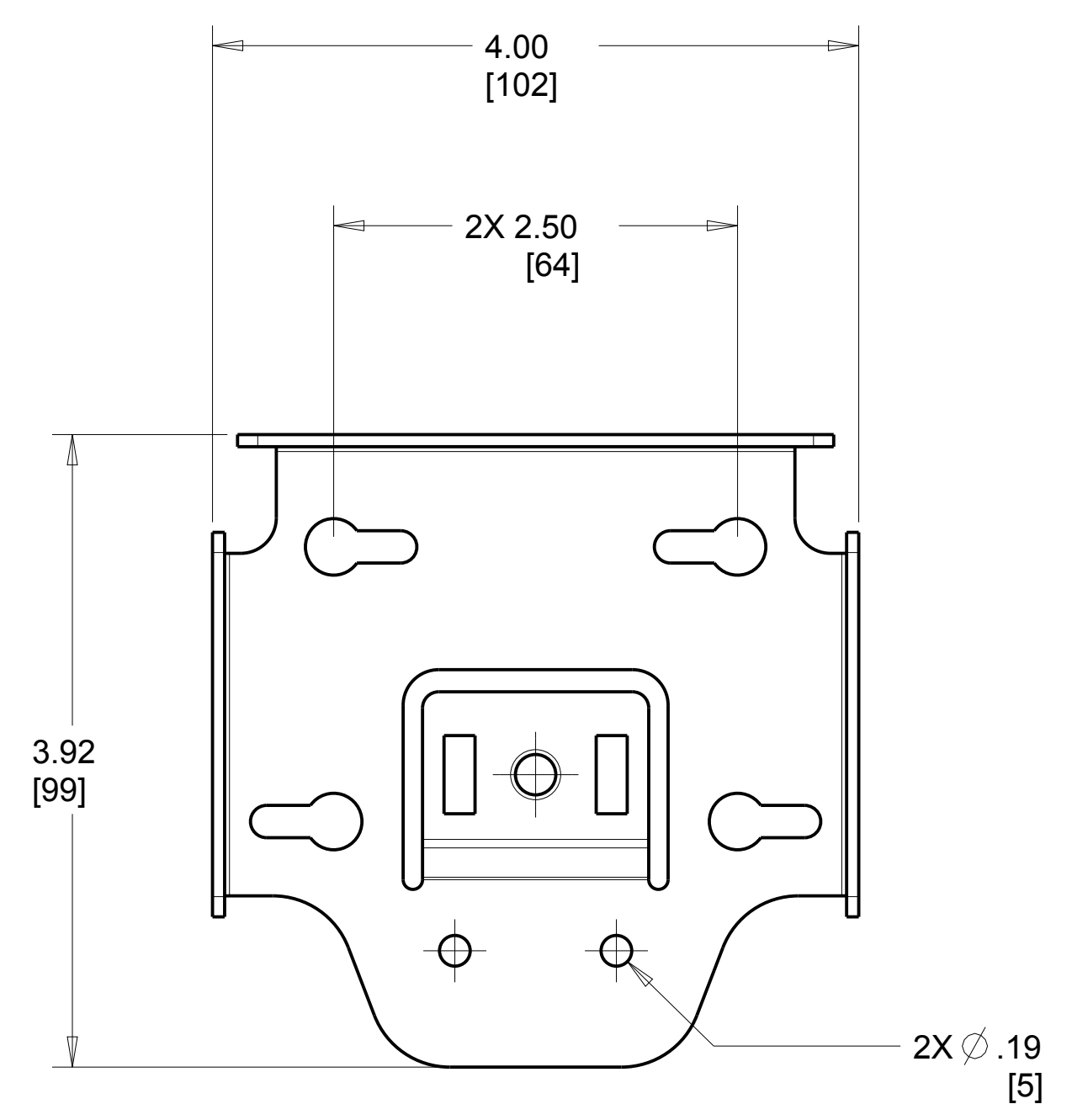
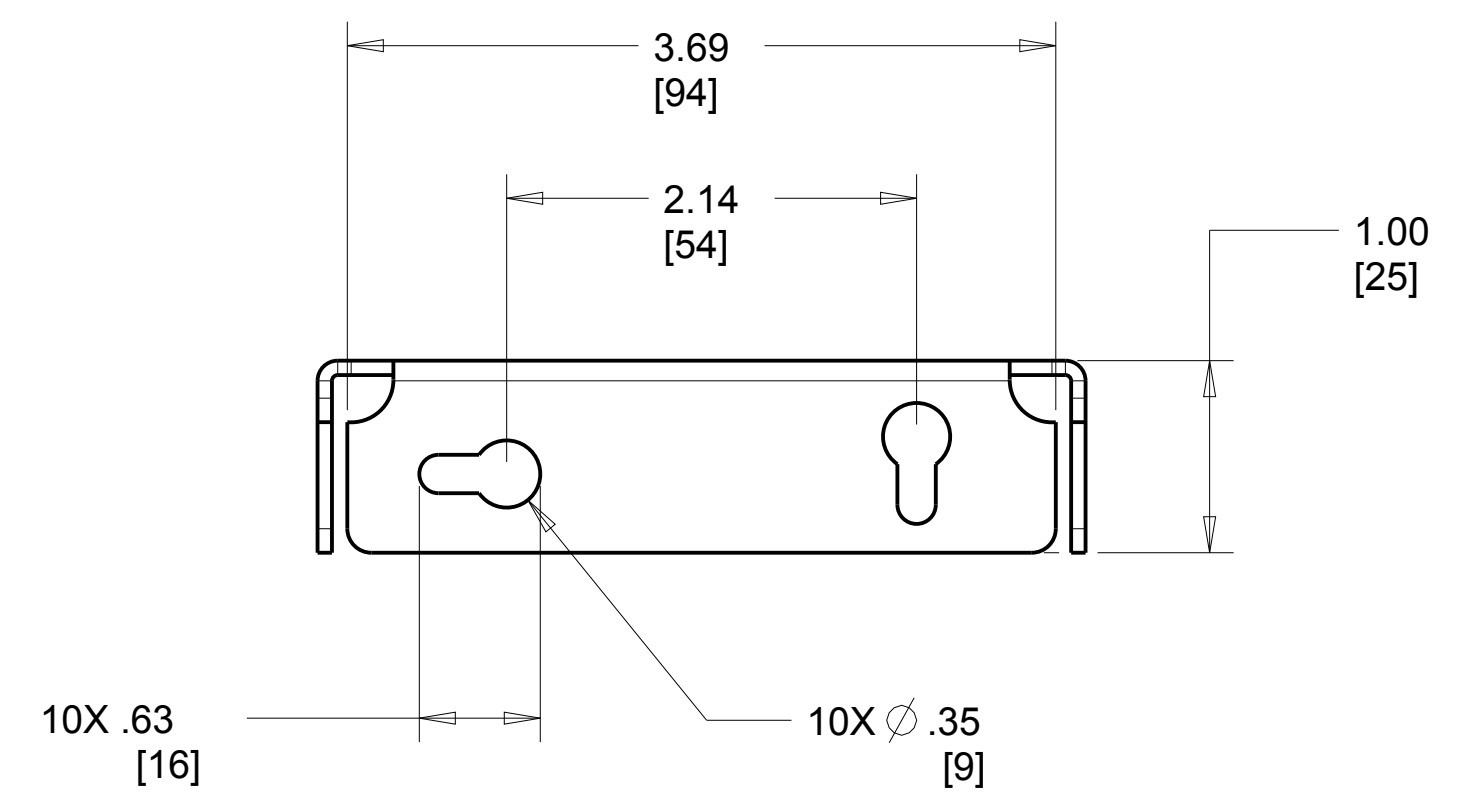


REVISION RECORD				
SYM	DESCRIPTION	BY	DATE	CHK
B	CUSTOMER INSPECTION DRAWING	VRP	08JUL11	



THIS INFORMATION IS CONFIDENTIAL AND PROPRIETARY TO ROLLEASE, INC. THE PROSESSOR AGREES TO MAINTAIN THIS INFORMATION AS CONFIDENTIAL, NOT REPRODUCE OR DISSEMINATE IN WHOLE OR IN PART TO ANY THIRD PARTY.	INCHES		RollEase® Window Covering Systems		RollEase, Inc. STAMFORD, CT	
	TOLERANCES		DESIGN BY	TITLE	DATE	SCALE
	.XX ± .015 .XXX ± .005 ANG ± 1°		VRP	SLFBKT4XX 4 INCH FASCIA BRACKETS	08JUL11	1:1
			D	W159P100	B3	B