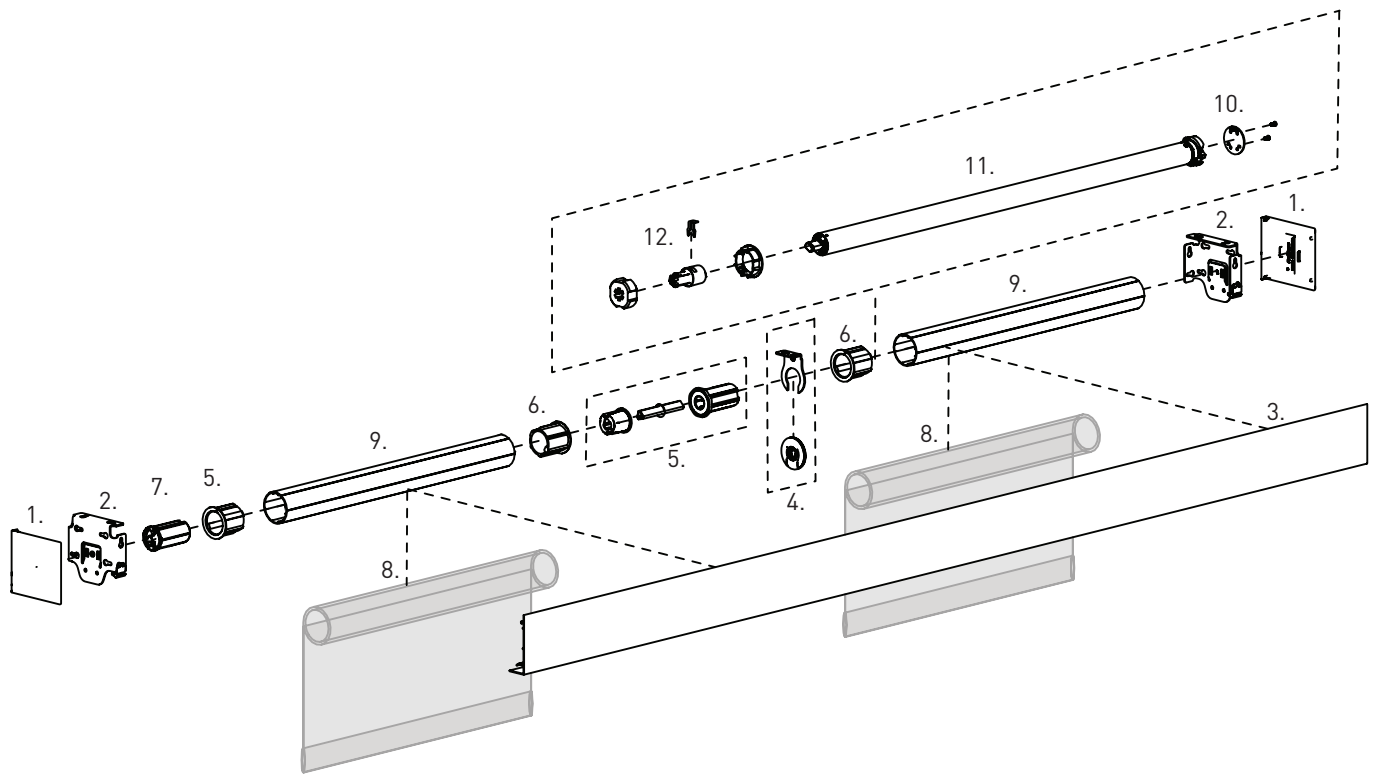


# ROLLEASE ACMEDA CONTRACT PROGRAM

## 4 INCH FASCIA LINK SYSTEM WITH 35MM MOTOR

### GENERAL SCHEMATICS



### SYSTEM INDEX

1. 4 inch Skyline Bracket Cover
2. 4 inch Skyline Bracket
3. 4 inch Skyline Fascia
4. Skyline Bracket with Intermediate Bearing
5. Infinite Adjuster System
6. 2" Tube Adapter
7. HD Pin End
8. Fabric
9. 2" Tube
10. Automate Li-ion 3.0 Motor Adapter
11. Automate Li-ion 3.0 Motor
12. Automate Li-ion 3.0 Motor Crown & Drive Kit

**ROLLEASE ACMEDA CONTRACT**

Leading innovator of precision hardware and automated shade solutions.

USA | EUROPE | AUSTRALIA [rolleaseacmeda.com](http://rolleaseacmeda.com)