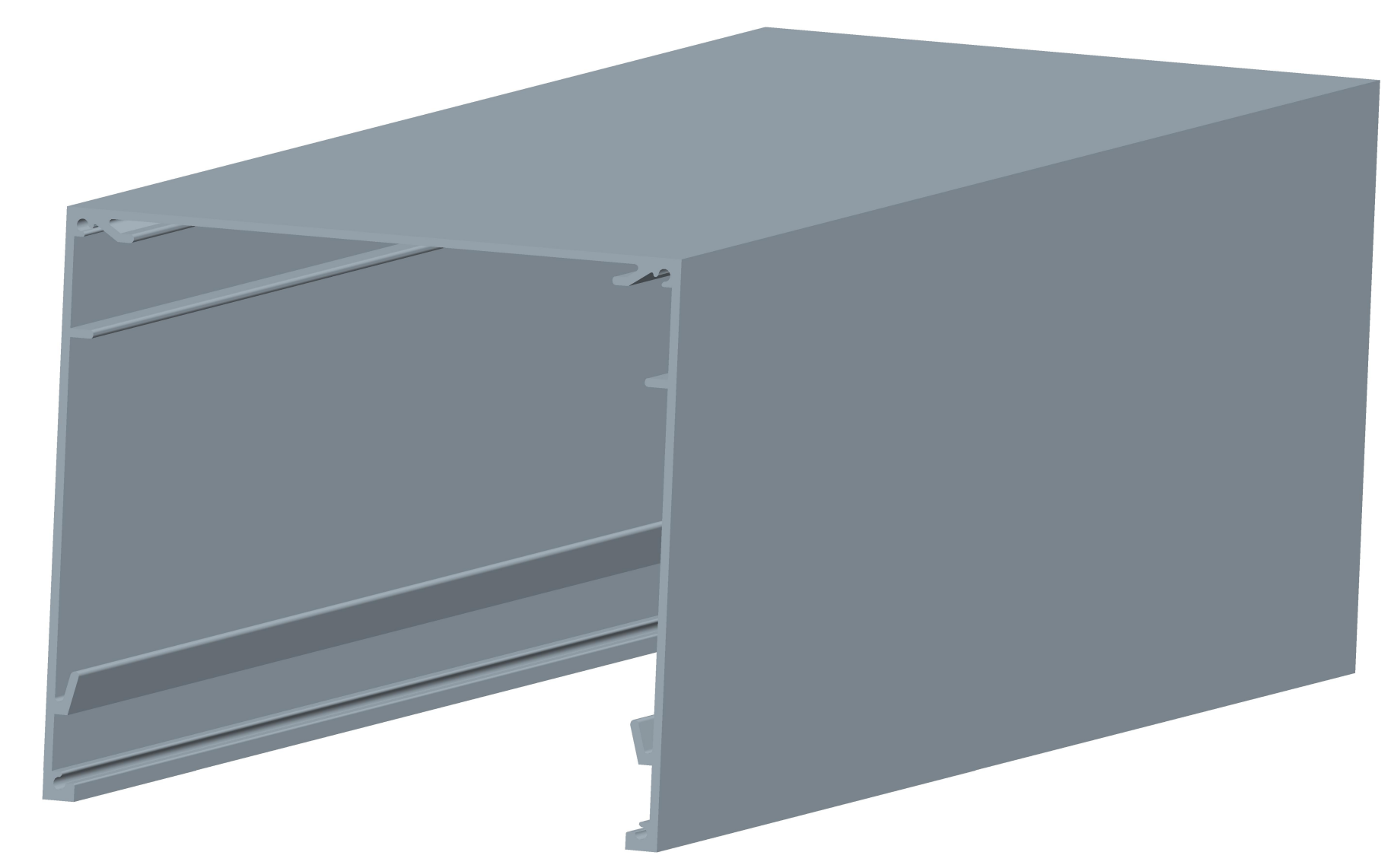
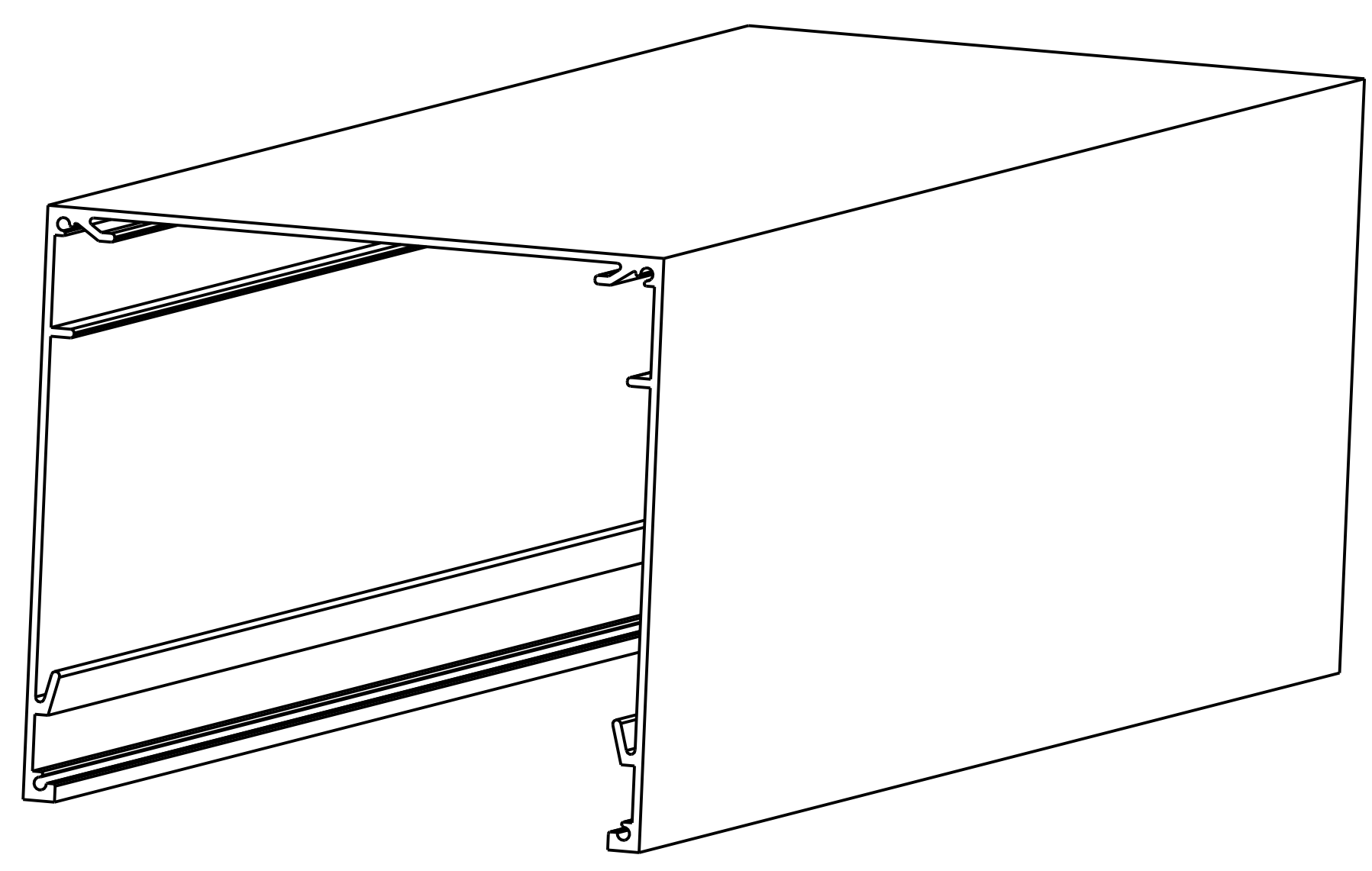
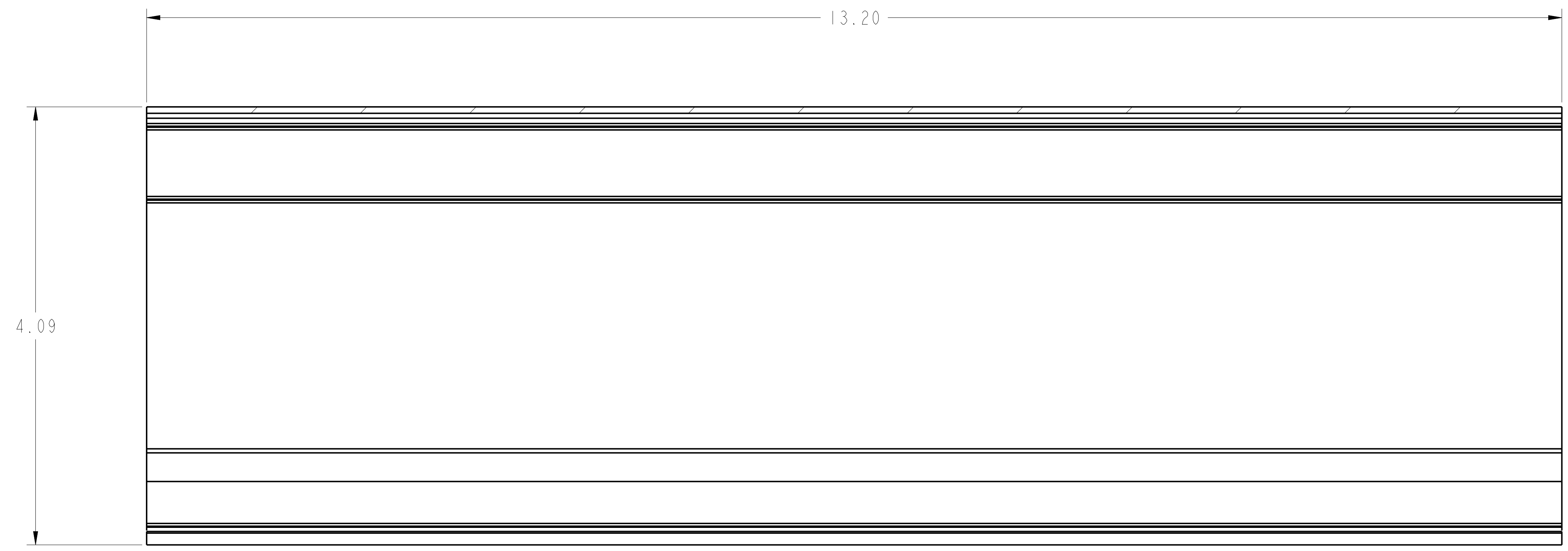
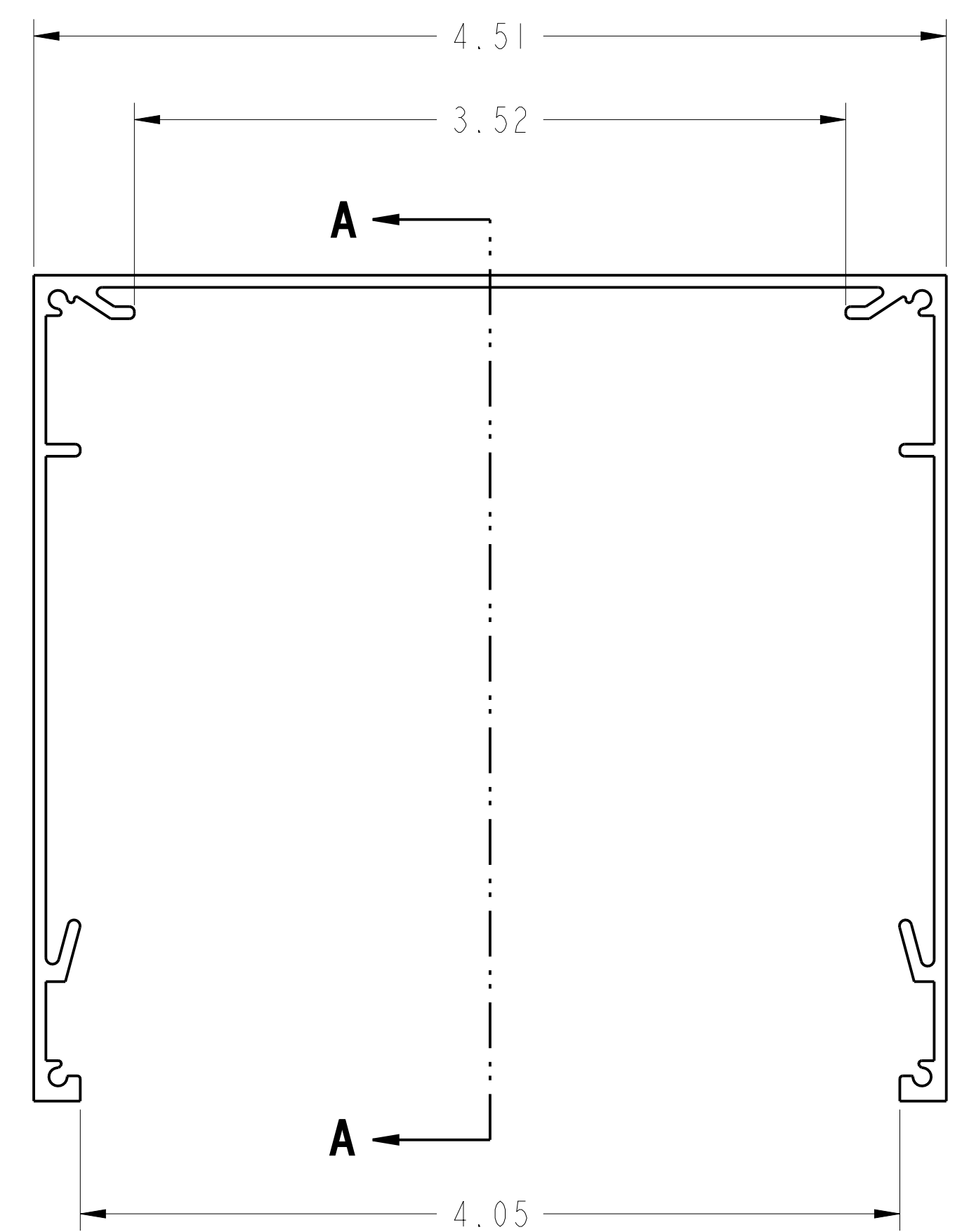


| REVISION RECORD | | | | |
|-----------------|-------------------------|-----|---------|-----|
| SYM | DESCRIPTION | BY | DATE | CHK |
| E | CUSTOMER INSPECTION DRG | JSG | 08NOV12 | |



| | | |
|--------------|--|------------------|
| W117P 200 07 | CLEAR ANODIZE PER MIL-A-8625 TYPE II CLASS I - SATIN | 192 +.125/- .000 |
| W117P 200 06 | CLEAR ANODIZE PER MIL-A-8625 TYPE II CLASS I - SATIN | 168 +.125/- .000 |
| W117P 200 05 | ELECTROSTATIC PAINT PPG UC45315 - MED BRONZE | 192 +.125/- .000 |
| W117P 200 04 | ELECTROSTATIC PAINT PPG UC45315 - MED BRONZE | 168 +.125/- .000 |
| W117P 200 03 | ELECTROSTATIC PAINT PPG UC50369 - COLONIAL WHITE | 192 +.125/- .000 |
| W117P 200 02 | ELECTROSTATIC PAINT PPG UC50369 - COLONIAL WHITE | 168 +.125/- .000 |
| W117P 200 01 | ELECTROSTATIC PAINT PPG UC76584 - WHITE | 192 +.125/- .000 |
| W117P 200 00 | ELECTROSTATIC PAINT PPG UC76584 - WHITE | 168 +.125/- .000 |
| DRAWING NO | FINISH - SEE NOTE 11 | LENGTH |

SBT ITEM NUMBER RCCP4A - ANODIZED
RCCP4W - WHITE

| | | | | |
|--|------------|---|---|--|
| THIS INFORMATION IS CONFIDENTIAL AND PROPRIETARY TO ROLLESE, INC. THE POSSESSOR AGREES TO MAINTAIN THIS INFORMATION AS CONFIDENTIAL, NOT REPRODUCING OR REVEALING IT IN WHOLE OR IN PART TO ANY THIRD PARTY. | INCHES | RollEase Window Covering Systems | | |
| | TOLERANCES | X.XX : ± 0.015 X.XXX : ± 0.005 ANG : ± 1° | USED ON CONTACT SERIES MATL SEE DETAIL DRG | SOLID E.3 |
| | DATE | DRAWN BY JSG | TITLE POCKET, CEILING 4" | REV E |
| | 08NOV12 | DATE 08NOV12 | SCALE 2/1 | ENGINEERING DRAWING NUMBER W117P200 |