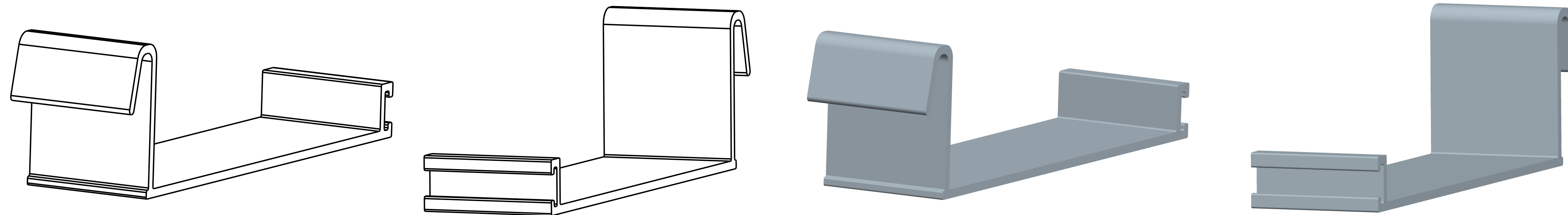
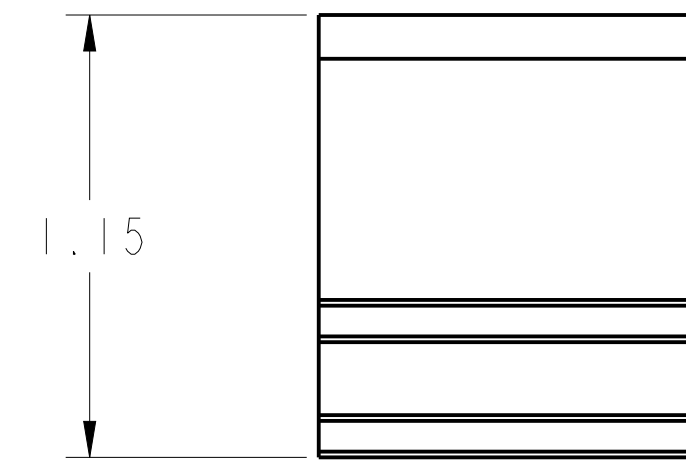
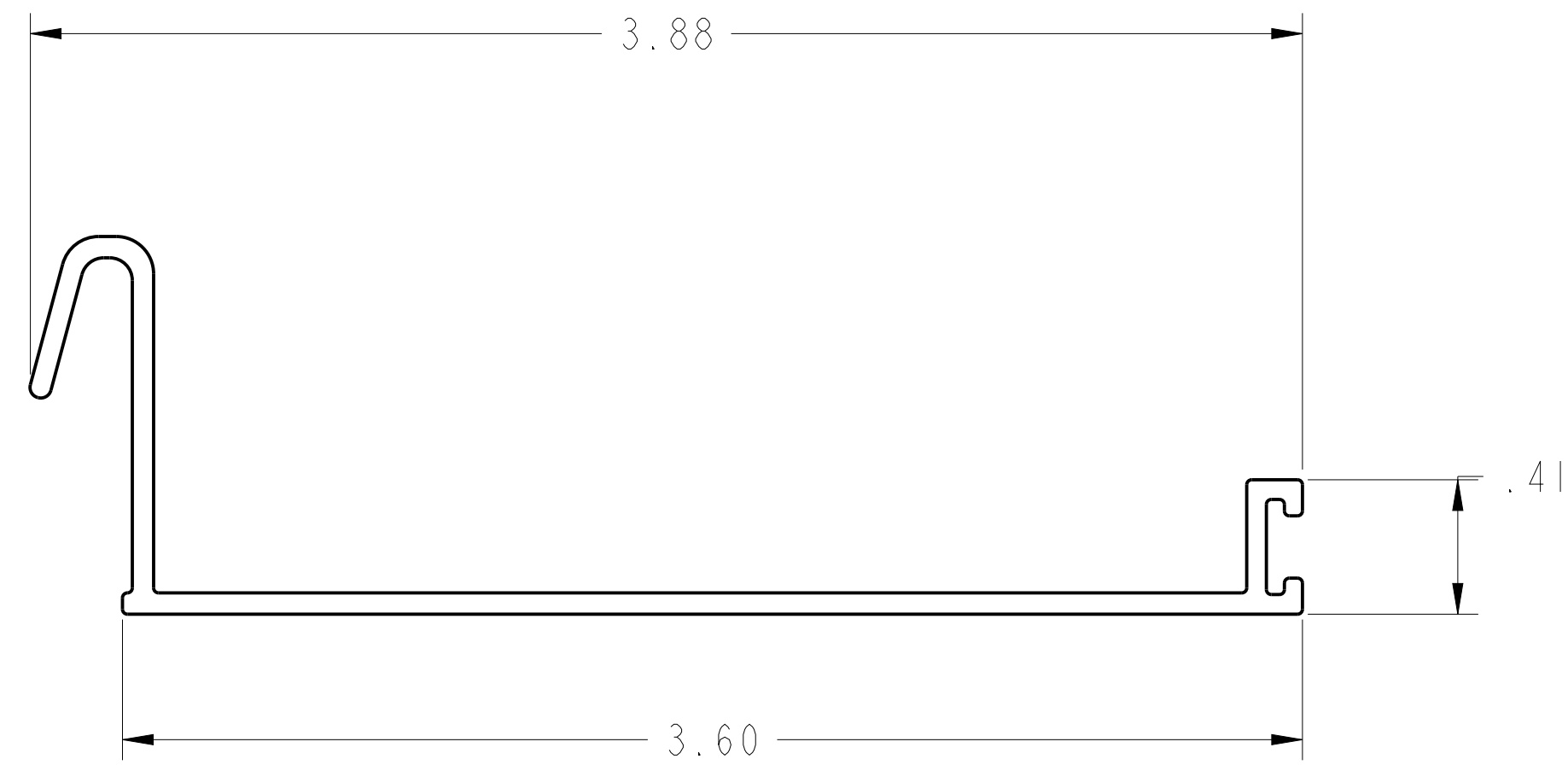


REVISION RECORD				
SYM	DESCRIPTION	BY	DATE	CHK
A	CUSTOMER INSPECTION DRG	JSG	08NOV12	



SBT ITEM NUMBER: RCBC6

THIS INFORMATION IS CONFIDENTIAL AND PROPRIETARY TO ROLLESE, INC. THE PROSESSOR AGREES TO MAINTAIN THIS INFORMATION AS CONFIDENTIAL, NOT REPRODUCING OR REVEALING IT IN WHOLE OR IN PART TO ANY THIRD PARTY.	INCHES	RollEase Window Covering Systems		
	TOLERANCES	USED ON	CONTRACT SERIES	MATL
	X.XX : ± 0.015	DRAWN BY	TITLE	SEE DETAIL DRG
	X.XXX : ± 0.005	JSG	CLOSURE, BOTTOM 6 INCH	SOLID A.3
ANG : ± 1°	DATE	SCALE	ENGINEERING DRAWING NUMBER	REV
	08NOV12	D	2/1	WI17P626
				A