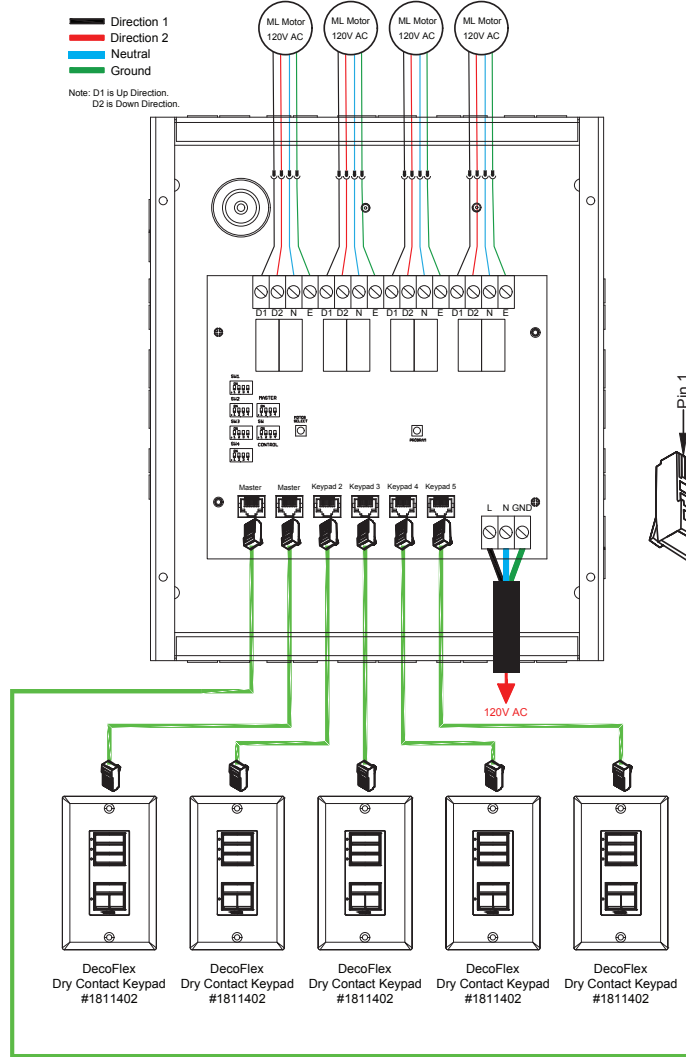


ROLLEASE ACMEDA CONTRACT PROGRAM

WIRING DIAGRAM - AUTOMATE ML MOTORS AND SOMFY CONTROLLER

WIRING DIAGRAM



IGC4n1
Utilizing RJ-45 TIA-568B termination standard

Pin #	Color	Function
1	Orange White	IP 1
2	Orange	IP 2
3	Green White	IP 3
4	Blue	12V +
5	Blue White	N/A
6	Green	Down
7	Brown White	Up
8	Brown	Ground

