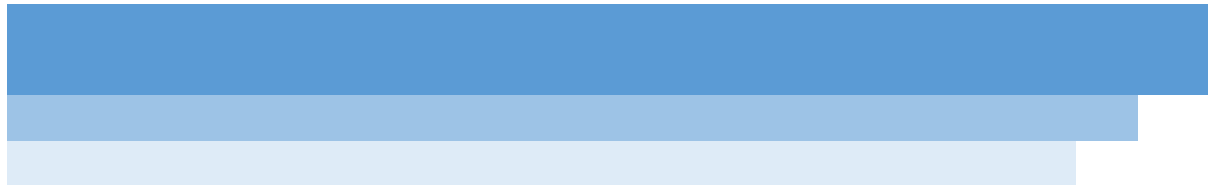


EASY SPRING ULTRA INSTALLATION MANUAL



April 2018

CONTENTS

April 2018

This manual is to be read in conjunction with the Product Specifications & Assembly manual

SECTION NO.	DESCRIPTION	PAGE NO.
SECTION 1	- ITEMS REQUIRED	1.1
SECTION 2	- INSTALLATION	2.1
	PART A – PREPARING INSTALLATION SPACE	2.1
	PART B – MOUNTING BRACKET AND SHADE INSTALLATION	2.1
	PART C PRETENSION CHECKS	2.3
	PART D – SET LIMITS	2.2
SECTION 3	- TROUBLESHOOTING	3.1

DISCLAIMER

INTRODUCTION

This Installation manual has been produced by Rollease Acmeda to supply the necessary information for safe and correct installation of this system.

INSTALLERS RESPONSIBILITY

Before installing, please read & ensure you understand the safety information and installation instructions as defined in this installation manual.

- If you do not fully understand these instructions, contact Rollease Acmeda for clarification before installing.
- The Installer is responsible to ensure that all installation personnel have been adequately trained on the safe & correct installation and operation.
- The Installer is responsible to ensure that a Job Safety Analysis or Safe Work Method Statement is completed prior to installation to identify hazards, to determine appropriate risk control measures and to implement the control measures.
- The Installer is responsible to ensure that supporting structures are sound and can adequately support the load.
- The Installer is responsible to ensure that the devices used to anchor the product to the supporting structure are suitable for the application.
- The fasteners provided are intended for fastener to timber. The installer is responsible for selecting fasteners that are suitable for other substrates

SAFETY INFORMATION

- Ensure Job Safety Analysis/Safe Work Method Statement is completed and actions to reduce risks are implemented.
- Ensure that electrical works are done only by a LICENSED ELECTRICIAN.
- DO NOT modify any of the components of this system.

PERSONNEL REQUIREMENTS

Only suitably trained/qualified personnel should undertake installation.

DISCLAIMER

Rollease Acmeda has used reasonable care in preparing the information included in this document, but makes no representations or warranties as to the completeness or accuracy of the information. Information is supplied upon the condition that the persons receiving the information will make their own determination as to its suitability for their purposes prior to use. Rollease Acmeda assumes no liability whatsoever for any damages incurred by you resulting from errors in or omissions from the information included herein. Rollease Acmeda reserves the right to make changes without further notice to any products to improve reliability, function or design.

COPYRIGHT

COPYRIGHT © ROLLEASE ACMEDA 2018

All rights reserved. No part of this document may be reproduced or utilized in any means, by any means, electronic or mechanical including photocopying, recordings, or by any information storage or retrieval system, without the express permission from Rollease Acmeda.

SECTION 1 – ITEMS REQUIRED

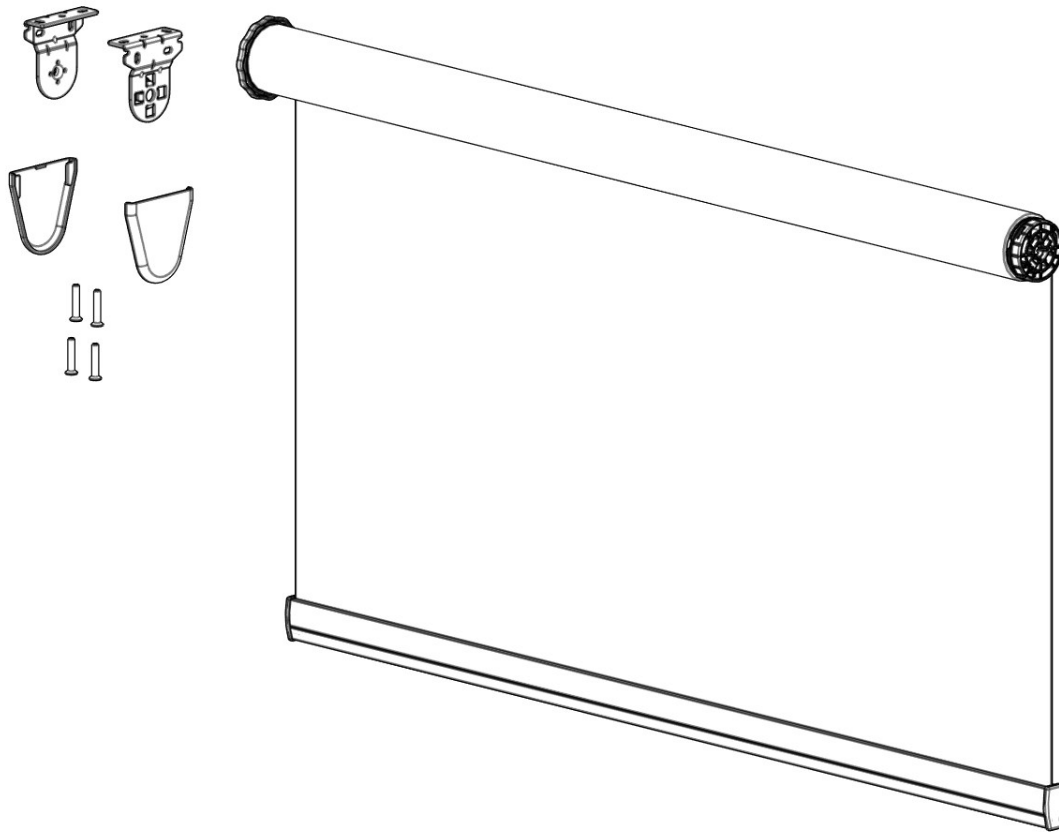
TOOLS REQUIRED

- Drill
- Drill Bits
- Measuring Tape
- Pencil
- Screw Driver - Flat Head

SHADE ITEMS REQUIRED

Check you have all items required to complete installation;

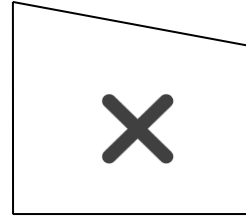
1. Shade Assembly
2. 2 x Bracket Covers
3. 2 Mounting Brackets
4. Appropriate Fasteners



SECTION 2 – INSTALLATION

PART A – PREPARING INSTALLATION SPACE

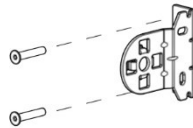
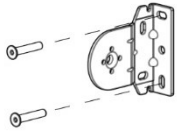
STEP 1 – ENSURE TOP OF INSTALLATION SPACE IS LEVEL



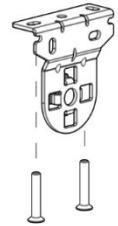
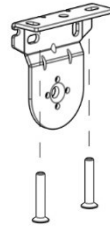
PART B – MOUNTING BRACKET AND SHADE INSTALLATION

STEP 1 – INSTALL BRACKETS TO WALL / CEILING USING APPROPRIATE FASTENERS TO SUIT APPLICATION

WALL MOUNT (FACE FIX)



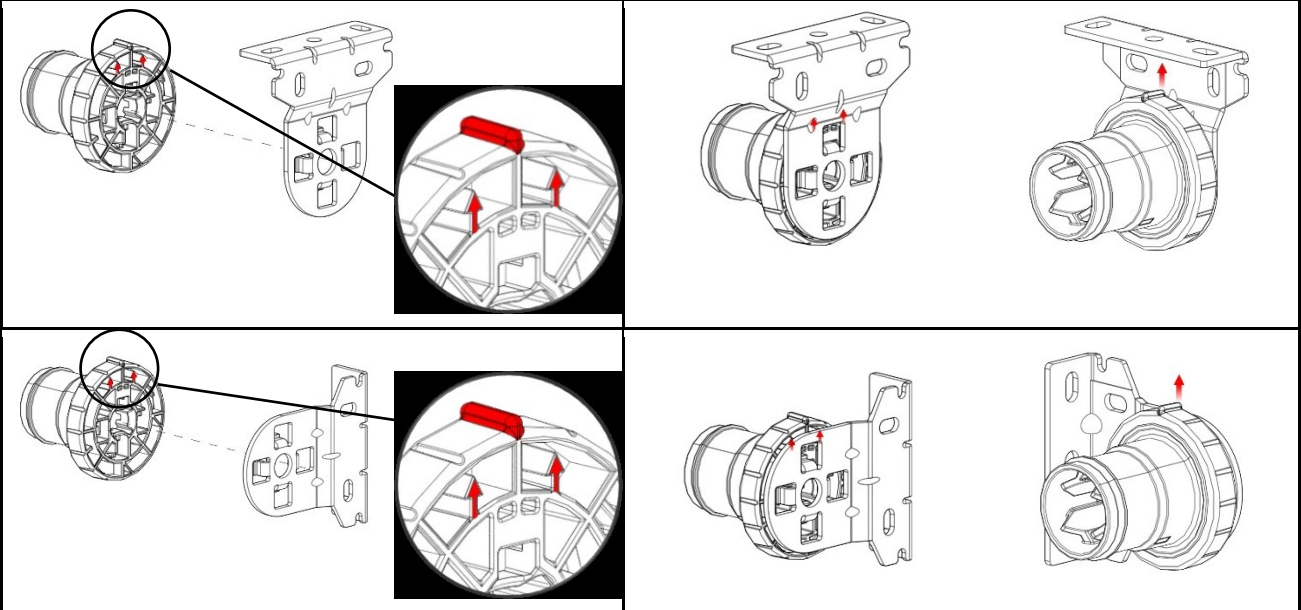
CEILING MOUNT (TOP FIX)



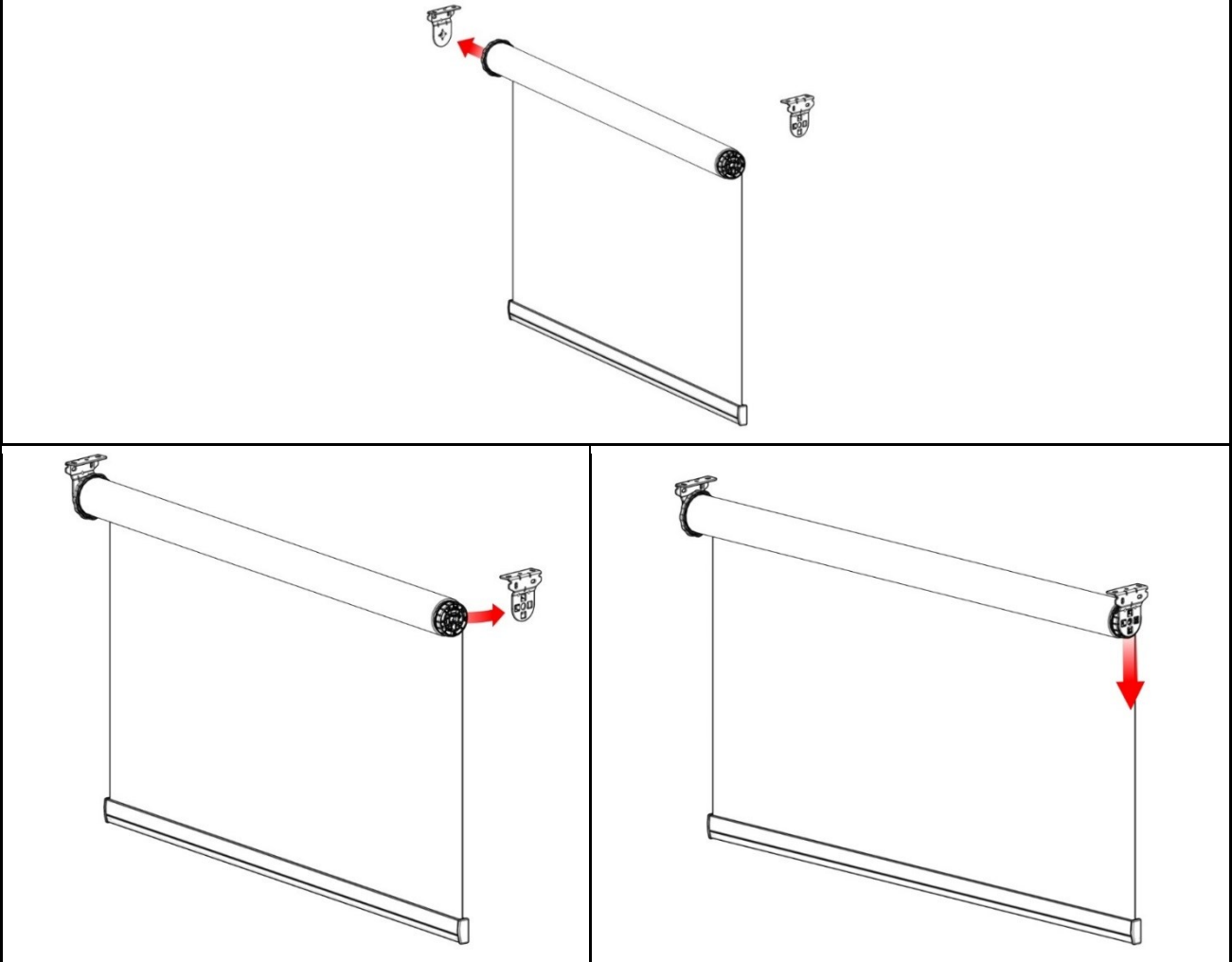
NOTE: Install additional Link bracket if required

STEP 2 – INSTALL SHADE ONTO MOUNTING BRACKETS

Ensure the Rib and Arrows on the spring control are always on top/pointing up



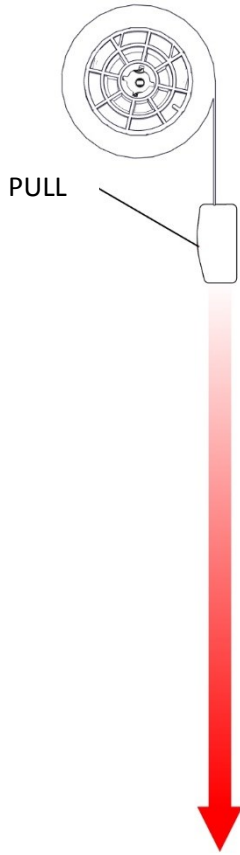
Note: Insert limiter end into bracket first



PART C PRETENSION CHECKS

STEP 1 – CHECK FUNCTIONALITY OF PRE-TENSIONED SHADE

i) **PULL** Bottom Rail down to bottom location



ii) Shade will raise within range indicated below to be locked and provide a 'Release Allowance' (for raising the shade)

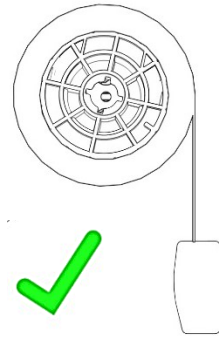


iii) **TUG** Bottom Rail (Shade will automatically rise)



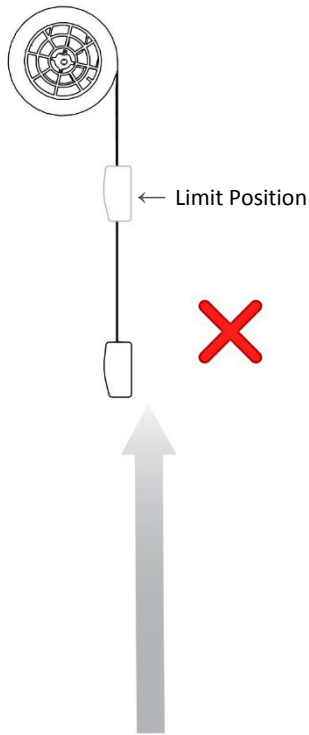
NOTE: As limits are not set, ensure Bottom Rail is controlled so shade doesn't crash into structure and damage fabric

If Bottom Rail raises at the desired speed, the correct number of pre-turns have been assigned.



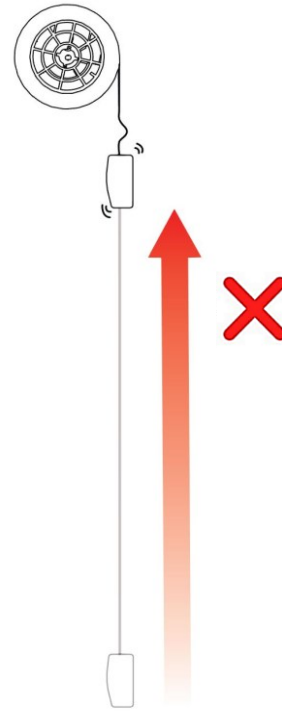
PROCEED TO PART D

If Shade stops midway or slows significantly, insufficient pre-turns have been applied.



Pre-turns to be added

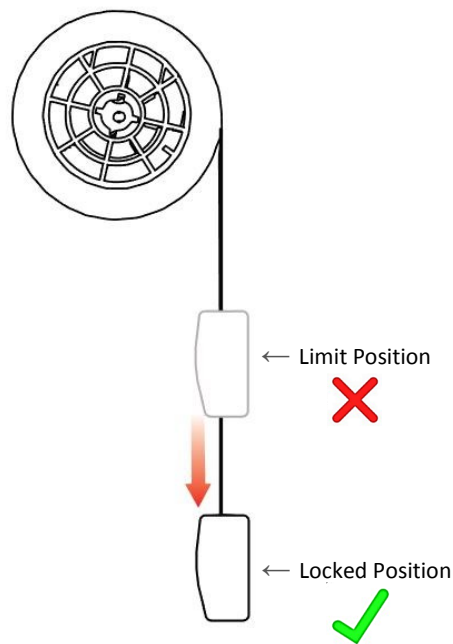
If Shade operates too fast, too many pre-turns have been applied.



Pre-turns to be removed

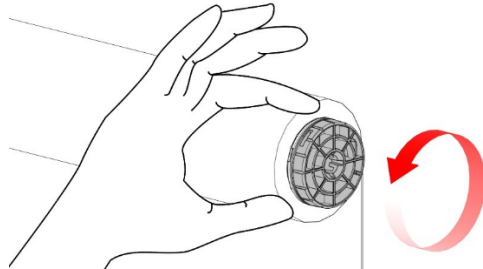
BEFORE ADDING OR REMOVING PRE-TURNS

Before removing the shade, ensure the shade is lowered slightly in its locked position. Shade must not be resting on top limit. This is to prevent the spring from losing the pretension when removing the shade from brackets.



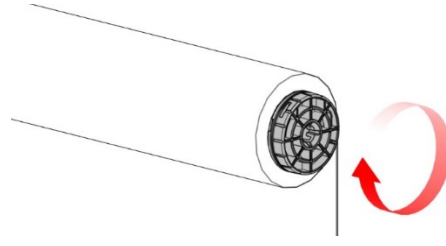
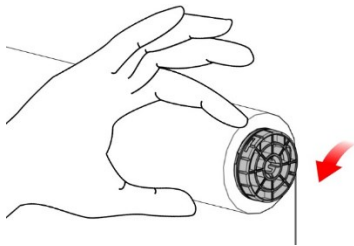
SPRING OPERATION

Adding Pre-Turns



(Pretension direction is reversed for LH control)

Removing Pre-Turns



Slightly turn spring head in the same direction to pre-tension

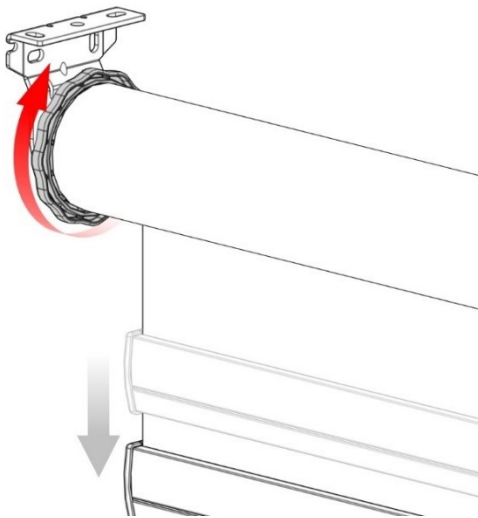
Gently release spring head whilst holding the shade firmly as the spring tension unravels itself (Spring head will spin in the opposite direction of pre-tensioning)
To lock the pretension, rotate in the pre-tension direction slightly and then allow the head to un-tension slightly and lock

PART D – SET LIMITS

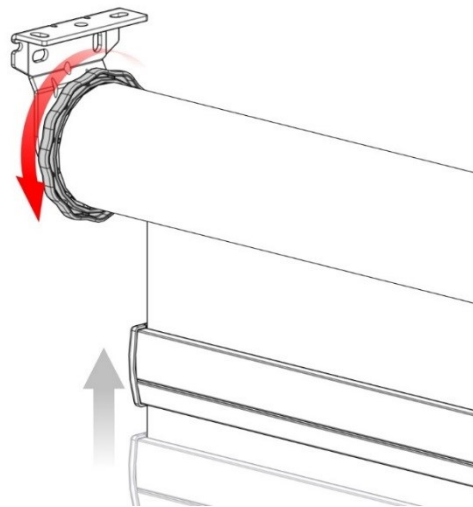
STEP 2 – SET TOP LIMIT

Ensure shade is fully raised

To lower the top limit position rotate limiter head so that the shade moves down.



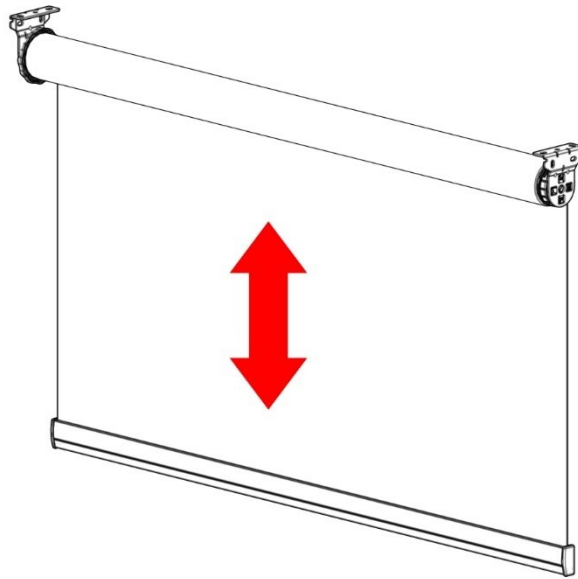
To raise the top limit position rotate limiter head so that the shade raises.
The shade must not be locked by the spring to allow hem bar to move up.



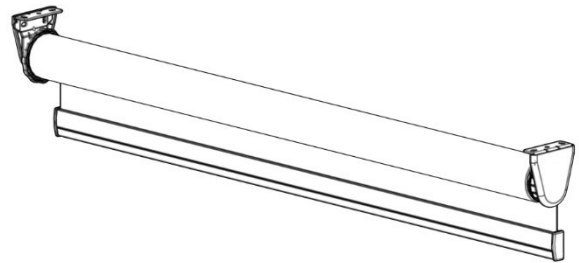
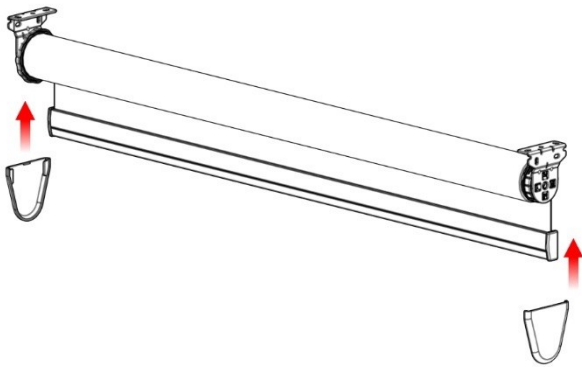
*Standard back roll shown, reverse for front roll

STEP 3 – TEST LIMITS & SHADE FUNCTIONALITY

Operate Shade up & down



STEP 4 – SLIDE END CAP COVERS OVER BRACKETS



SECTION 3 – TROUBLESHOOTING

NO.	PROBLEM	CAUSE	SOLUTION
1	Cannot find limit	Limit incorrectly Set	<ul style="list-style-type: none"> a) Allow blind to raise fully b) If the bottom rail is too high, contacting the brackets, then ... c) Wind limit adjustment wheel in the direction that would lower the shade * d) When the shade starts to lower this indicates the limit has been engaged e) Use limit adjustment wheel to raise or lower limit as required <p>* Note : If limit wheel appears to require numerous turns, raise the shade to approximate top limit position, un-install the shade from mounting brackets, remove the limiter from the tube, rotate and move limit nut to appropriate stop position. Reassemble and re-install shade to adjust top limit. Refer to "Assembly Manual Section 4, Part A, Step 4 Limit Stop Configuration"</p>
2	Erratic Behaviour Shade falls	Connector on wrong end	Remove and re-install on other end (See Assembly Manual, Section 3, Part C)
		No Pre-Turns	Add pretensions (See Section 2, Part C)
3	Shade will raise quickly	Wrong Decelerator	Remove and re-install correct Decelerator (See Assembly Manual, Section 3, Part C)
		Too many Pre-Turns	Remove Pre-Turns as per Section 2, Part C
4	Shade does not raise	Incorrect hand Booster	Remove control and re-orientate the booster (See Assembly Manual, Section 3, Part C)
		Control is not fully engaged with Booster	Remove control and check with booster (See Assembly Manual, Section 3, Part B)