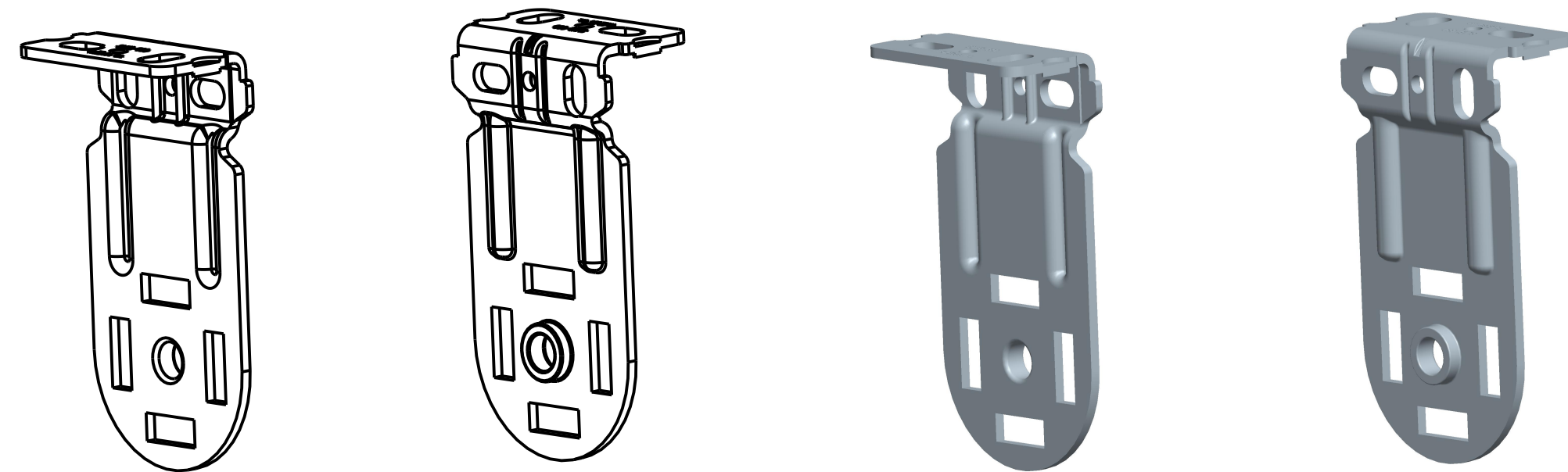
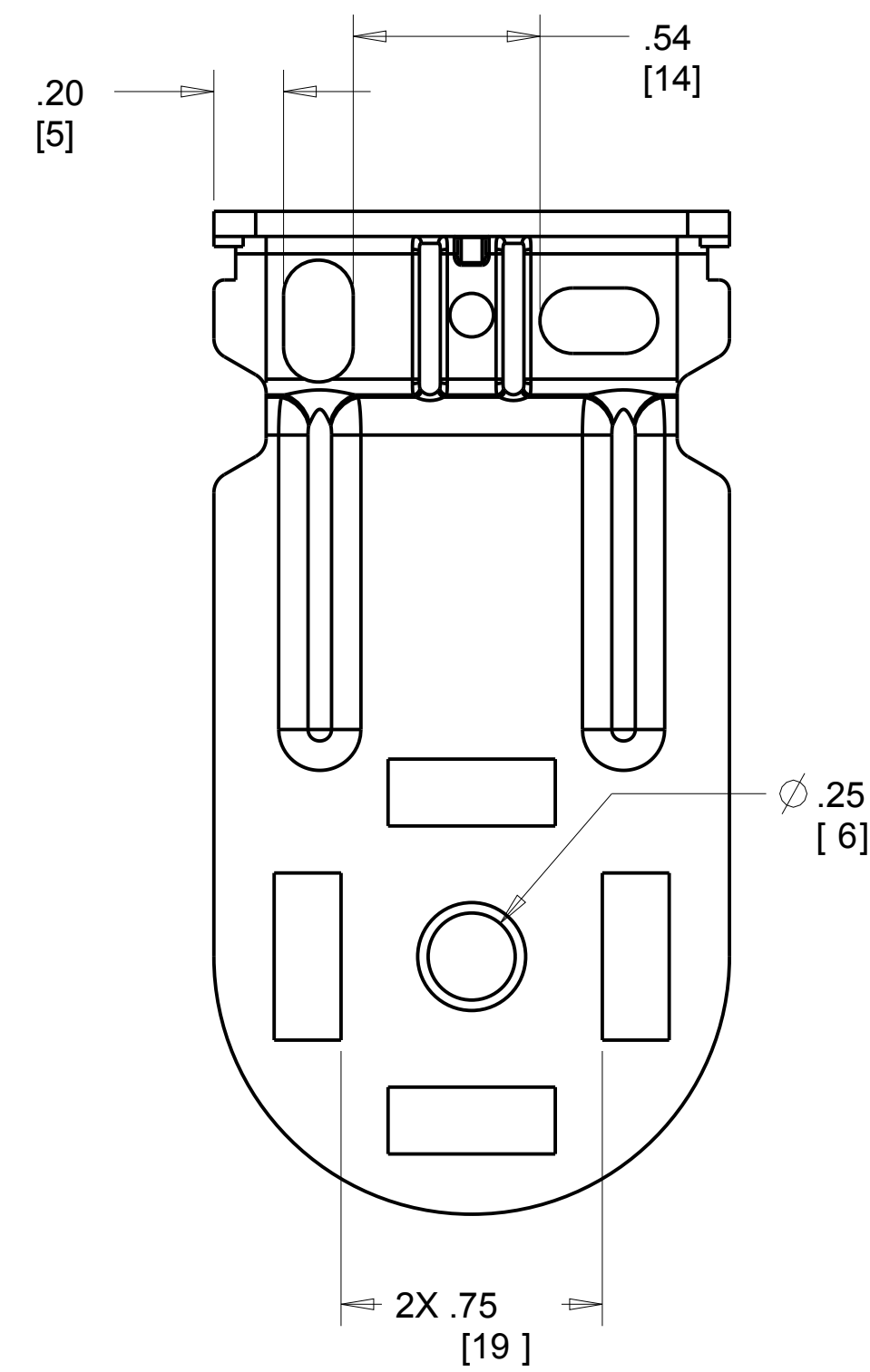
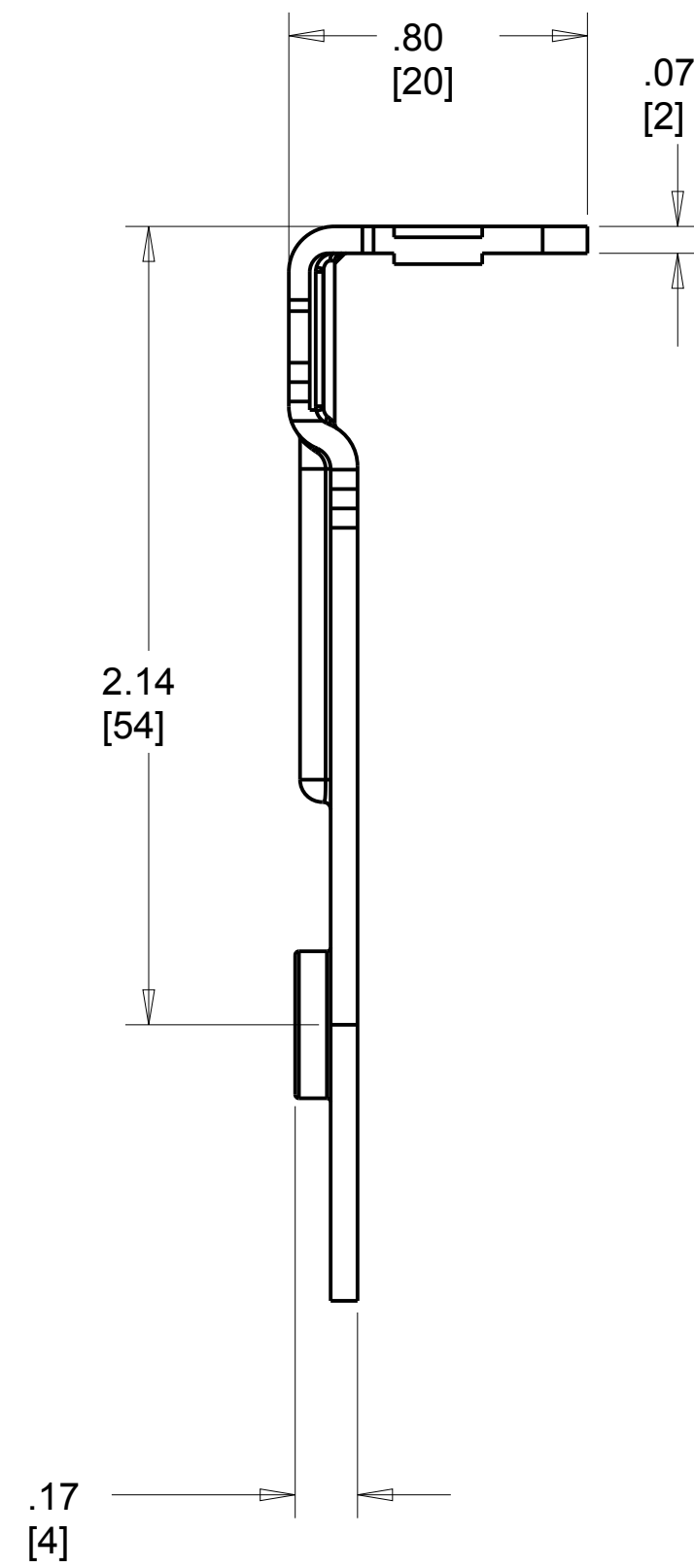
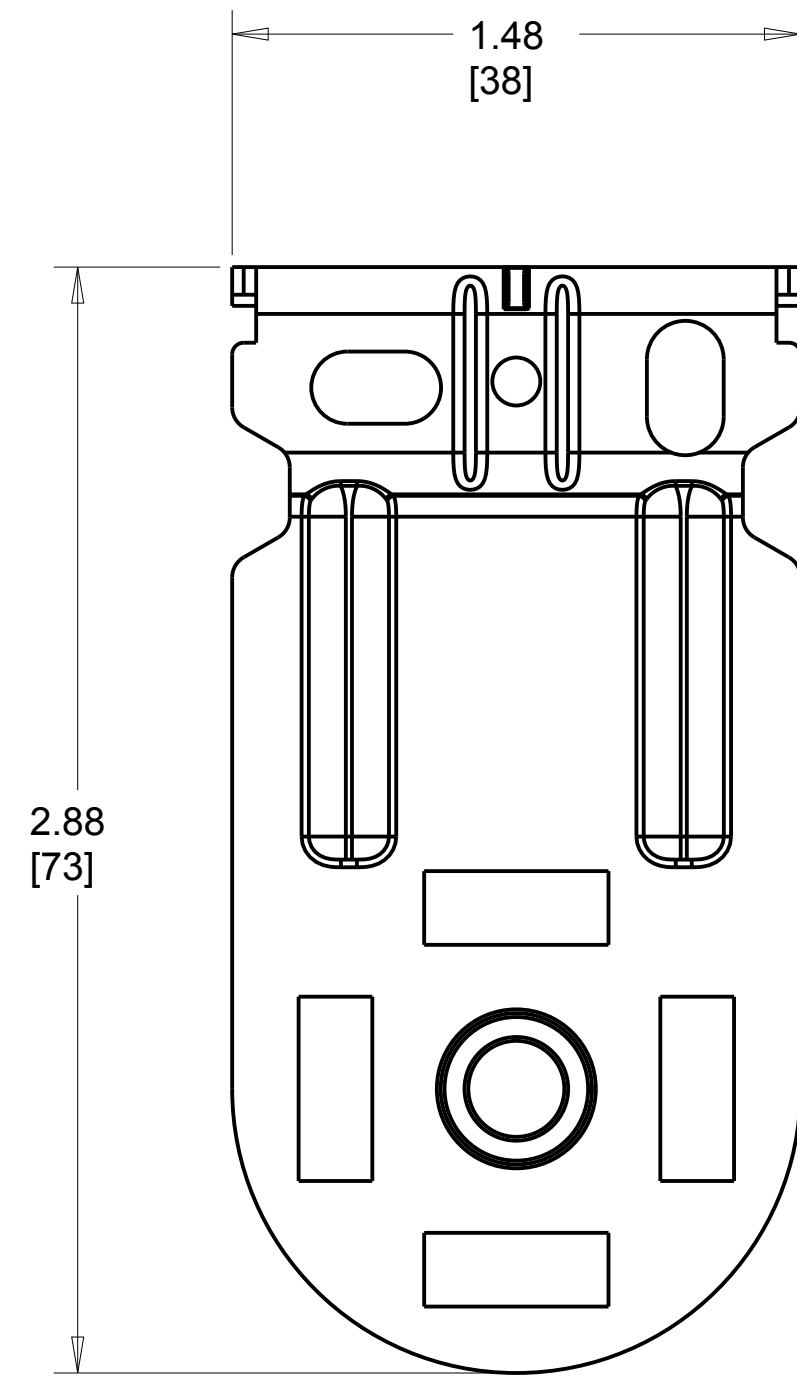
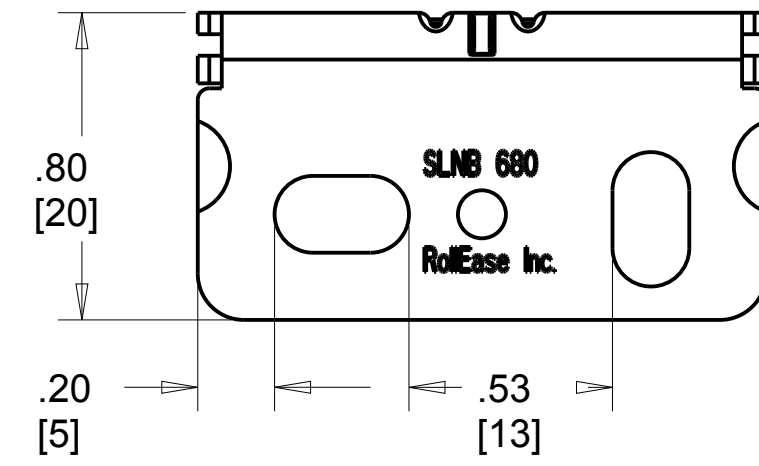


SR NO	ITEM NO	CLUTCHS	MAX ROLL DIA	ROLLEASE TUBES
1	SLNB680XX	SL10HXX SL15HXX SL20H53XX RGALHXX	DIA 4 INCH OR DIA 101.6 MM	RTEA1TXX RTEA2TXX RTEA3TXX RTEA4TXX

REVISION RECORD				
SYM	DESCRIPTION	BY	DATE	CHK
G	CUSTOMER INSPECTION DRAWING	JSG	16OCT12	



ITEM NUMBER SLNB680XX

<small>THIS INFORMATION IS CONFIDENTIAL AND PROPRIETARY TO ROLLEASE, INC. THE POSSESSOR AGREES TO MAINTAIN THIS INFORMATION AS CONFIDENTIAL, NOT REPRODUCE OR RELEASE IT IN WHOLE OR IN PART TO ANY THIRD PARTY.</small>	INCHES [MM]	RollEase <i>Window Covering Systems</i>		
	TOLERANCES	X.XX = ± 0.015	DATE: 16OCT12	SCALE: D
	X.XXX = ± 0.005	BY: JSG	TITLE: BRACKET SKYLINE NARROW 2"	REV: G.3
	ANG = ± 1 °	DATE: 16OCT12	SCALE: 2:1	ENGINEERING DRAWING NUMBER: W073P380