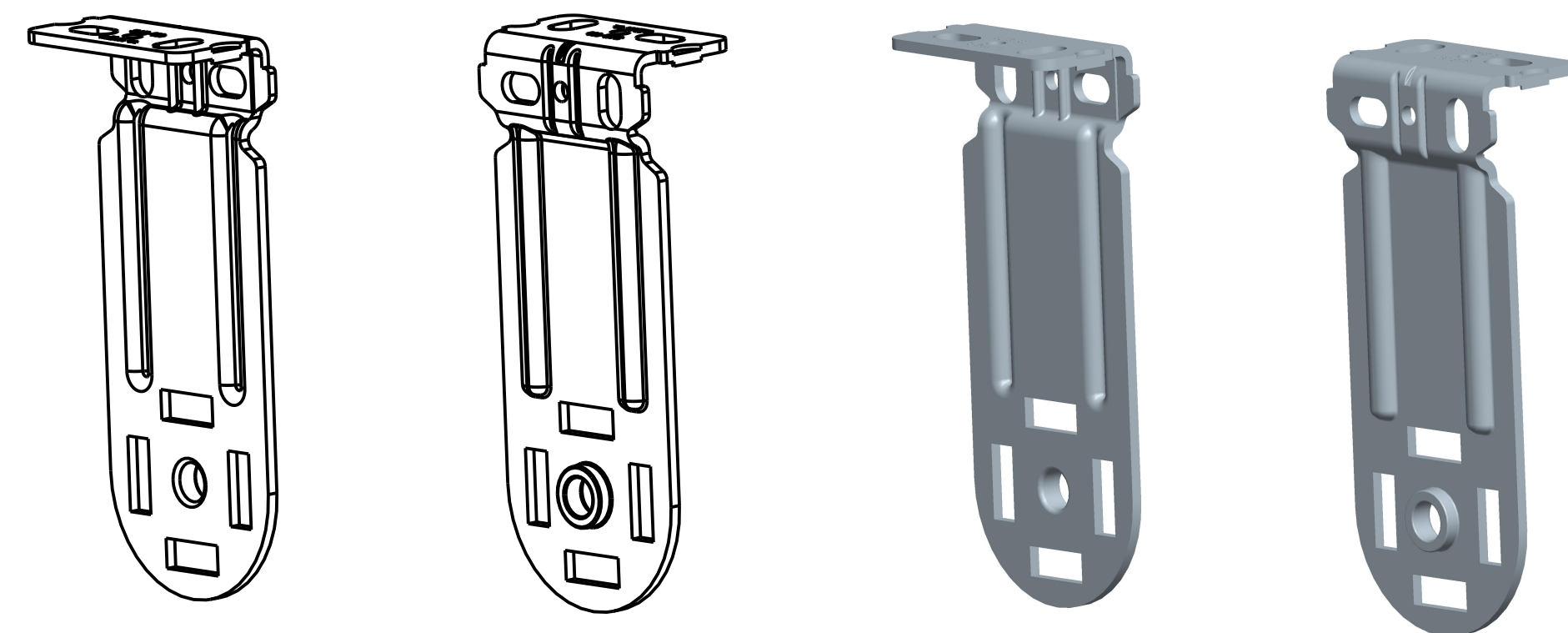
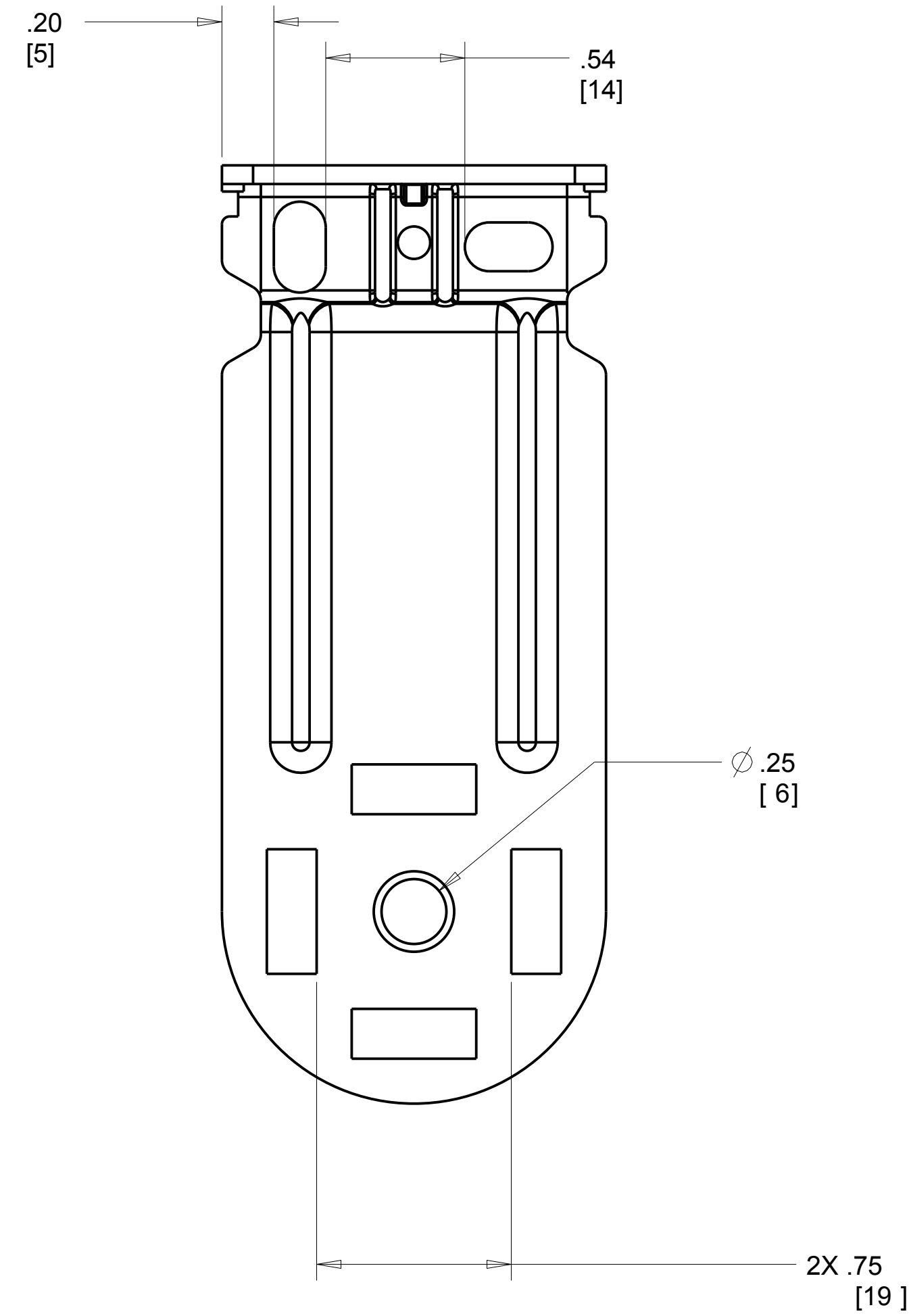
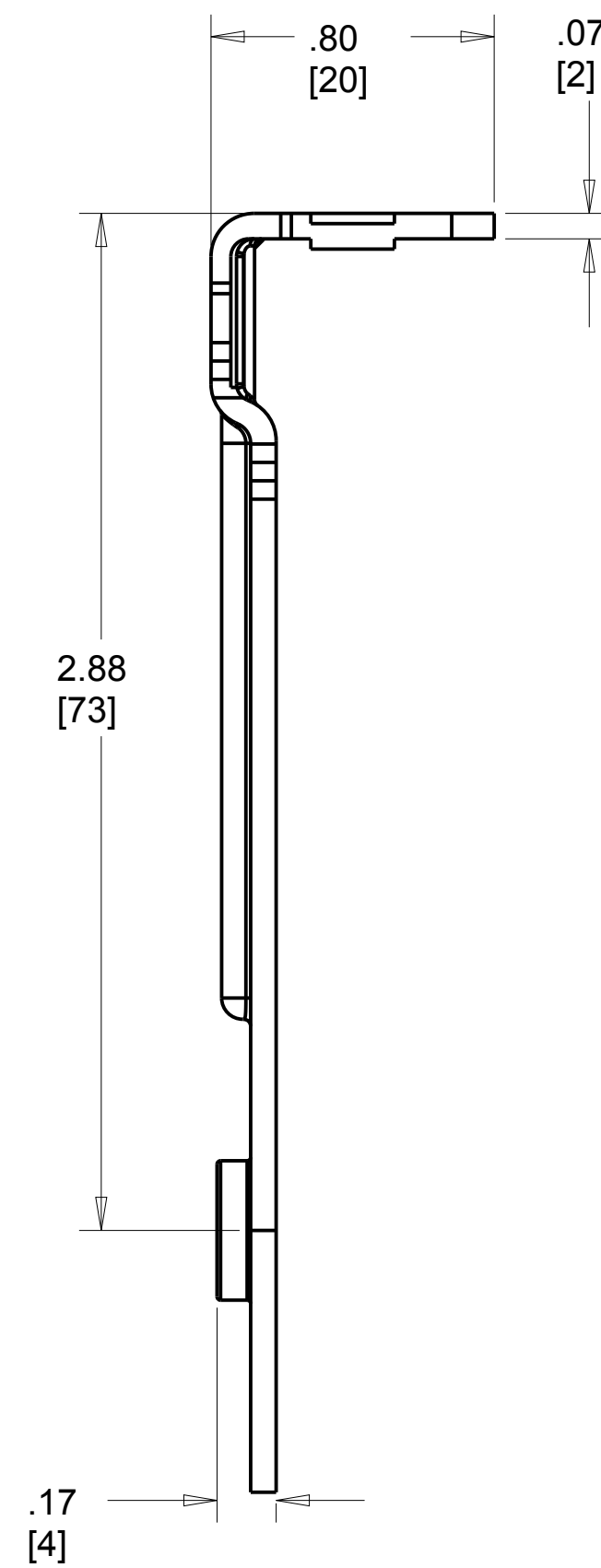
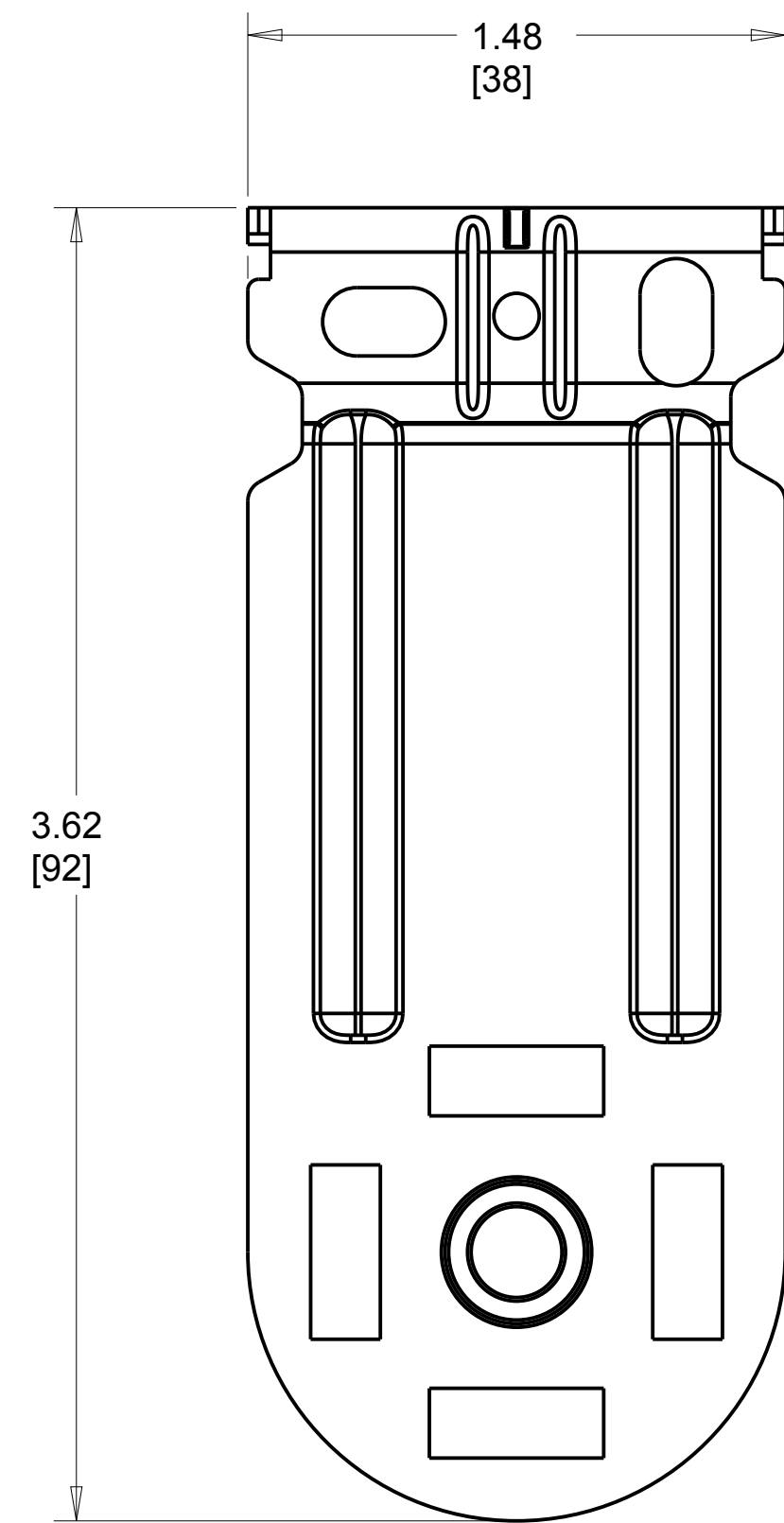
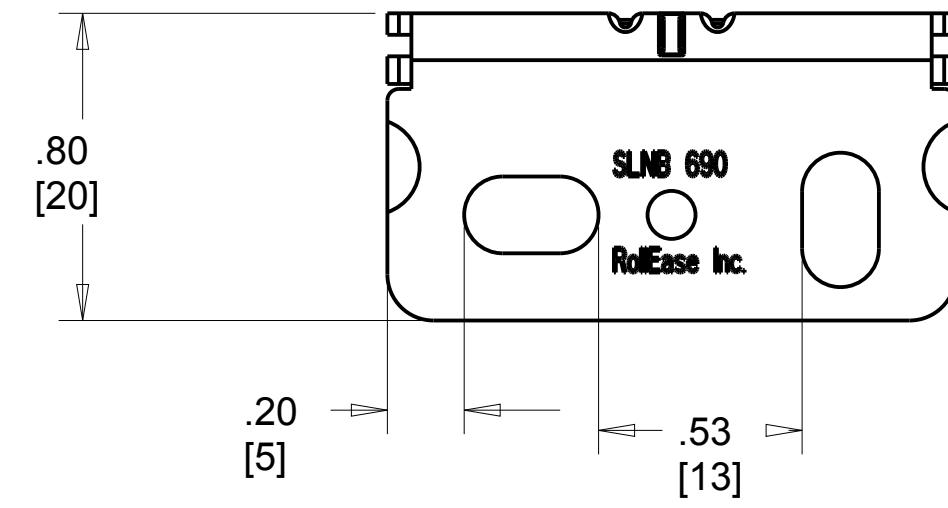


SR NO	BRACKET	CLUTCHS	MAX ROLL DIA	ROLLEASE TUBES
1	SLNB690XX	SL15HXX SL20H53XX RGALHXX RGAL400HXX SL30H53XX	DIA 5.6 INCH OR DIA 142 MM	RTEA1TXX RTEA2TXX RTEA3TXX RTEA4TXX

REVISION RECORD				
SYM	DESCRIPTION	BY	DATE	CHK
G	CUSTOMER INSPECTION DRAWING	JSG	16OCT12	



ITEM NUMBER SLNB690XX

<small>THIS INFORMATION IS CONFIDENTIAL AND PROPRIETARY TO ROLLEASE, INC. THE POSSESSOR AGREES TO MAINTAIN THIS INFORMATION AS CONFIDENTIAL, NOT REPRODUCE OR DISSEMINATE IN WHOLE OR IN PART TO ANY THIRD PARTY.</small>	INCHES [MM]	RollEase <i>Window Covering Systems</i>		
	TOLERANCES	<small>X.XX = ± 0.015</small> <small>X.XXX = ± 0.005</small> <small>ANG = ± 1 °</small>	<small>LOD: CH</small> <small>TITLE</small> JSG	<small>SEE DETAIL DRG</small> G.2
	DATE	SCALE	ENGINEERING DRAWING NUMBER	REV
	16OCT12	D 2:1	W073P390	G