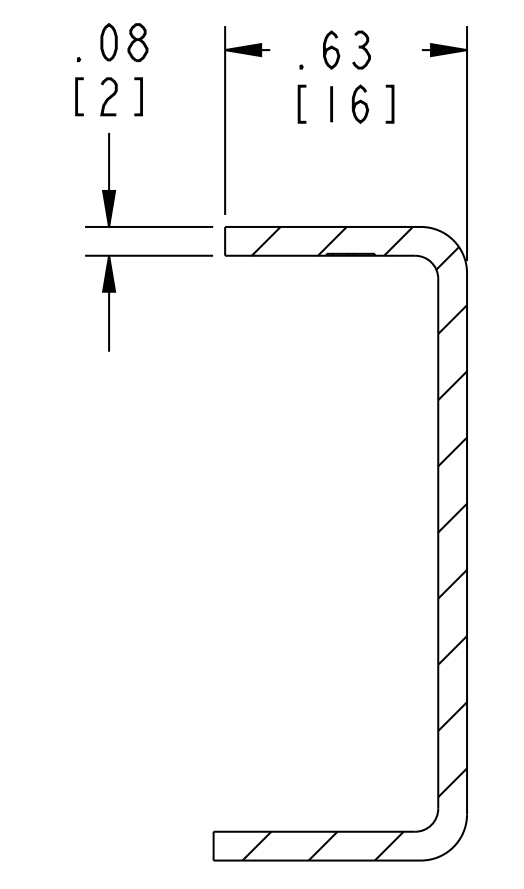
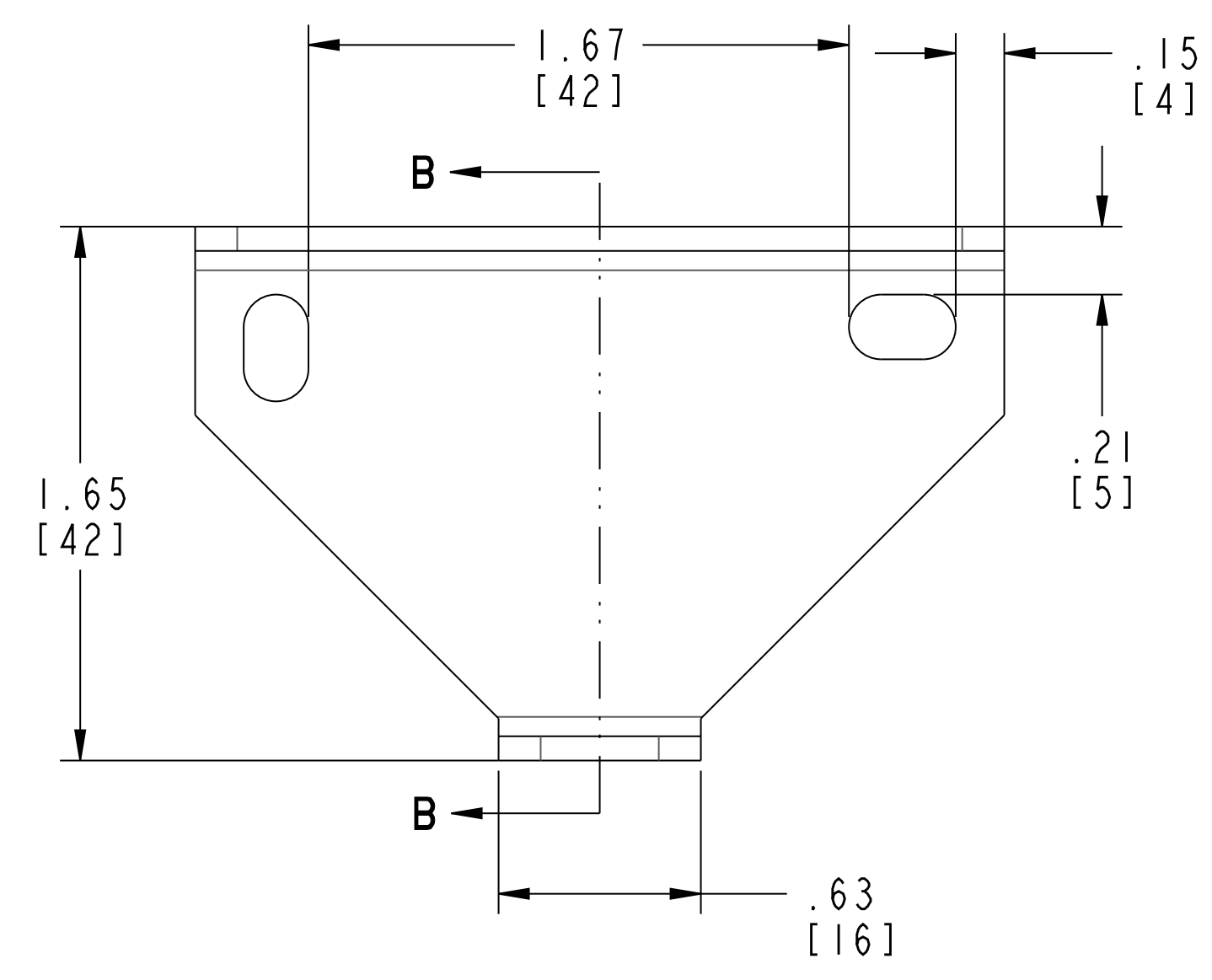
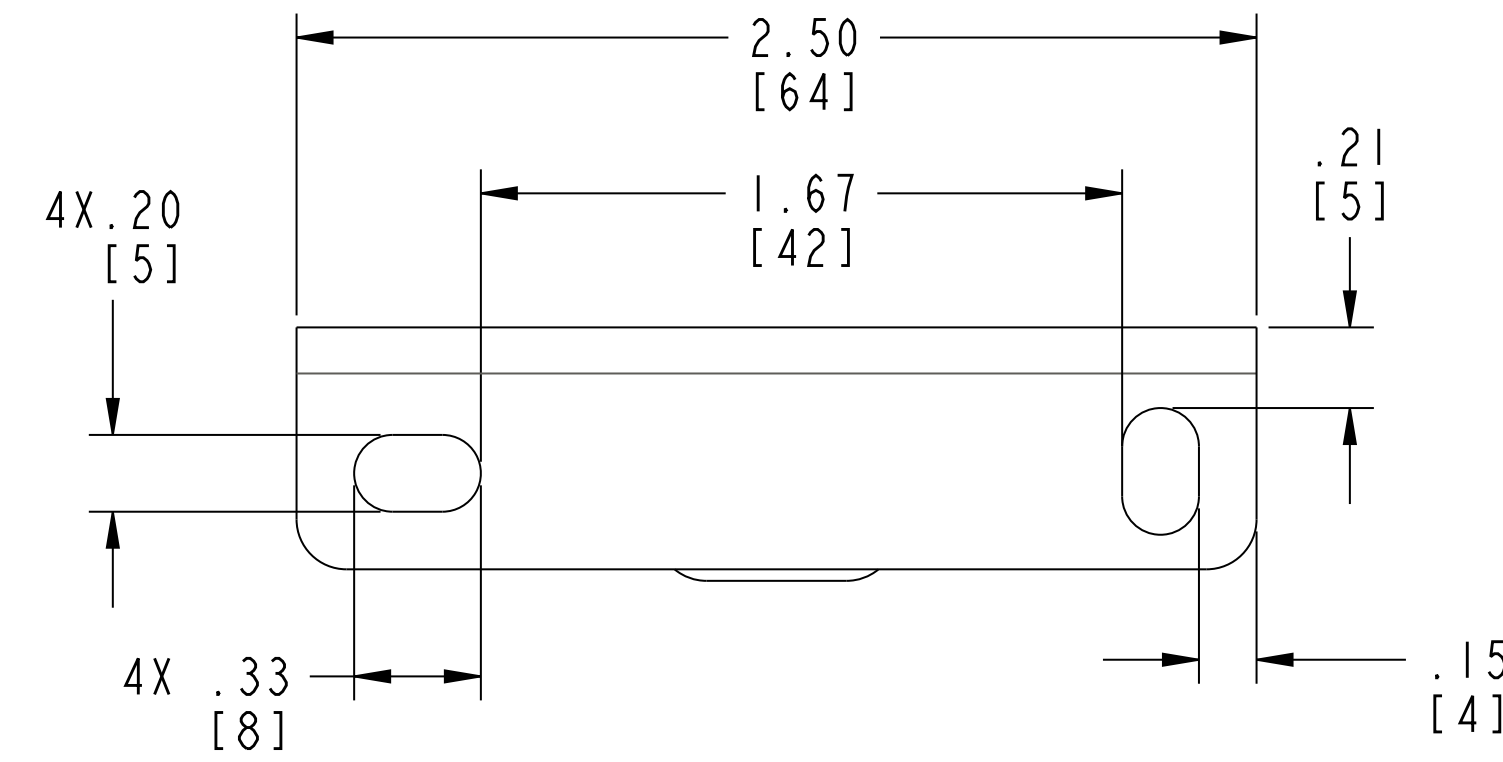
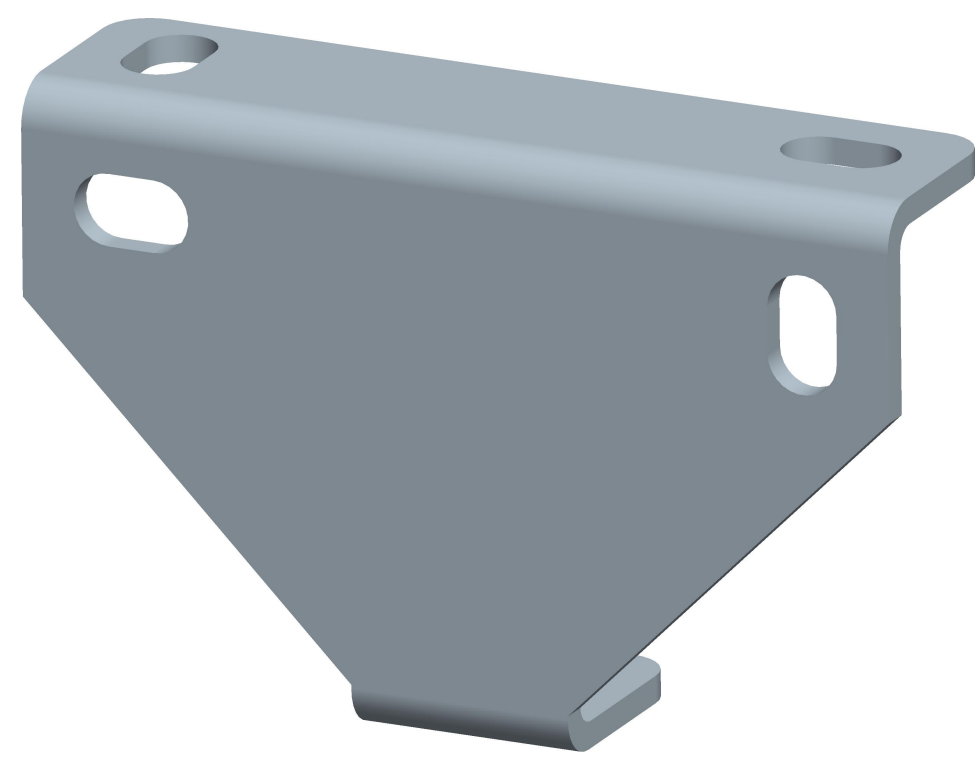
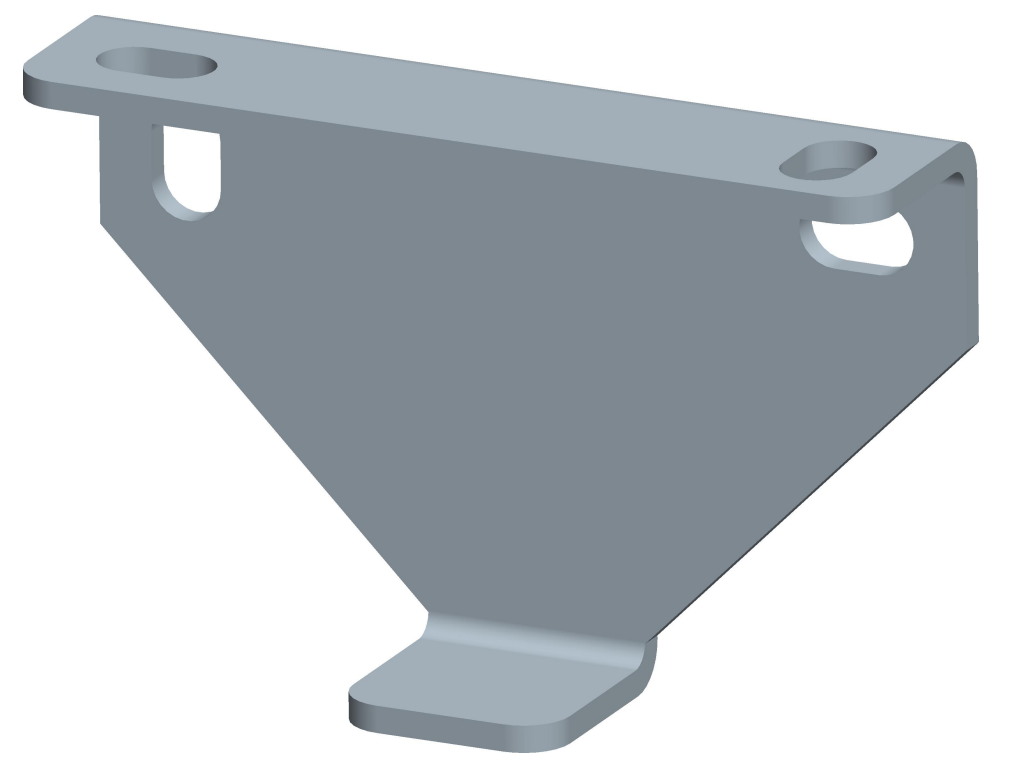
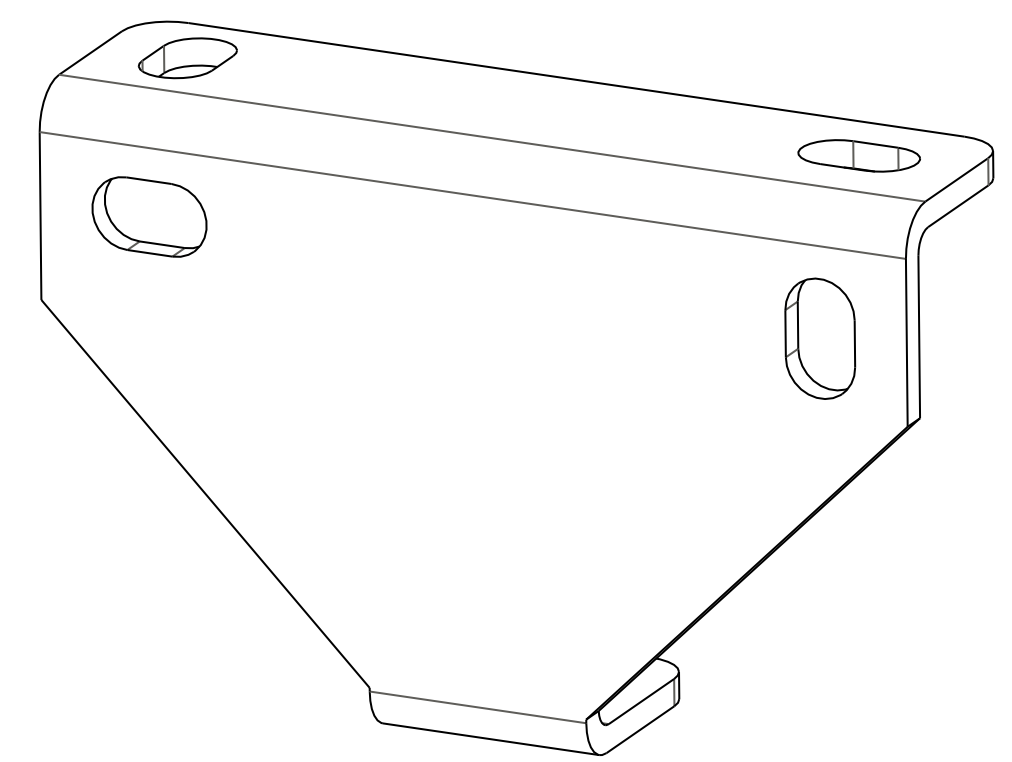
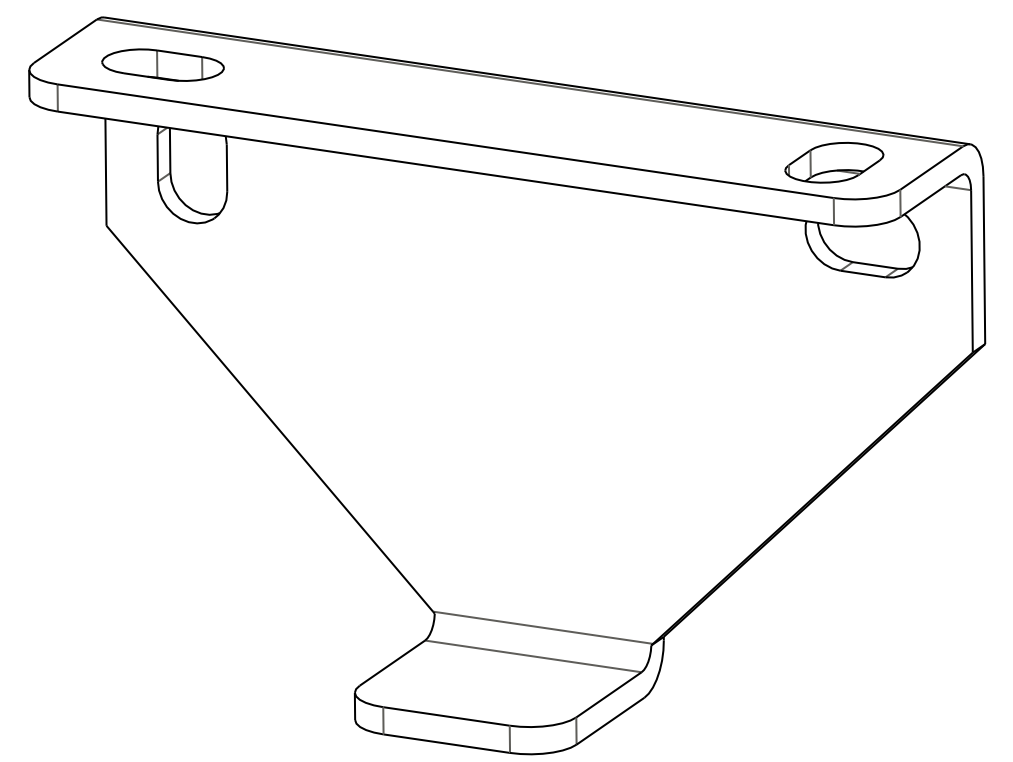


REVISION RECORD				
SYM	DESCRIPTION	BY	DATE	CHK
E	CUSTOMER INSPECTION DRAWING	JSG	16NOV11	



SECTION B-B



SR NO	SBT ITEM NO	CLUTCHS	MAX ROLL DIA	ROLLESE TUBES
1	RB560XX	R16C53	DIA 3.0 INCH OR DIA 76 MM	RTEA4TXX RTEA5TXX

THIS INFORMATION IS CONFIDENTIAL AND PROPRIETARY TO ROLLESE, INC. THE PROSESSOR AGREES TO MAINTAIN THIS INFORMATION AS CONFIDENTIAL, NOT REPRODUCING OR REVEALING IT IN WHOLE OR IN PART TO ANY THIRD PARTY.	INCHES	<b>RollEase</b> Window Covering Systems			
	TOLERANCES	USED ON	TITLE	RIG	MATL
	X.XX : ± 0.015	JSG	RB560 BRACKET		
	X.XXX : ± 0.005	D	R16 1-1/2 INCH		
ANG : ± 1°	DATE	SCALE	ENGINEERING DRAWING NUMBER	SOLID	
	11JUL11	2:1	W016P021	E.13	
				REV	
				E	