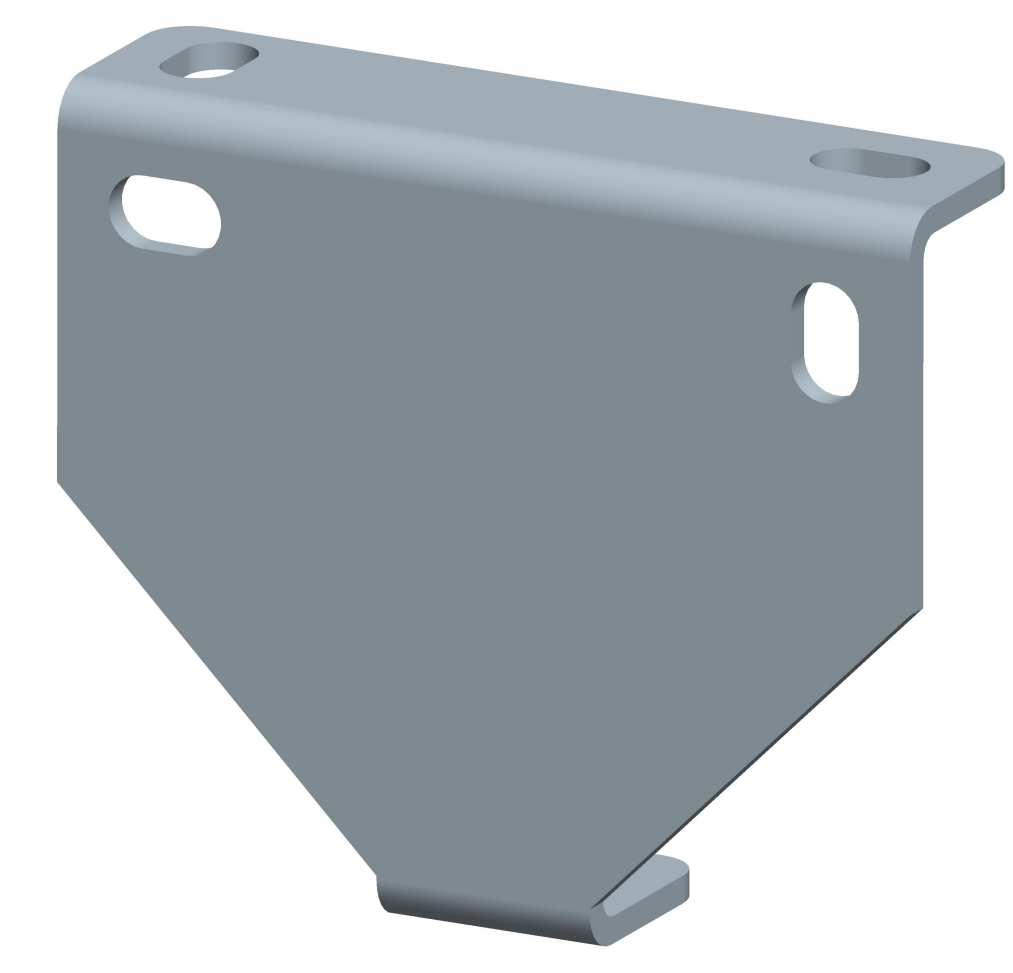
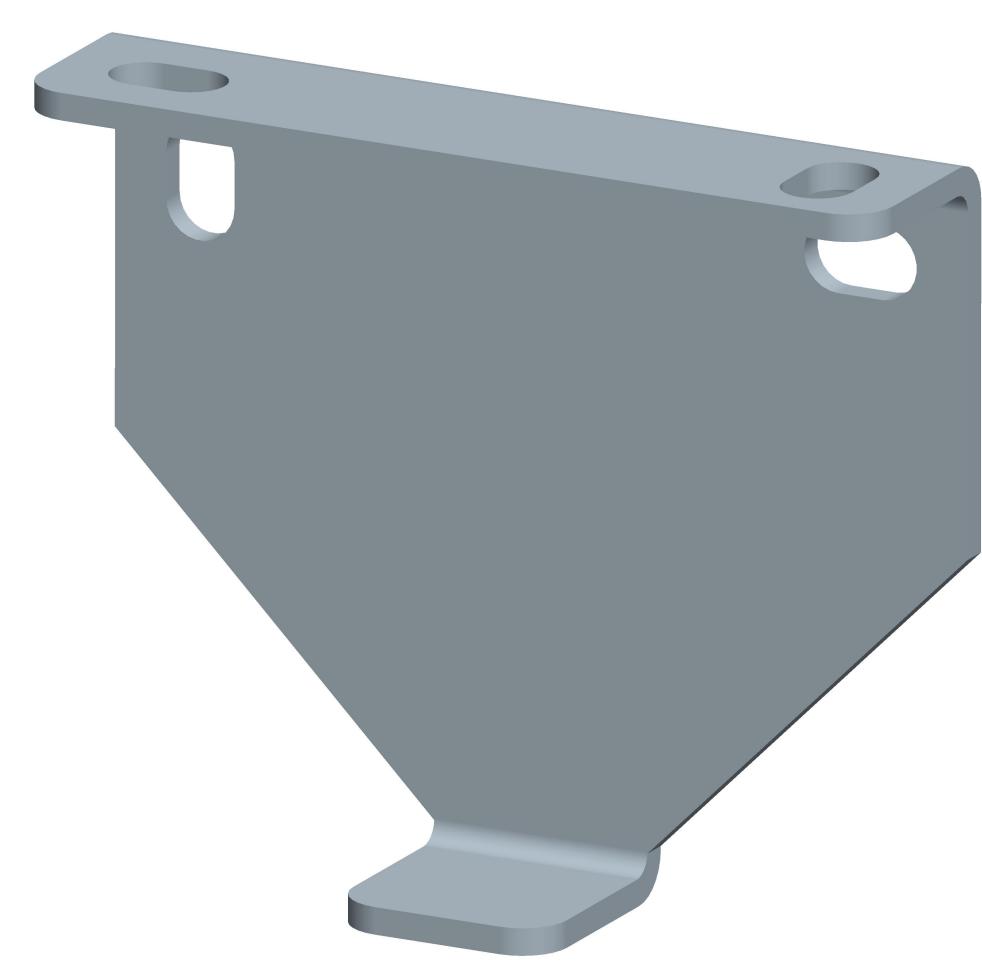
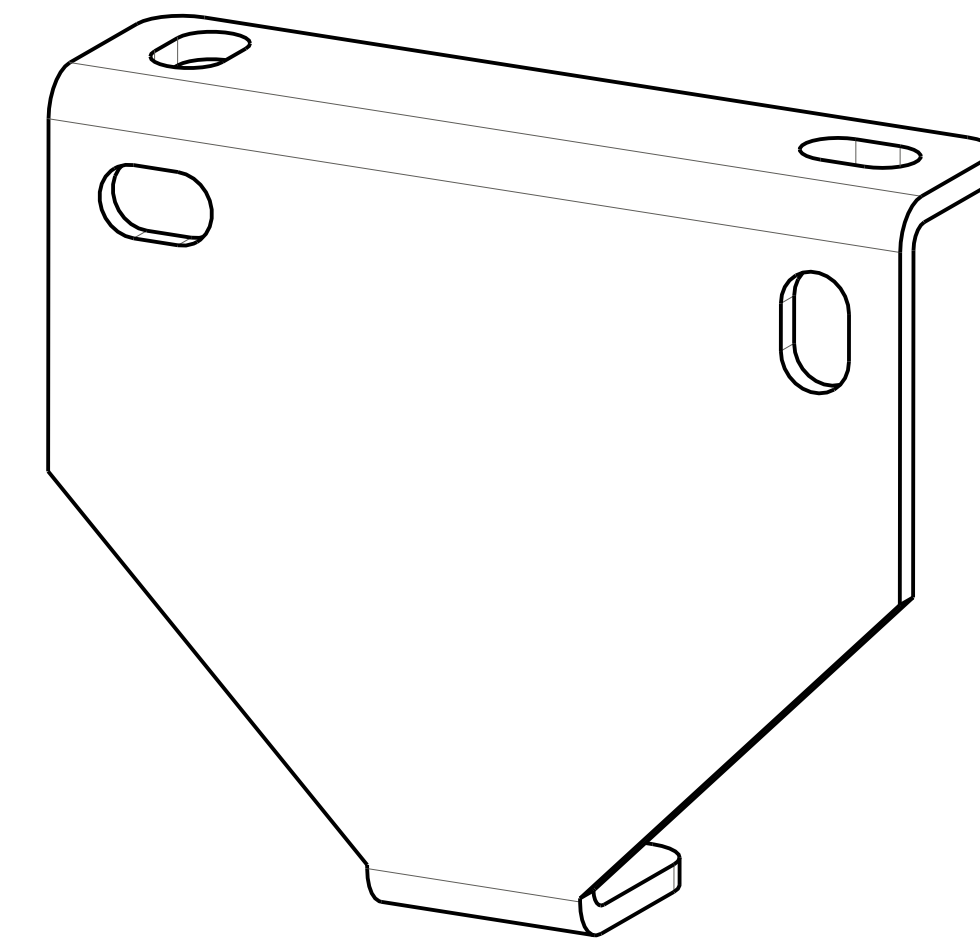
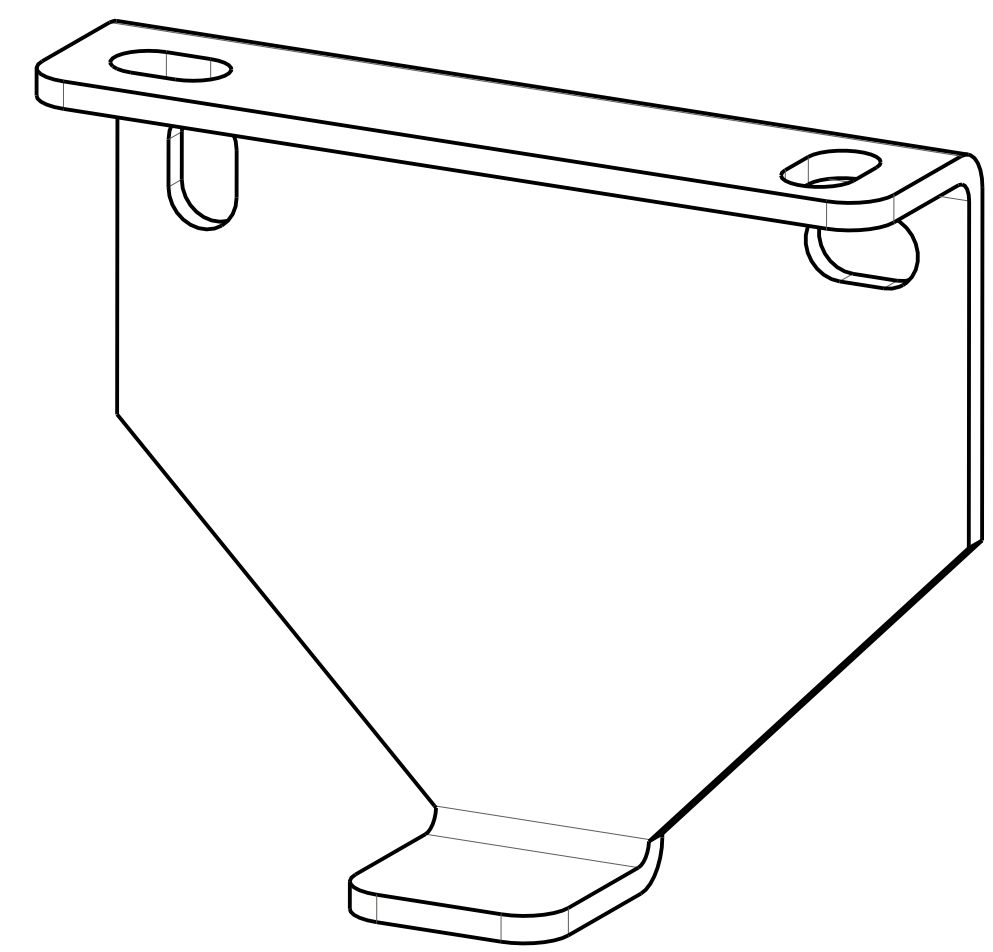
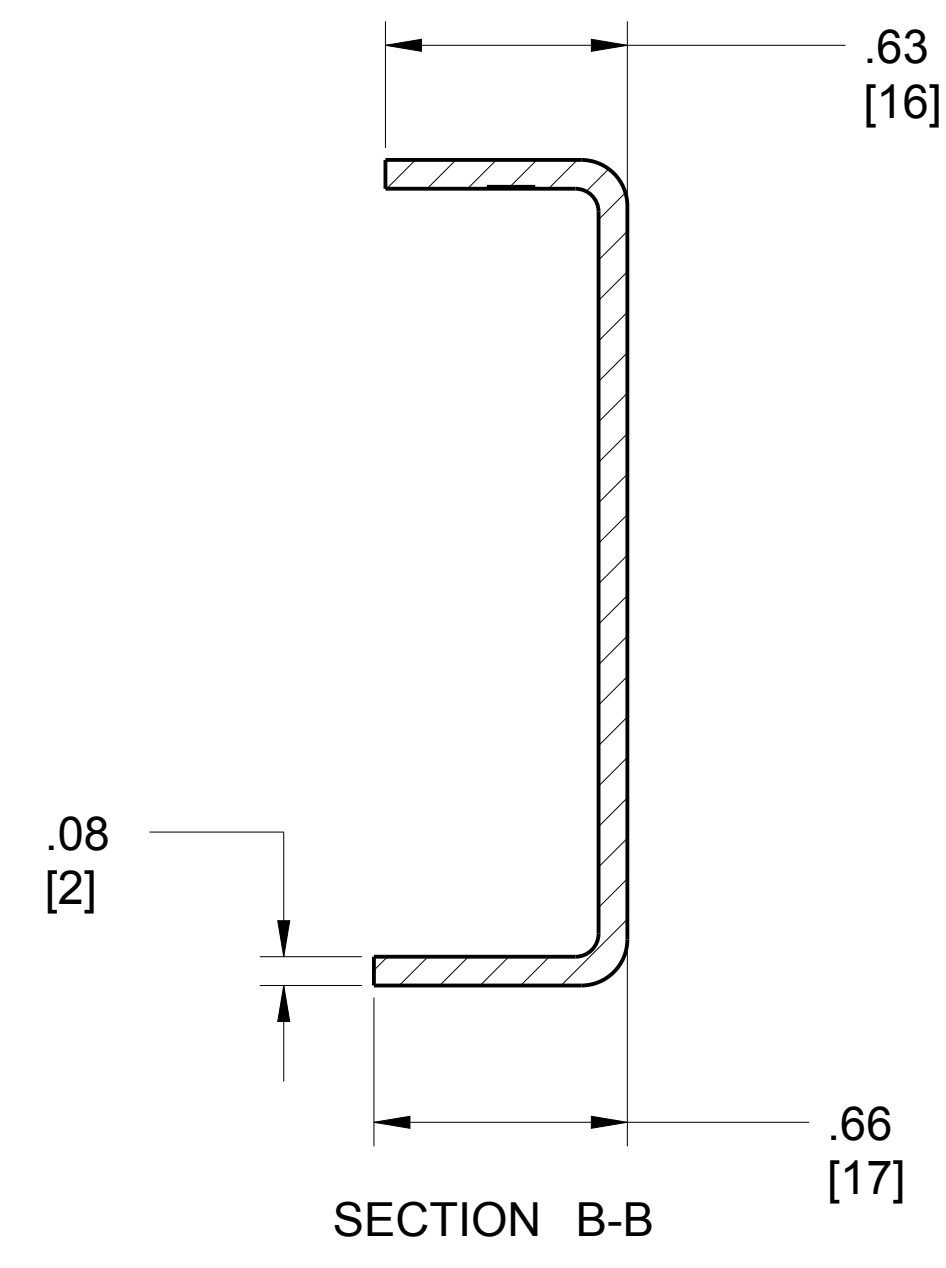
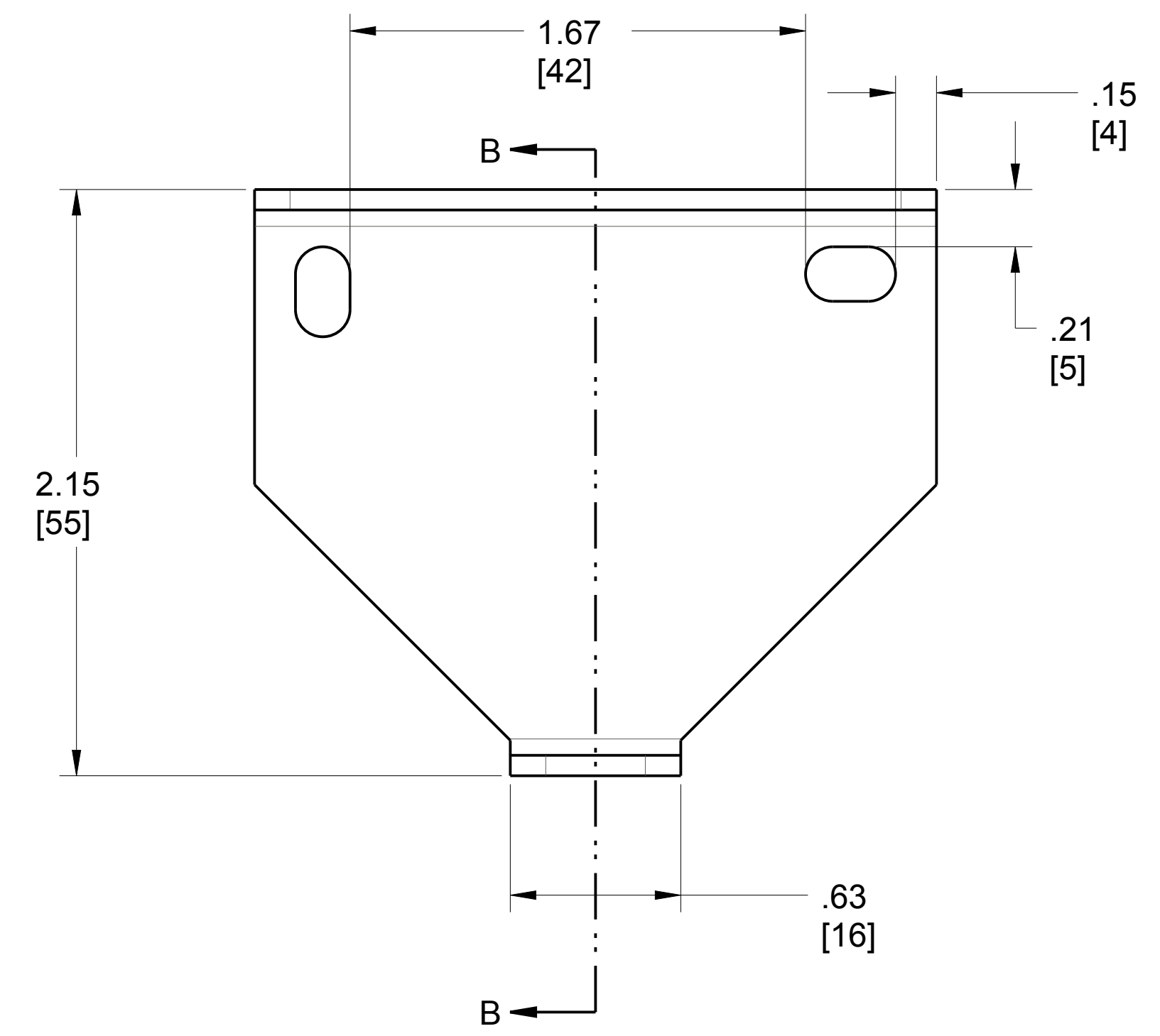
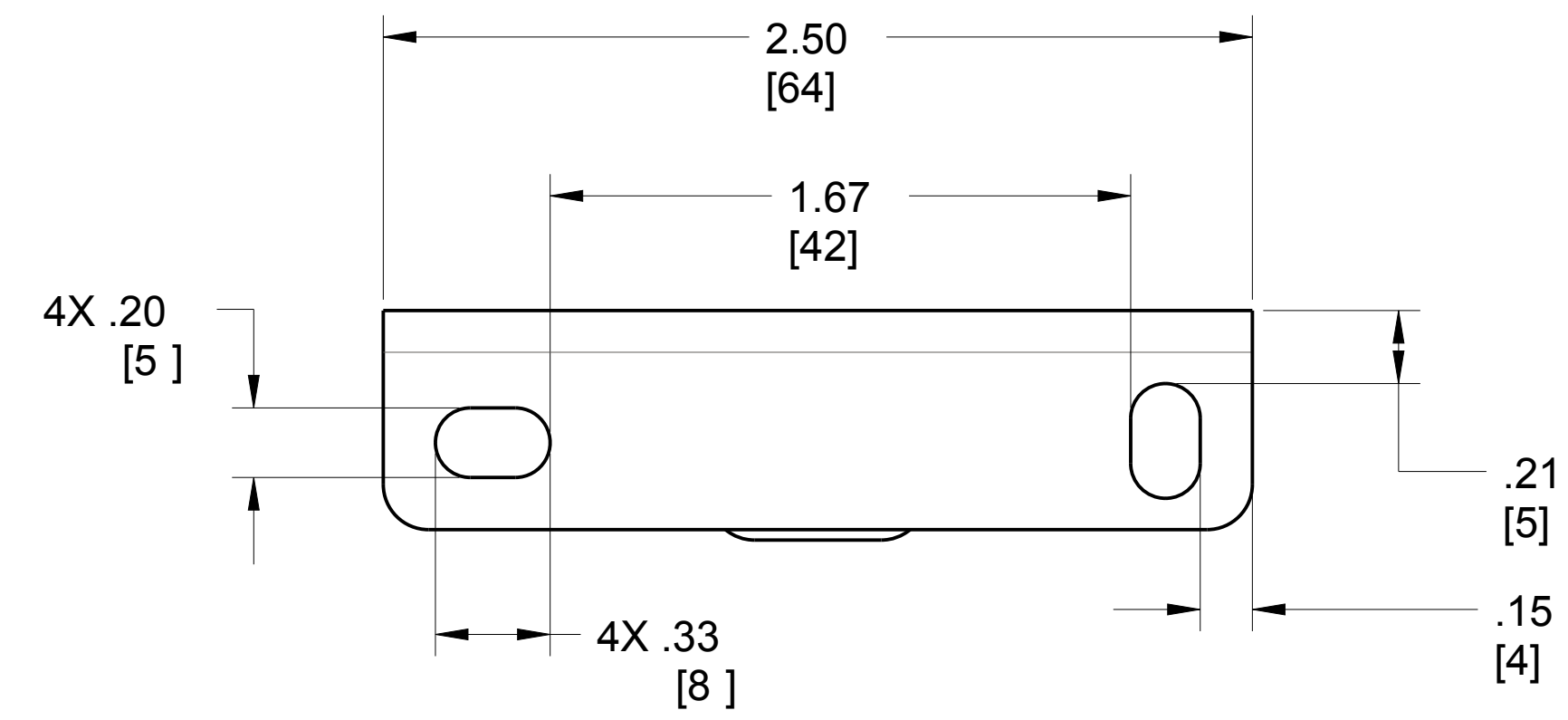


REVISION RECORD				
SYM	DESCRIPTION	BY	DATE	CHK
F	CUSTOMER INSPECTION DRAWING	RJB	18NOV11	



SR NO	SBT ITEM NO	CLUTCHES	MAX ROLL DIA	ROLLEASE TUBES
1	RB580XX	R16C53XX R24C53XX	DIA 4 INCH OR DIA 101.6 MM	RTEA4TXX RTEA5TXX RTEA6TXX

<small>THIS INFORMATION IS CONFIDENTIAL AND PROPRIETARY TO ROLLEASE, INC. THE POSSESSOR AGREES TO MAINTAIN THIS INFORMATION AS CONFIDENTIAL, NOT REPRODUCE OR DISSEMINATE IN WHOLE OR IN PART TO ANY THIRD PARTY.</small>	INCHES	RollEase Window Covering Systems			
	TOLERANCES	<small>X.XX = ± 0.015</small> <small>X.XXX = ± 0.005</small> <small>ANG = ± 1°</small>	<small>DESIGNED BY</small> VRP	<small>TITLE</small> RB580XX, BRACKET, R16-R24 2INCH PROJECTION	<small>SOLD TO</small> F.8
	DATE	11JUL11	<small>SCALE</small> D	<small>PROJECT NO.</small> W016P022	<small>REV</small> F
	<small>SEE NOTES</small>				