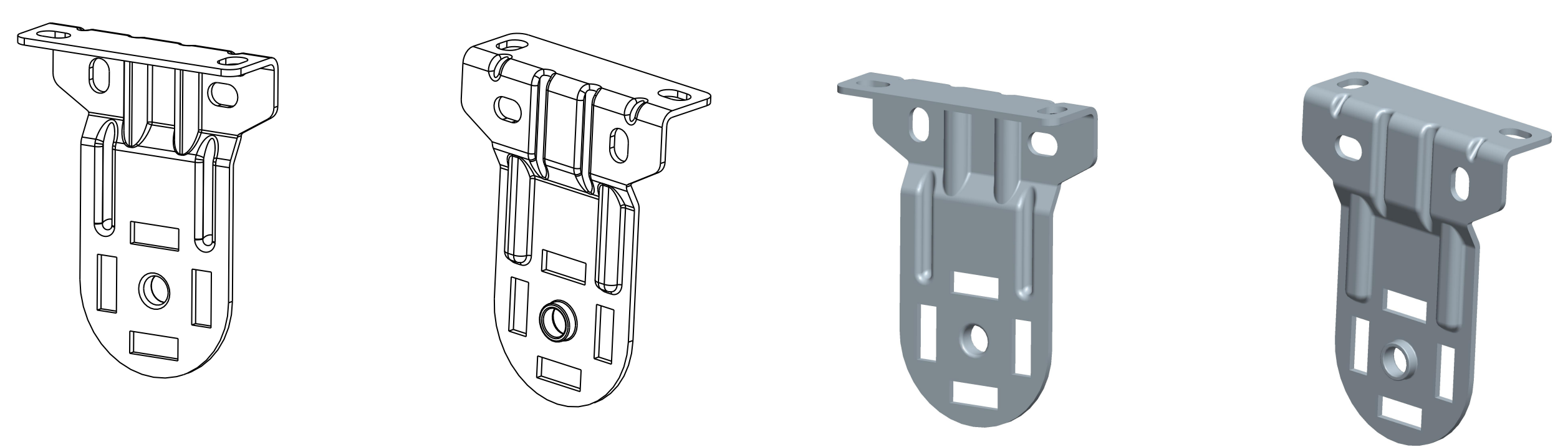
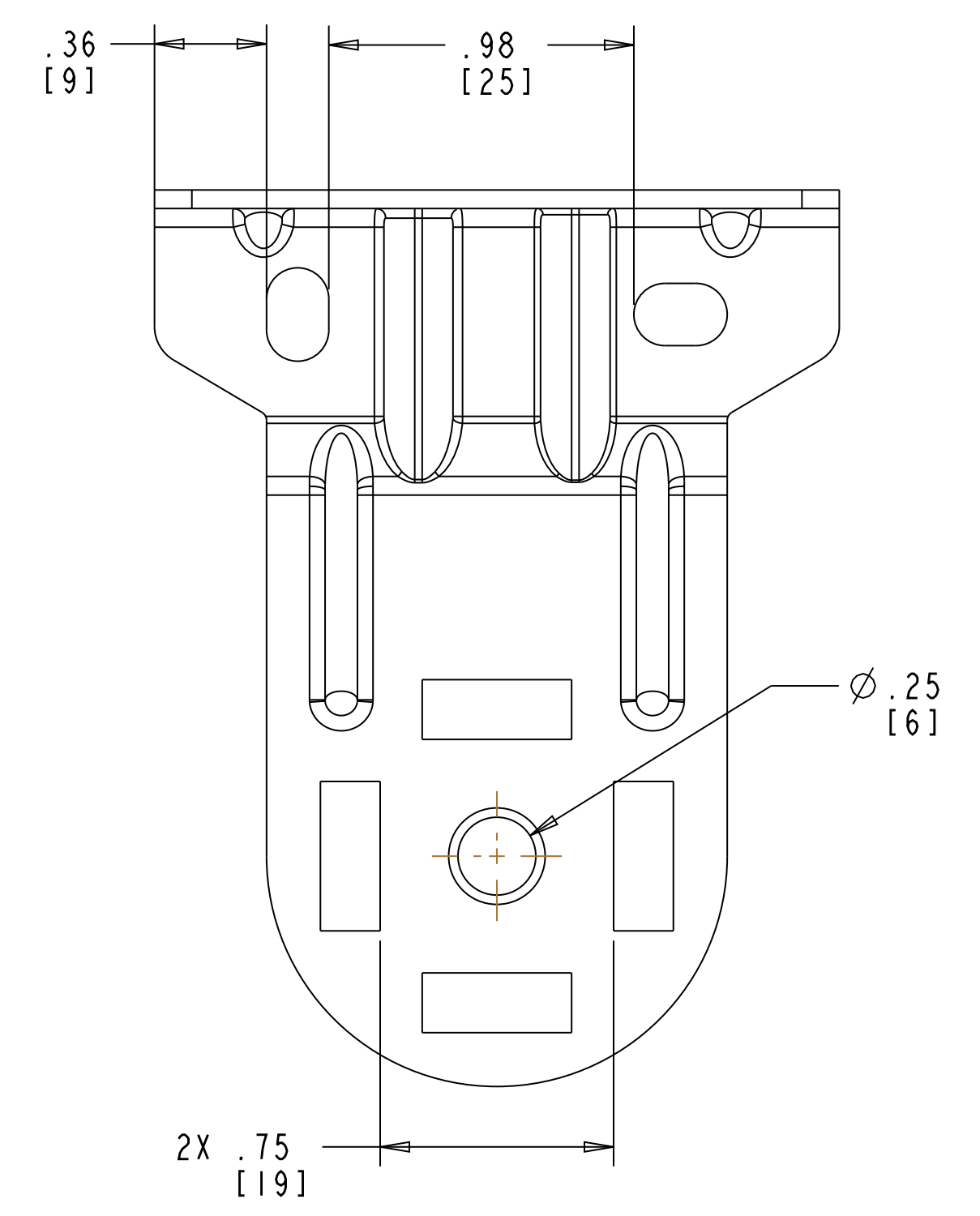
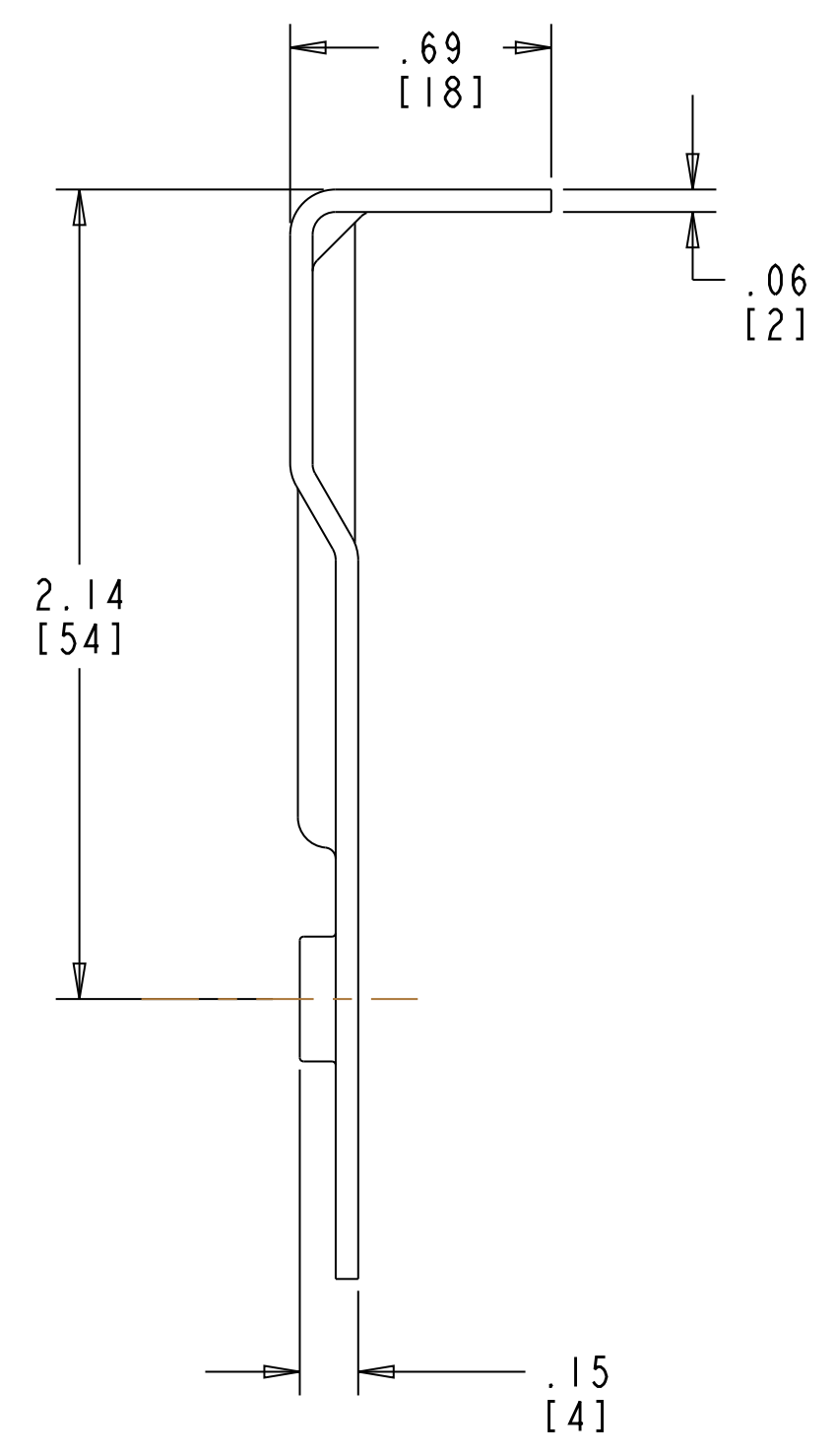
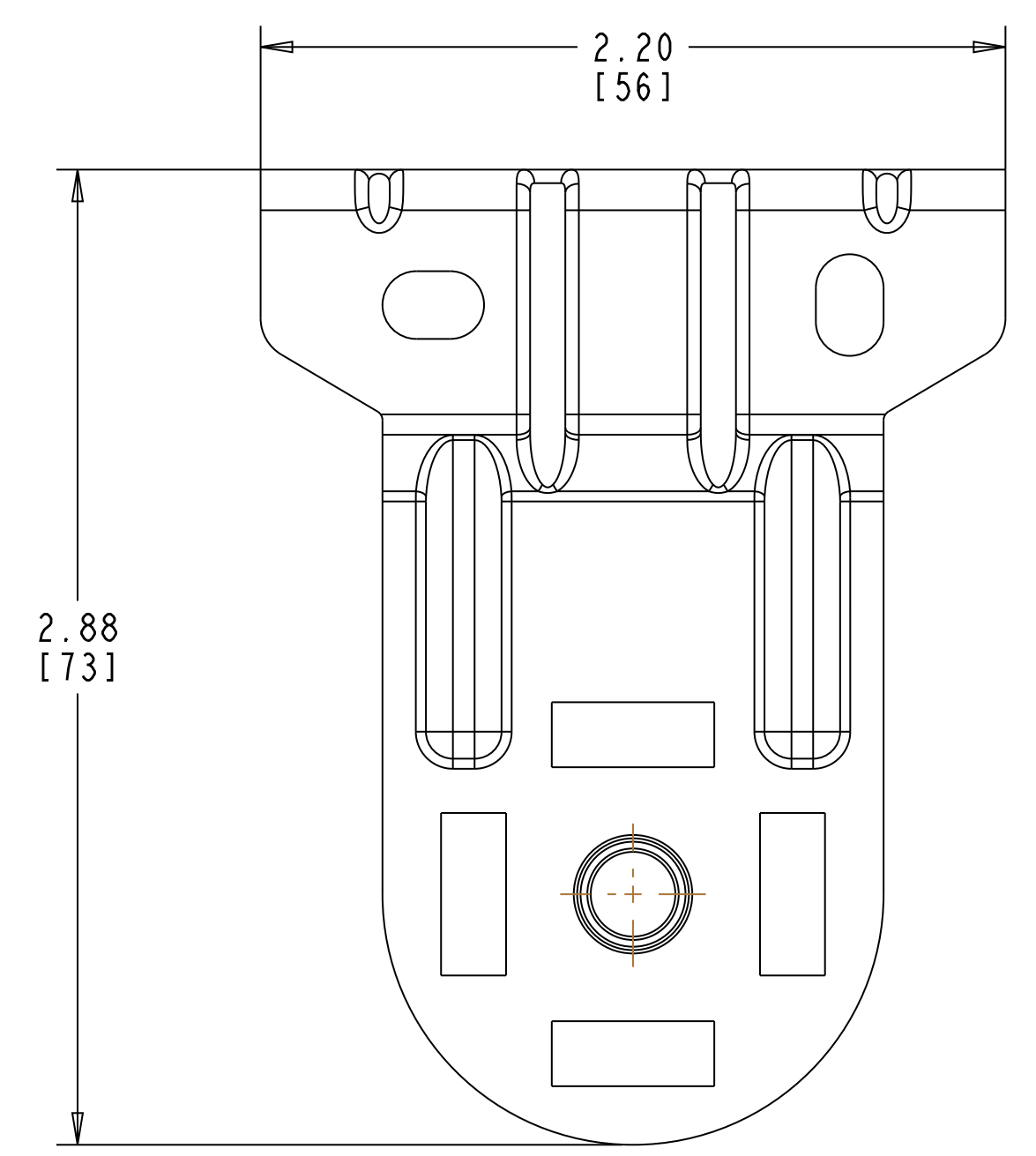
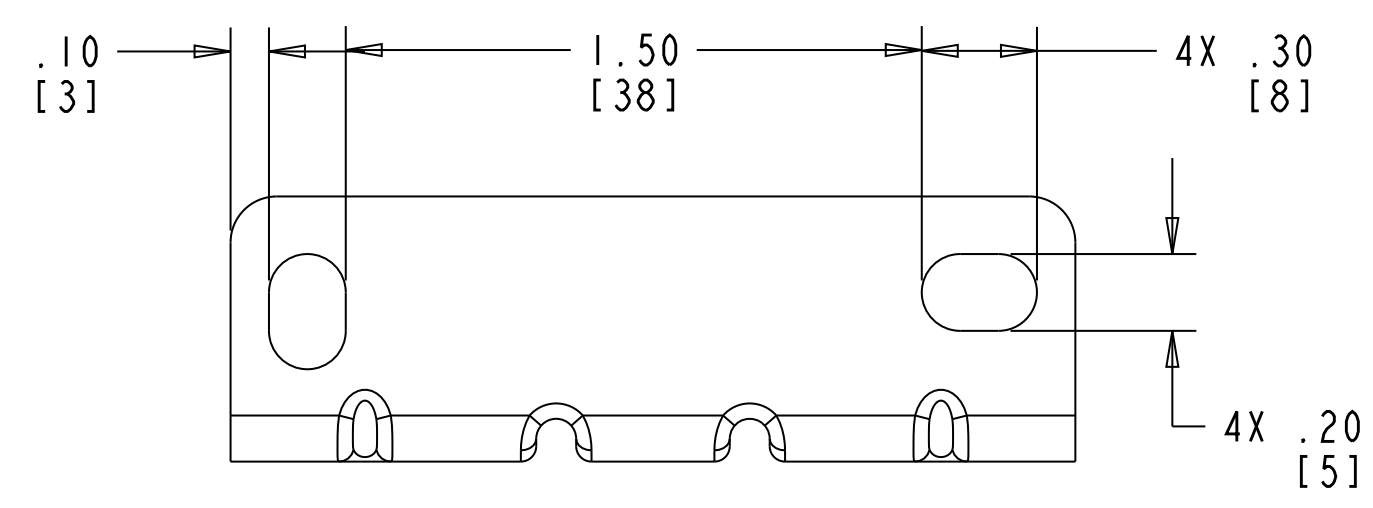


REVISION RECORD				
SYM	DESCRIPTION	BY	DATE	CHK
A	CUSTOMER INSPECTION DRAWING	JSG	30MAY11	



SR NO	SBT ITEM NO	CLUTCHS	MAX ROLL DIA	ROLLESE TUBES
1	SLB680XX	SL10HXX SL15HXX SL20H53XX RGAL200HX RGAL400HX	DIA 4 INCH OR DIA 101.6 MM	RTEA1TXX RTEA2TXX RTEA3TXX RTEA4TXX RTEA5TXX

THIS INFORMATION IS CONFIDENTIAL AND PROPRIETARY TO ROLLESE, INC. THE PROSESSOR AGREES TO MAINTAIN THIS INFORMATION AS CONFIDENTIAL, NOT REPRODUCING OR REVEALING IT IN WHOLE OR IN PART TO ANY THIRD PARTY.	INCHES	<b>RollEase</b> Window Covering Systems			
	TOLERANCES				
	X.XX : ± 0.015 X.XXX : ± 0.005 ANG : ± 1°	USED ON	SKYLINE	MATL	SEE DETAIL DPG
	DATE	SIZE	SCALE	ENGINEERING DRAWING NUMBER	SOLID
31MAY11	D	2:1	W073P157	A.5	