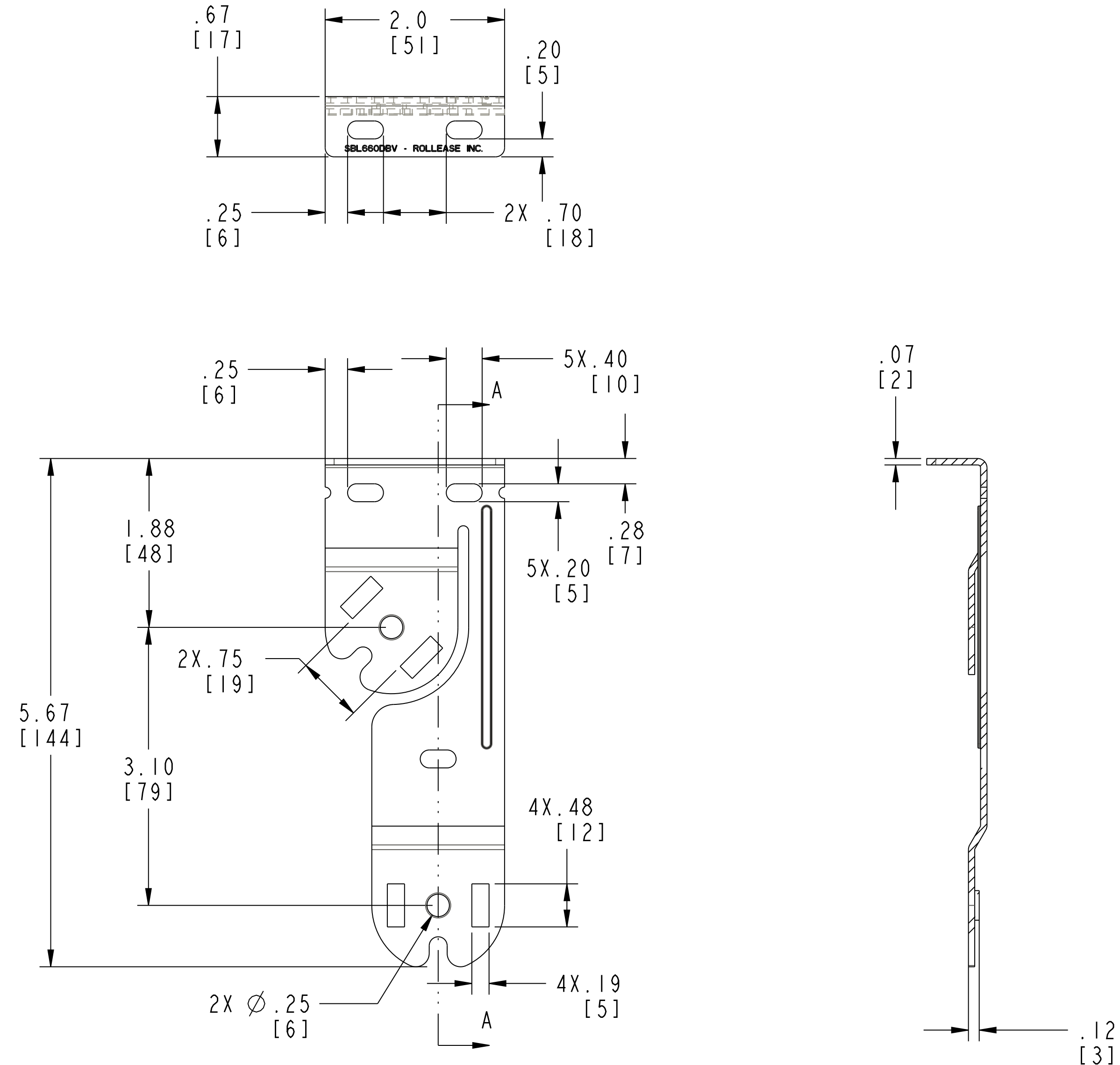
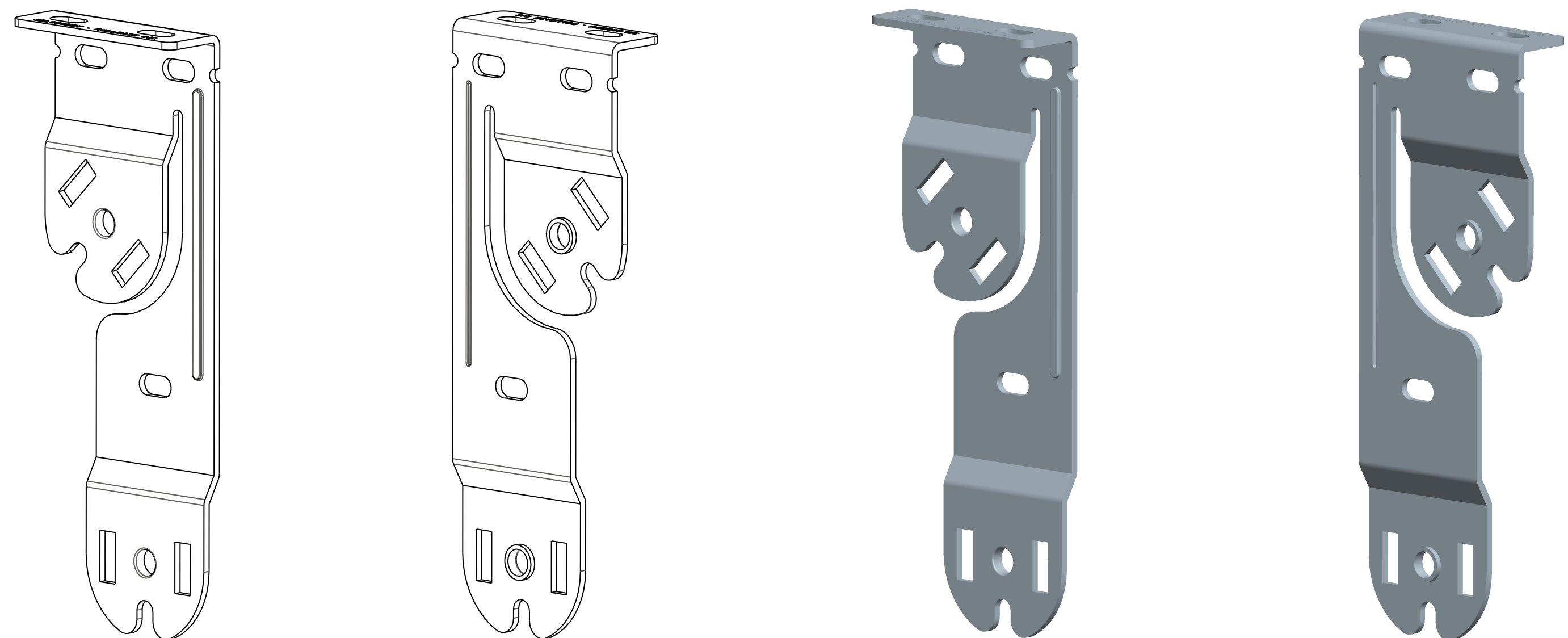


REVISION RECORD				
SYM	DESCRIPTION	BY	DATE	CHK
F	CUSTOMER INSPECTION DRAWING	VRP	01AUG11	



SECTION A-A



SR NO	SBT ITEM NO	CLUTCHS	MAX ROLL DIA	ROLLEASE TUBES
1	SLB660DBVXX	SL10HXX SL15HXX SL20H53XX RGAL200HX	3 INCH OR 76.2 MM	RTEA1TXX RTEA2TXX RTEA3TXX RTEA4TXX RTEA5TXX

THIS INFORMATION IS CONFIDENTIAL AND PROPRIETARY TO ROLLEASE, INC. THE PROSESSOR AGREES TO MAINTAIN THIS INFORMATION AS CONFIDENTIAL, NOT REPRODUCING OR REVEALING IT IN WHOLE OR IN PART TO ANY THIRD PARTY.	INCHES [MM]	<b>RollEase</b> Window Covering Systems			
	TOLERANCES	USED ON	SKYLINE	MATL	SEE DETAIL DRG
	X.XX : ± 0.015 X.XXX : ± 0.005 ANG : ± 1°	VRP	SLB660DBV BRACKET SKYLINE	DOUBLE VERTICAL	SOLID F.8
DATE	01AUG11	SIZE	D	SCALE	1/1
		ENGINEERING DRAWING NUMBER			W073P006
		REV			F