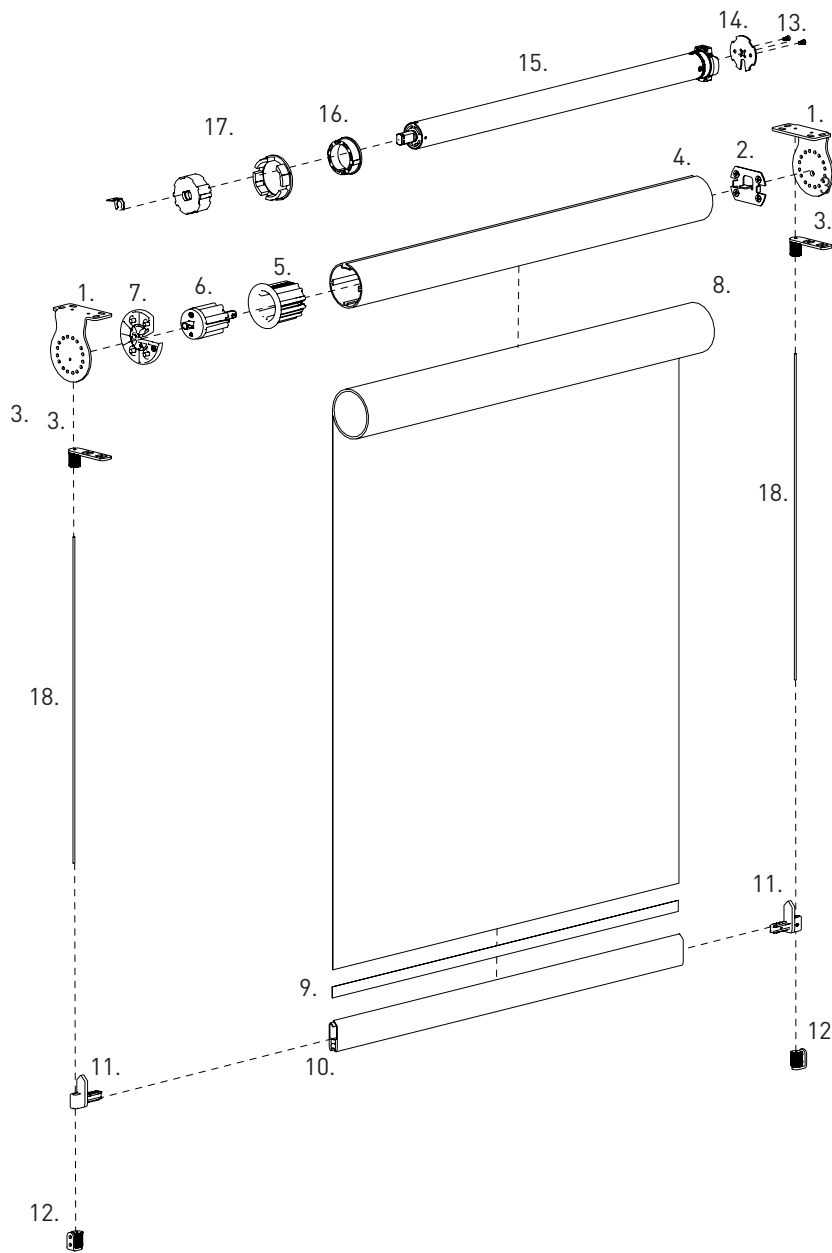


# ROLLEASE ACMEDA CONTRACT PROGRAM

## S60 MOTORIZED SINGLE SHADE WIRE GUIDE

### GENERAL SCHEMATICS



### SYSTEM INDEX

- |  |  |
|--|--|
| 1. S60 M50 Universal Bracket                     | 10. F4115 Flat Heavy Duty Bottom Rail        |
| 2. M40 HD Motor Adaptor Set                      | 11. F4115 Flat Heavy Duty Wire Guide End Cap |
| 3. Tensioning Wire Stopper + Adjuster            | 12. Tensioning Wire Stopper + Adjuster       |
| 4. SYS60   60 STD Aluminium Tube                 | 13. Slam Screw                               |
| 5. RB10 Tube Adaptor   S60                       | 14. M40 H/D Slim Head Motor Disc Adapter     |
| 6. RB10 Bearing Idler/End Plug   S60             | 15. Automate ARCF Q6 Motor                   |
| 7. RB10 Idler Universal Bracket Adaptor   S60    | 16. Crown Adaptor 35 to 45mm Motor           |
| 8. Fabric  | 17. Automate M50 Crown and Drive Set         |
| 9. 15mm ACM Flat Spline - With Double Sided Tape | 18. Wire Guide Tensioning Cable              |

## ROLLEASE ACMEDA CONTRACT

Leading innovator of precision hardware and automated shade solutions.

USA | EUROPE | AUSTRALIA [rolleaseacmeda.com](http://rolleaseacmeda.com)