

OVERVIEW: RB10 LARGE CHAIN CONTROL S60

The RB10 Large Chain Control system is a quality solution for large roller blind applications that require the very best performance. The system features a robust design utilising bearings on both the chain control and idle end. The system gives you flexibility to use either a light, standard or heavy duty precision spring assist booster with a standard or heavy duty 60mm tube, ensuring an optimal lifting and operation user experience is maintained regardless of the final blind size. The RB10 has the ability to lift shades up to 25kgs and 30sqm, whilst maintaining an operating pull force under 3kgs.

AESTHETIC FEATURES

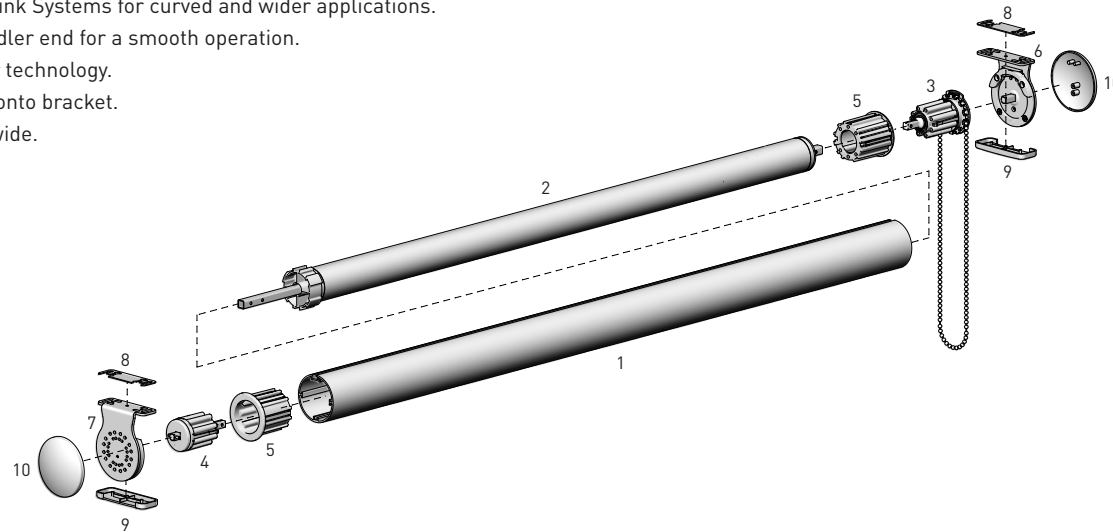
- Colour coded accessories including bracket covers.
- 15mm minimal light gaps (each end)

ASSEMBLY / INSTALLATION BENEFITS

- Shade security ensured with Snap Lock spring loaded idle end.
- Seamless conversion from motorisation and manual control.
- Easy to use, safe installation.
- Secure shade bracket locking system.

FUNCTIONAL BENEFITS

- Compatible with Uni-Link & Multi-Link Systems for curved and wider applications.
- Bearings in both chain control and idler end for a smooth operation.
- High precision spring assist booster technology.
- Chain securing guard incorporated onto bracket.
- Shades from 2 metres to 8 metres wide.
- Up to 25Kg capacity.
- 1:1 Rotation Ratio.



SYSTEM INDEX

1	Aluminium Tube - S60 Std, HD RB91-02#0-000580
2	Retro-Fit Booster - Light, Std, HD RB10-6040-0500##
3	RB10 Winder Body - Universal RB10-6100-xxx001
4	RB10 Idler Head - Universal RB10-6200-xxx001
5	RB10 Tube Adapter RB10-6000-xxx0#0
6	RB10 Winder Bracket Kit - Universal RB10-6300-xxx001
7	RB10 Idler Bracket Kit - Universal RB10-6500-xxx001
8	Mounting Shim Packer RB56-9105-xxx020
9	Screw Plate Cover RB56-0104-xxx060
10	Bracket Cover RB10-0101-xxx060

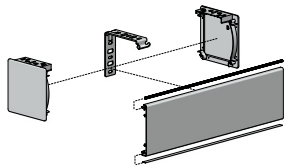
xxx= colour ## = size

COLOUR RANGE

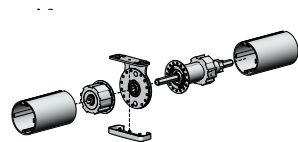
pure white
069black
050

ADD ON SYSTEMS

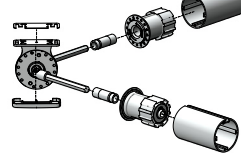
FRS120 VALANCE



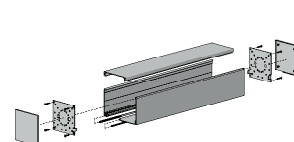
MULTI-LINK™



UNI-LINK™



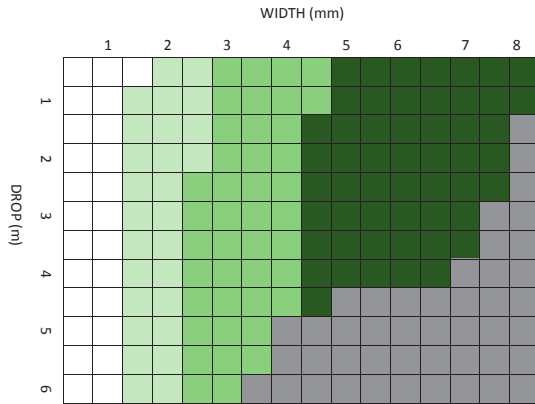
SQUARE BOX 120



SPECIFICATIONS: RB10 LARGE CHAIN CONTROL S60

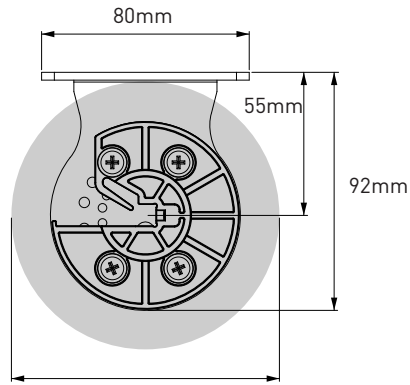
SYSTEM CAPACITY CHART

CHAIN CONTROL WITH BOOSTER



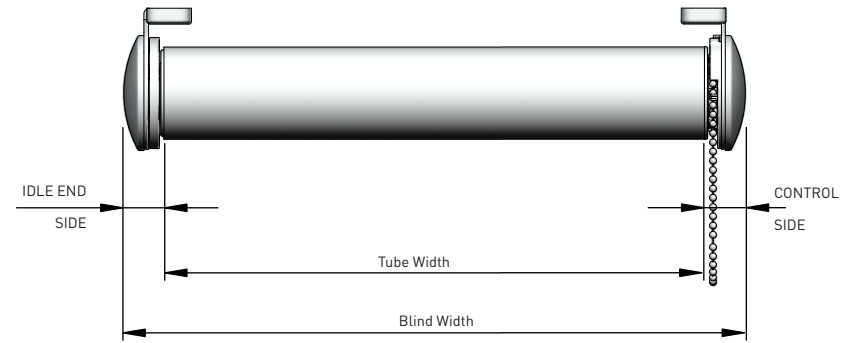
- LIGHT SPRING ASSIST
- STANDARD SPRING ASSIST
- HD SPRING ASSIST
- N/A

MAX ROLL



Maximum Roll Size: 105mm

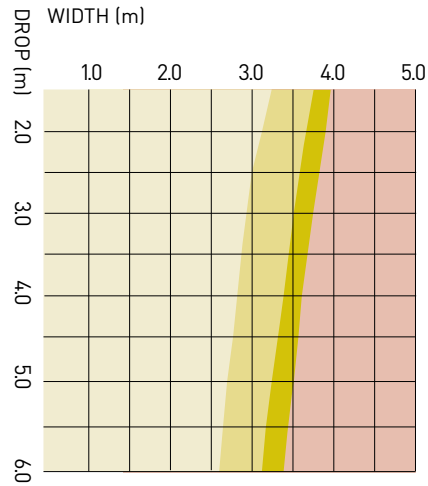
DEDUCTIONS



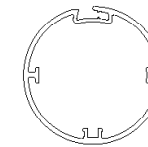
	IDLE END SIDE	CONTROL SIDE	OVERALL DEDUCTION
BEARING IDLER - with covers	26mm [1.02"]	26mm [1.02"]	52mm [2.04"]
BEARING IDLER - withOUT covers	15mm [0.59"]	15mm [0.59"]	30mm [1.18"]
PRE-TENSION IDLER - with covers	31mm [1.22"]	26mm [1.02"]	57mm [2.24"]
PRE-TENSION IDLER - withOUT covers	20mm [0.78"]	15mm [0.59"]	35mm [1.37"]

ALUMINIUM TUBES

TUBE CAPACITY CHART

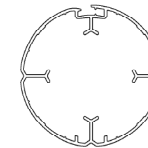


- S60 STANDARD
- S60 - 80 LIGHT
- S60 - 80 HEAVY DUTY
- MULTI-LINK



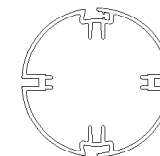
S60 | 60 STANDARD Tube

CODE: RB91-0260-000580
O.D.: 60mm
Length: 5.8metres



S60 | 80 LIGHT Tube

CODE: RB93-0282-000580
O.D.: 80mm
Length: 5.8metres



S60 | 80 HEAVY DUTY Tube

CODE: RB91-0280-000480 - 4.8m
RB91-0280-000580 - 5.8m
O.D.: 80mm
Length: 4.8 & 5.8metres

*Based on fabric weight of 420 grams per square meter and F4115 Flat heavy duty base bar.