

R-Series Automate | 18mm

The motorized R-Series roller shade system offers two Automate motors for two tube diameters to suit a variety of applications. Featuring ARC (Automate Radio Communication), the 18mm R-Series Automate system provides an intelligent Li-ion battery, or a DC powered solution.

AESTHETIC FEATURES

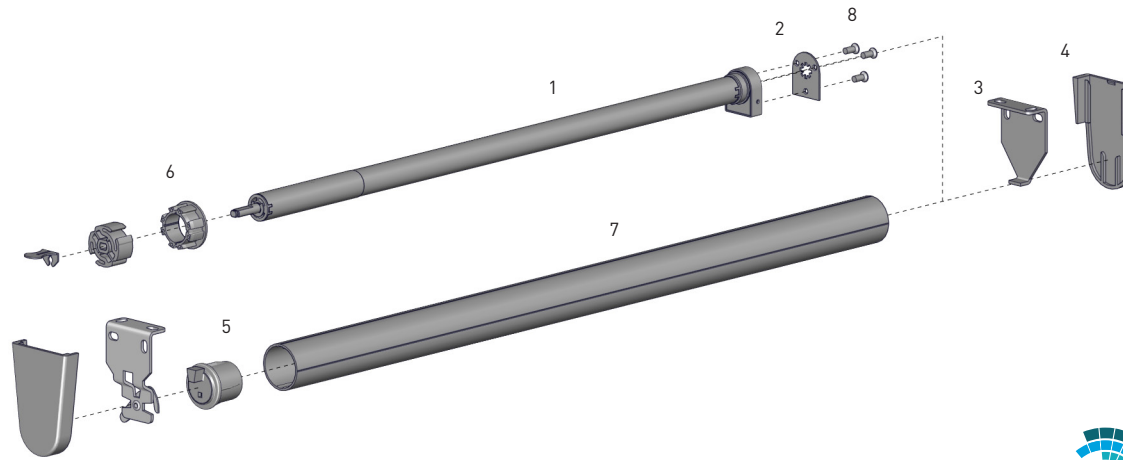
- Slim motor head for minimal light gap

ASSEMBLY / PRODUCTION FEATURES

- Crown, drive and adapters available to suit two tube sizes

FUNCTIONAL BENEFITS

- Leveling control
- Simple limit setting and adjustment
- Favorite position
- 3 operational speed settings
- 2-way RF communication
- ARC protocol for simple programming



SYSTEM INDEX

- Automate Motor | 18mm
a. MTDCBRF18-2 - Li-ion 0.2
b. MTDCRF18-2 - DCRF 0.2
- Motor Adapter
MTAD-251835-RS
- Brackets
RB360xx
RB380xx
RB390xx
- Bracket Covers
RBPC360xx
RBPC380xx
- Pin End
REP01xx
REP02xx
- Crown and Drive Kit
MTCRDR-18-1 - Kit for 1.0" tube
MTCRDR-18-1.125 - Kit for 1½" tube
- Aluminium Tube
RTEA1T## - 1" tube
RTEA2T## - 1½" tube
- Screws for Adapter
SLAMSCREW

- Size
xxx- Color

PRODUCT OPTIONS

SUN SENSOR



SYSTEM UPGRADES

- CASSETTE 80/100/120
- FASCIA 3"/4"/5"
- POCKETS 3"/4"/5"/6"

CONTROL OPTIONS

PARADIGM REMOTES



WALL SWITCH



SMART HOME



PULSE



CHARGERS

ELECTRIC

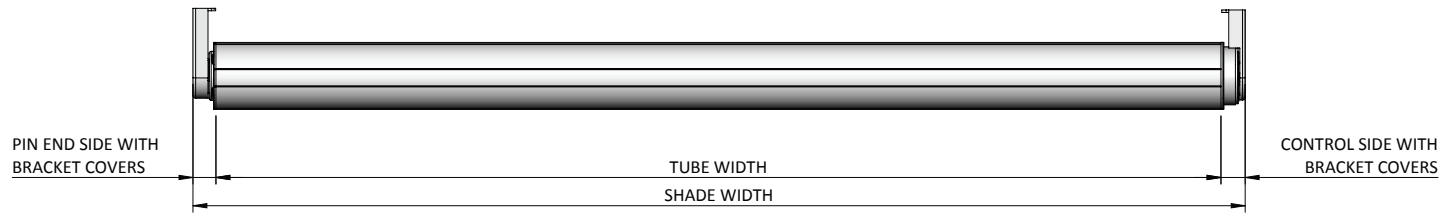


SOLAR



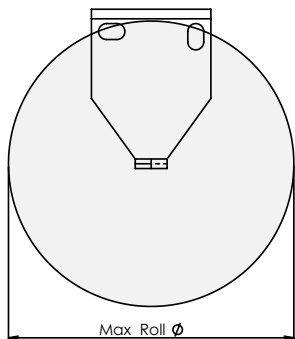
SPECIFICATIONS

DEDUCTION CHART



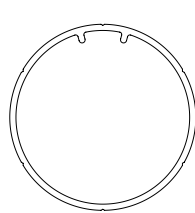
MOTOR	TUBE	BRACKETS	PIN END	CONTROL SIDE	OVERALL DEDUCTION
MTDCBRF18-0.2/ MTDCRF18-0.2	1" Tube/ 1½" Tube	With Bracket Covers	.71" [18mm]	.63" [16mm]	1.34" [34mm]
		No Bracket Covers	.63" [16mm]	.55" [14mm]	[30mm]

MAX ROLL



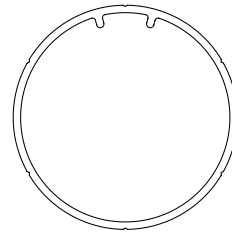
BRACKET	MAX ROLL SIZE
RB360	2.75" [69mm]
RB380	3.65" [92mm]
RB390	4.00" [101mm]

TUBE SPECS



1" Tube

Code: RTEA1T12
 OD: 1.06" [27mm]
 Length: 12' [3.66m]



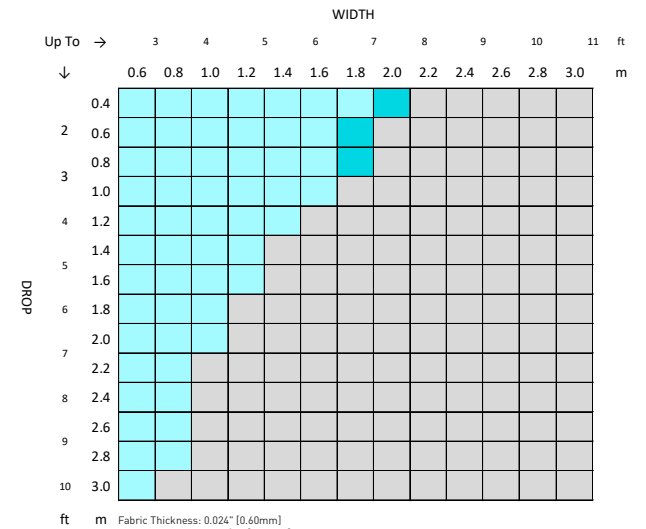
1½" Tube

Code: RTEA2T16
 OD: 1.18" [30mm]
 Length: 16' [4.88m]

MAX DROP	
1" TUBE	1½" TUBE
13.12' [4.00m]*	

* Recommended Max Drop. Exceeding this value may cause fabric tracking issues

18mm SYSTEM CAPACITY



Fabric Thickness: 0.024" [0.60mm]
 Fabric Density: 12.39oz/yd² [420gsm]
 Weight Bar: D30 Silent Medium Aluminium Bottom Rail

CONTROL	TUBE
25mm Motor	RTEA1T## - 1"
	RETA2T## - 1.125"
	OUTSIDE SPECIFICATIONS