

R-Series Automate | 28mm

The motorized R-Series roller shade system offers two Automate motors for two tube diameters to suit a variety of applications. Featuring ARC (Automate Radio Communication), the 28mm R-Series Automate system provides an intelligent, Li-ion battery, AC, or a DC powered solution.

AESTHETIC FEATURES

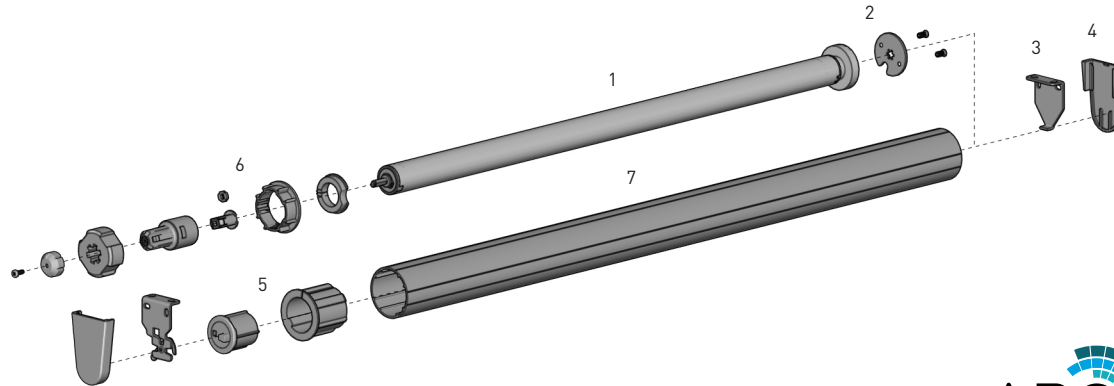
- Slim motor head for minimal light gap

ASSEMBLY / PRODUCTION FEATURES

- Crown, drive and adapters available to suit variety of tube sizes

FUNCTIONAL BENEFITS

- Leveling control
- Simple limit setting and adjustment
- Favorite position
- 3 operational speed settings
- 2-way RF communication
- ARC protocol for simple programming



SYSTEM INDEX

- 1 Automate Motor | 28mm
a. MTDCBRFQ28-2 - Li-ion Q2.0
b. MTDCRFQ28-2 - DCRF Q2.0
- 2 Motor Adapter
MTAD-252835-RS
- 3 Brackets
RB360xx
RB380xx
RB390xx
- 4 Bracket Covers
RBPC360xx
RBPC380xx
- 5 Pin End & Adapter
REP53XX
RA2XX
- 6 Crown and Drive Kit
MTCRDR-28-1.5 - Kit for 1.5" tube
MTCRDR-28-2 - Kit for 2" tube
- 7 Aluminium Tube
RTEA4T## - 1.5" tube
RTEA5T## - 2" tube
- 8 Screws for Adapter
SLAMSCREW

- Size
xxx- Color

PRODUCT OPTIONS

SUN SENSOR



SYSTEM UPGRADES

- CASSETTE 80/100/120
- FASCIA 3"/4"/5"
- POCKETS 3"/4"/5"/6"

CONTROL OPTIONS

PARADIGM REMOTES



WALL SWITCH



SMART HOME



PULSE



CHARGERS

ELECTRIC

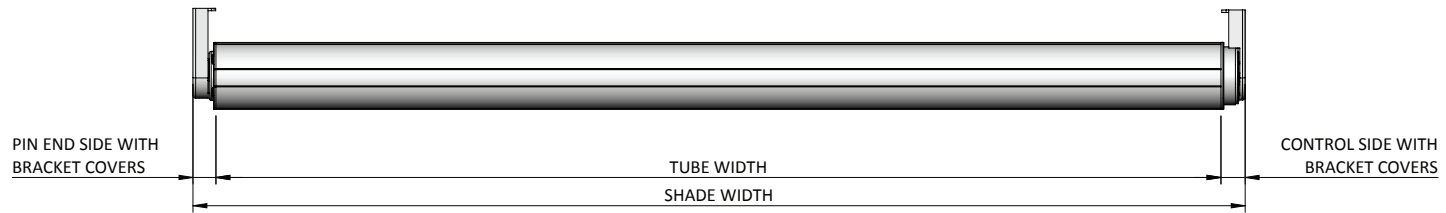


SOLAR



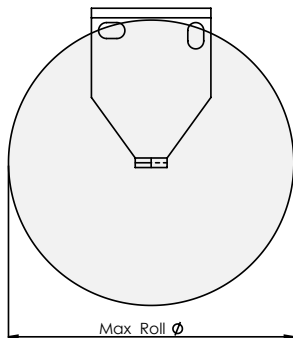
SPECIFICATIONS

DEDUCTION CHART



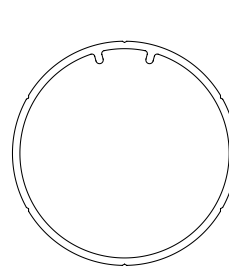
MOTOR	TUBE	BRACKET	PIN END	CONTROL SIDE	OVERALL DEDUCTION
MTDCBRFQ28-2/ MTDCRFQ28-2	1.5" Tube	With Bracket Covers	.63" [16mm]	.67" [17mm]	1.30" [33mm]
		No Bracket Covers	.55" [14mm]	.63" [16mm]	1.18" [30mm]
	2.0" Tube	With Bracket Covers	.71" [18mm]	.67" [17mm]	1.38" [35mm]
		No Bracket Covers	.63" [16mm]	.59" [15mm]	1.22" [31mm]

MAX ROLL



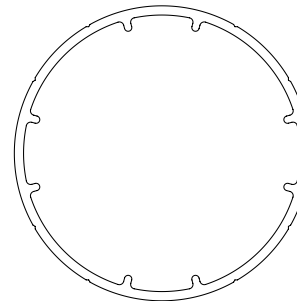
BRACKET	MAX ROLL SIZE
RB360	2.75" [69mm]
RB380	3.65" [92mm]
RB390	4" [101mm]
RB560	3" [76mm]
RB580	4" [101mm]
RB590	5.5" [139mm]

TUBE SPECS



1.5" Tube

Code: RTEA4T12
RTEA4T16
OD: 1.5" [38mm]
Length 12',16'
[3.66m, 4.88m]



2.0" Tube

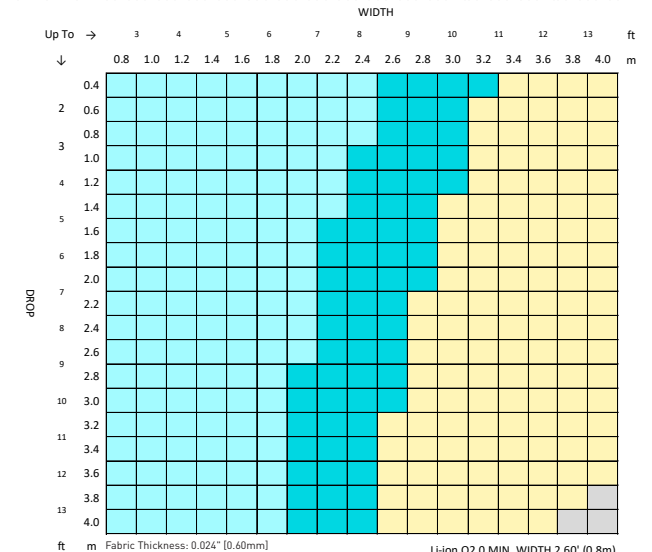
Code: RTEA5T12 (with tape)
RTEA5U12
RETA5T16 (with tape)
RTEA5U16
OD: 2.0" [51mm]
Length 12',16'
[3.66m, 4.88m]

MAX DROP

1.5" TUBE	2.0" TUBE
13.12' [4.00m]*	11.15' [3.40m]**
	13.12' [4.00m]*

* Recommended Max Drop. Exceeding this value may cause fabric tracking issues
** RB360 ONLY

28mm SYSTEM CAPACITY



CONTROL	TUBE	LINK SYSTEM
28mm Motor	RTEA4T## - 1.5"	
	RTEA5T## - 2.0"	
OUTSIDE SPECIFICATIONS		