

R-Series Automate | 35mm

The motorized R-Series roller shade system offers a range of three Automate motors with two tube diameters to suit a variety of applications. Featuring ARC (Automate Radio Communication), the 35mm R-Series Automate system provides an intelligent, Li-ion battery, AC, or a DC powered solution.

AESTHETIC FEATURES

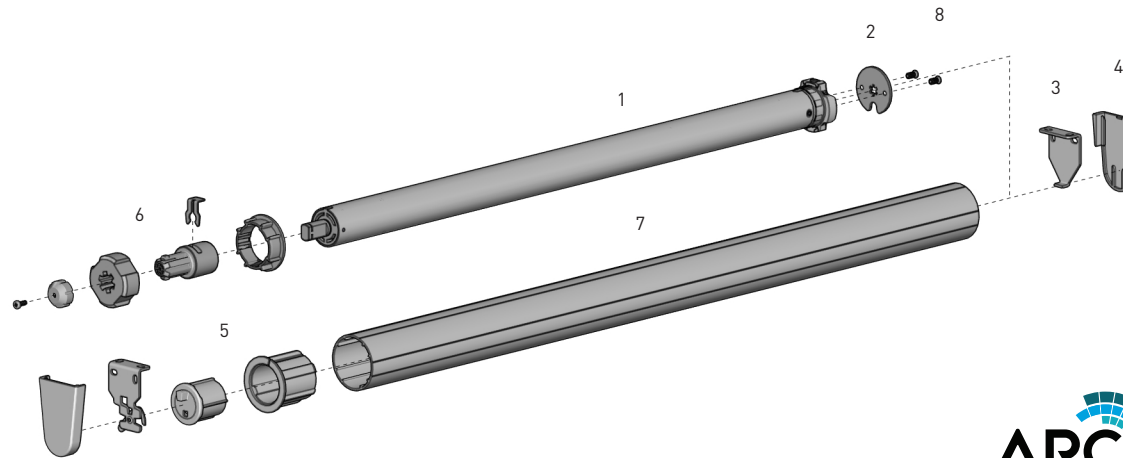
- Slim motor head for minimal light gap

ASSEMBLY / PRODUCTION FEATURES

- Crown, drive and adapters available to suit variety of tube sizes

FUNCTIONAL BENEFITS

- Leveling control
- Simple limit setting and adjustment
- Favorite position
- 3 operational speed settings
- 2-way RF communication
- ARC protocol for simple programming



SYSTEM INDEX

- 1 Automate Motor | 35mm
 - a. MTDCBRF35-3 - Li-ion 3.0
 - b. MTDCRF35-3 - DCRF 3.0
 - c. MTACRF35-6 - ACRF 6
 - d. MTACQRF35-6 - ACRF Q6
- 2 Motor Adapter
MTAD-253835-RS
- 3 Brackets
RB360xx
RB380xx
RB390xx
- 4 Bracket Covers
RBPC360xx
RBPC380xx
- 5 Pin End & Adapter
REP53XX
RA2XX
- 6 Crown and Drive Kit
MTCRDR-35-2 - Kit for 2" tube
- 7 Aluminium Tube
RTEA5T## - 2" tube
- 8 Screws for Adapter
SLAMSCREW

- Size
xxx- Color

PRODUCT OPTIONS

SUN SENSOR



SYSTEM UPGRADES

- CASSETTE 80/100/120
- FASCIA 3"/4"/5"
- POCKETS 3"/4"/5"/6"

CONTROL OPTIONS

PARADIGM REMOTES



WALL SWITCH



SMART HOME



PULSE



CHARGERS

ELECTRIC

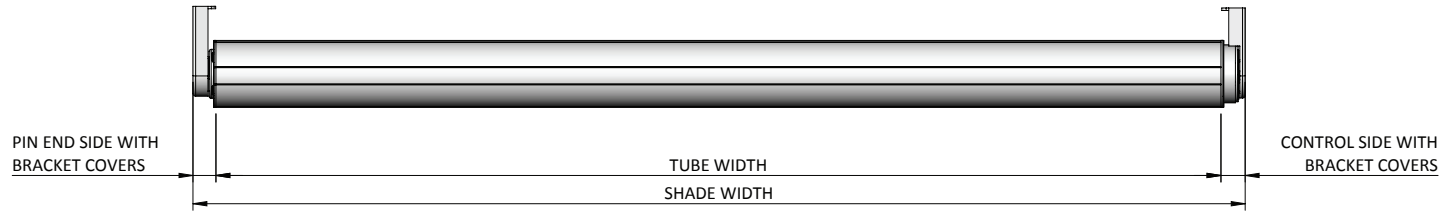


SOLAR



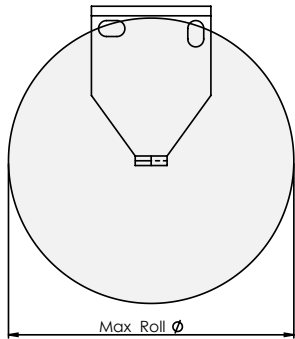
SPECIFICATIONS

DEDUCTION CHART



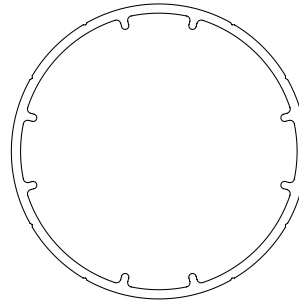
MOTOR	BRACKETS	PIN END	CONTROL SIDE	OVERALL DEDUCTION
MTDCBRF35-3/ MTDCRF35-3/ MTACRF35-6/ MTACQRF35-6	With Bracket Covers	0.67" [17mm]	0.71" [18mm]	1.34" [34mm]
	No Bracket Covers	0.59" [15mm]	0.63" [16mm]	1.18" [30mm]

MAX ROLL



BRACKET	MAX ROLL SIZE
RB360	2.75" [69mm]
RB380	3.65" [92mm]
RB390	4" [101mm]

TUBE SPECS



2.0" Tube

Code: RTEA5T12 (with tape)
RTEA5U12
RETA5T16 (with tape)
RTEA5U16

OD: 2.0" [51mm]
Length: 12', 16'
[3.66m, 4.88m]

MAX DROP
2.0" TUBE
11.15' [3.40m]
13.12' [4.00m]*

* Recommended Max Drop. Exceeding this value may cause fabric tracking issues

35mm SYSTEM CAPACITY

