

EASY-LINK™ SYSTEM

The Rollease Acmeda Easy-Link™ system was designed to allow for multiple blinds to be controlled using a single motor or chain control operation. Achieving minimal gaps between each blind, the Easy-Link™ system provides the perfect addition to the Easy-Lock range when linking blinds.

AESTHETIC FEATURES

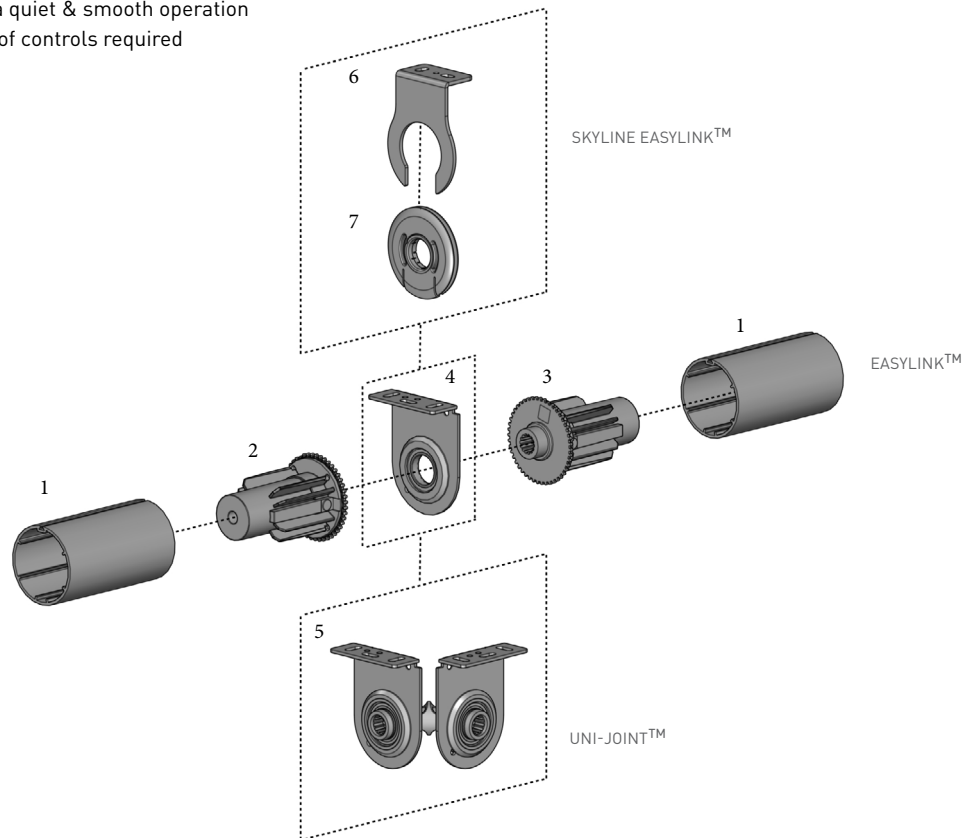
- Color matched components

ASSEMBLY / INSTALLATION BENEFITS

- Compatible with Easy-Lock system
- Individual blind level adjustment post installation without any disassembly
- Unique retractable male & female adapters comprising of glass filled nylon 14 step symmetrical adjustment

FUNCTIONAL BENEFITS

- Optional standard End/Idler Plug adapter allows banded blinds to be controlled independently
- Bearing ensures a quiet & smooth operation
- Reduced number of controls required



EASY-LINK™ / UNI-JOINT™

SYSTEM INDEX

1	Aluminum Tube - S40 / S45
2	Easy-Link™ Int Male Drive RB41-1002-xxx040 - S40 RB41-1002-xxx045 - S45
3	Easy-Link™ Int Female Drive RB41-1001-xxx040 - S40 RB41-1001-xxx045 - S45
4	Easy-Link™ Int Bearing Bracket RB41-0311-xxx0## - AX [40 or 55mm] RB41-0353-xxx0## - LX [40 or 55mm]
5	Easy-Link™ Uni-Joint Bearing Bracket RB41-4553-xxx0## - LX 45° [40 or 55mm] RB41-9053-xxx0## - LX 90° [40 or 55mm] RB41-4553-xxx0## - LX 45° [40 or 55mm] RB41-4553-xxx0## - LX 45° [40 or 55mm]

COLOR RANGE



SYSTEM OPTIONS

COMBO SQUARE BRACKET



CONTROL OPTIONS

CHAIN CONTROL SYSTEM S40/S45



AUTOMATE™



CRANK GEAR SYSTEM S45



SKYLINE EASY-LINK™

SYSTEM INDEX

1	Aluminum Tube - 38/50mm (1.5"/2")
2	Skyline Easy-Link™ Int Male Drive RB41-1002-xxx038 [RA2xx needed for 2" tube]
3	Skyline Easy-Link™ Int Female Drive RB41-1001-xxx038 [RA2xx needed for 2" tube]
6	Easy-Link™ Skyline Bracket RB41-0321-xxx038 - (for SLNB660) RB41-0321-xxx050 - (for SLNB680)
7	Skyline Easy-Link™ Bracket Disk + Bearing RB41-0502-xxx000

COLOR RANGE

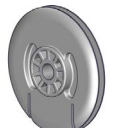


SYSTEM OPTIONS

DOUBLE V-SLIM BRACKET



PIN TO PIN DISK



CONTROL OPTIONS

CHAIN CONTROL SYSTEM

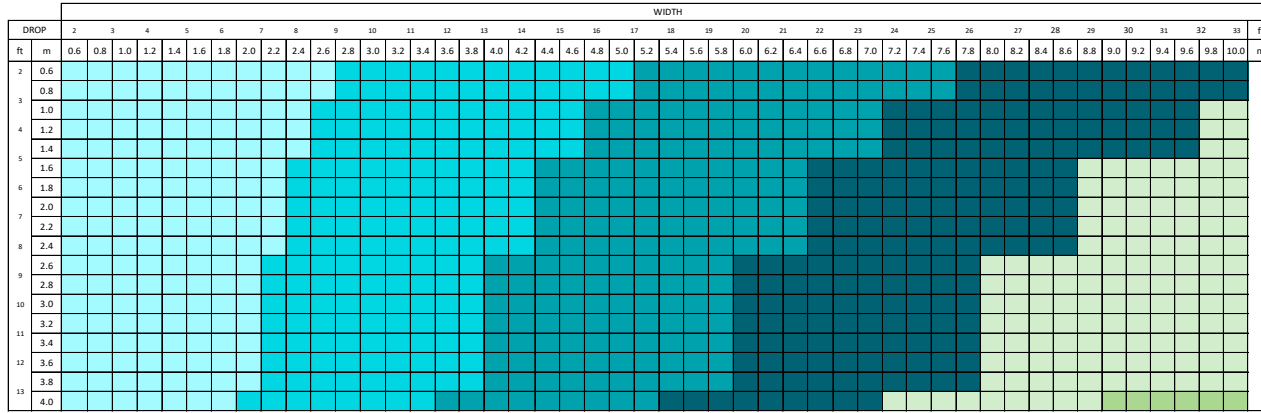


AUTOMATE™



SYSTEM CAPACITY CHARTS

EASY-LINK™



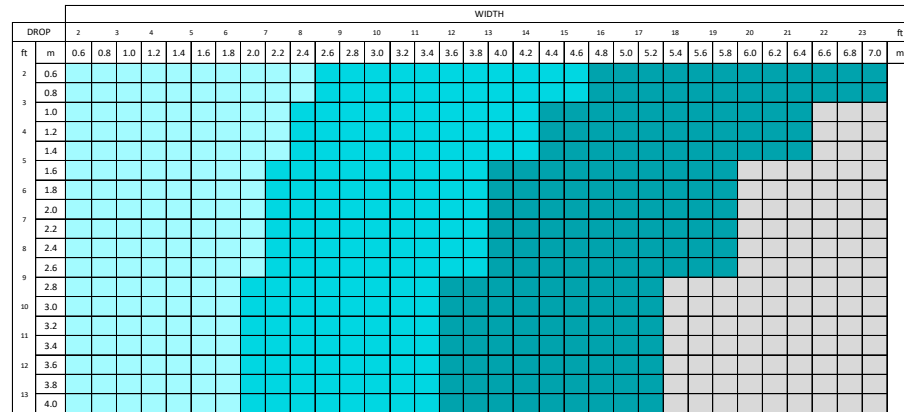
MINIMUM NO. OF LINKS
0
1
2
3
4
5

PARAMETERS

TUBE: S45 LIGHT
 FABRIC DENSITY: 420 gsm [13.39oz/yd²]
 FABRIC THICKNESS: 0.6mm [0.024"]
 WEIGHT BAR: D30 Bottom Rail

*This chart indicates the maximum blind width/drop where the Easy-Link system is to be installed. The chart does not take into consideration the control system capacity; please read in conjunction with the nominated control system capacity chart.

SKYLINE EASY-LINK™



MINIMUM NO. OF LINKS
0
1
2
OUTSIDE SPECIFICATIONS

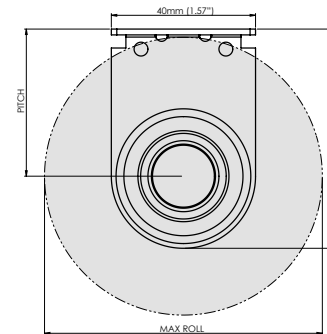
PARAMETERS

TUBE: RETA4 38mm [1.5"]
 FABRIC DENSITY: 420 gsm [13.39oz/yd²]
 FABRIC THICKNESS: 0.6mm [0.024"]
 WEIGHT BAR: D30 Bottom Rail

*This chart indicates the maximum blind width/drop where the Easy-Link system is to be installed. The chart does not take into consideration the control system capacity; please read in conjunction with the nominated control system capacity chart.

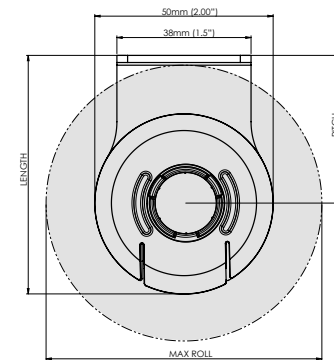
MAX ROLL/DIMENSIONS

S40/45 EASY-LINK



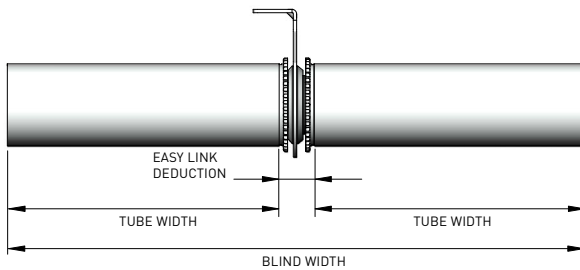
BRACKET	RB41-0311/0353-xxx040	RB41-0311/0353-xxx055
Pitch	40mm [1.57"]	55mm [2.17"]
Length	60mm [2.36"]	75mm [2.95"]
Max. Roll	77mm [3.00"]	105mm [4.10"]

SKYLINE EASY-LINK



BRACKET	RB41-0321-xxx038	RB41-0311-xxx050
Pitch	41mm [1.60"]	55mm [2.17"]
Length	67mm [2.64"]	80mm [3.15"]
Max. Roll	76mm [3.00"]	102mm [4.00"]

DEDUCTIONS



EASY-LINK	SKYLINE EASY-LINK	PIN TO PIN
17mm [0.67"]	19mm [0.75"]	14mm [0.55"]*

* The shades need to be removed by unlocking the bracket bearing disk. If the easy unhooking method to release the shades is needed, add 6mm deduction per wanted side.

- UNI-JOINT, REFER TO MANUAL

- UNI-JOINT, REFER TO MANUAL