

Skyline Automate | 18mm

The motorized Skyline roller shade system offers two Automate motors for two tube diameters to suit a variety of applications. Featuring ARC (Automate Radio Communication), the 18mm Skyline Automate system provides an intelligent Li-ion battery, or a DC powered solution.

AESTHETIC FEATURES

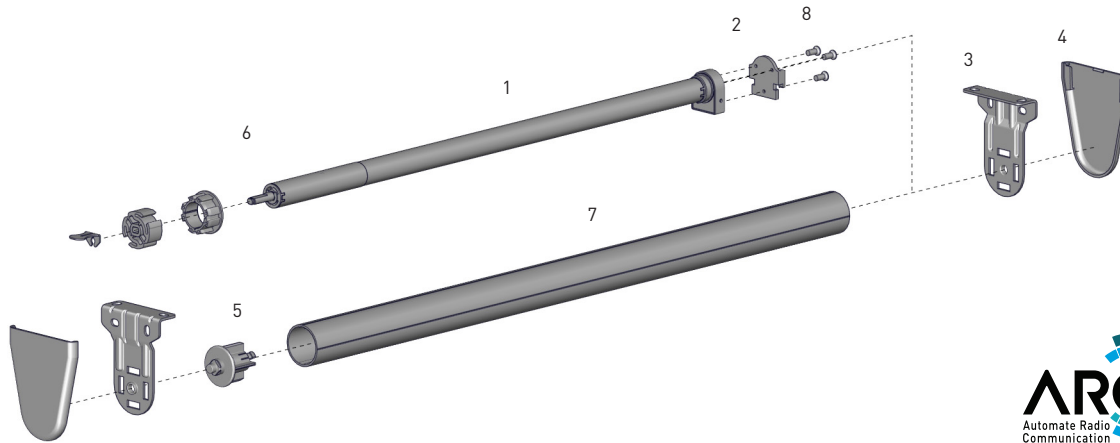
- Slim motor head for minimal light gap

ASSEMBLY / PRODUCTION FEATURES

- Greater flexibility with installation with spring loaded pin end
- Crown, drive and adapters available to suit two of tube sizes

FUNCTIONAL BENEFITS

- Leveling control
- Simple limit setting and adjustment
- Favorite position
- 3 operational speed settings
- 2-way RF communication
- ARC protocol for simple programming



SYSTEM INDEX

- Automate Motor | 18mm
 - MTDCBRF18-0.2 - Li-ion 0.2
 - MTDCRF18-0.2 - DCRF 0.2
- Motor Adapter
MTAD-18-SL
- Brackets
SLB###x
SLNB###x
- Bracket Covers
SLBC###x
SLNBC###x
- Pin End
SLPEV01x
SLPEV02x
- Crown and Drive Kit
MTCRDR-18-1 - Kit for 1" tube
MTCRDR-18-1.125 - Kit for 1 1/8" tube
- Aluminium Tube
RTEA1T## - 1" tube
RTEA2T## - 1 1/8" tube
- Screws for Adapter
SLAMSCREW

- Size
xxx- Color

PRODUCT OPTIONS

SUN SENSOR



SYSTEM UPGRADES

- CASSETTE 80/100/120
- FASCIA 3"/4"/5"
- LINK SYSTEM
- POCKETS 3"/4"/5"/6"

CONTROL OPTIONS

PARADIGM REMOTES



WALL SWITCH



SMART HOME



PULSE



CHARGERS

ELECTRIC

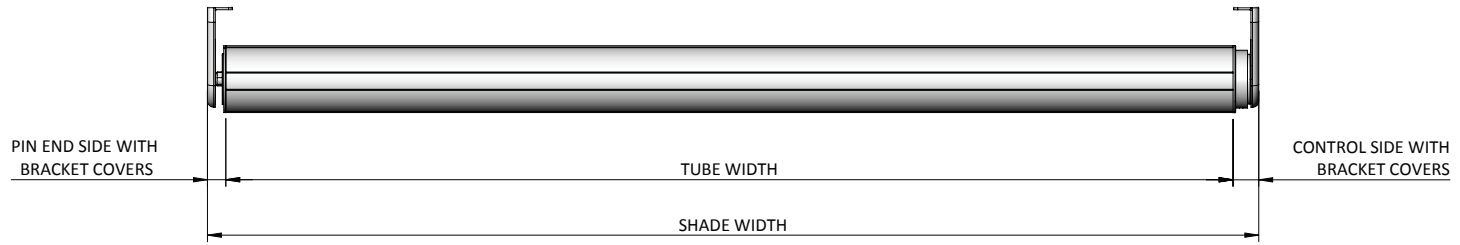


SOLAR



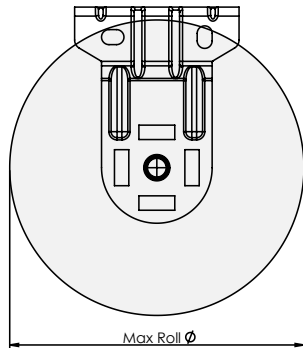
SPECIFICATIONS

DEDUCTION CHART



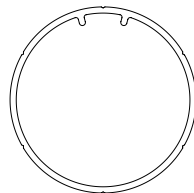
MOTOR	TUBE	BRACKETS	PIN END	CONTROL SIDE	OVERALL DEDUCTION
MTDCBRF18-0.2/ MTDCRF18-0.2	1" Tube/ 1½" Tube	With Bracket Covers	.55" [14mm]	.79" [20mm]	1.34" [34mm]
		No Bracket Covers	.51" [13mm]	.71" [18mm]	1.22" [31mm]

MAX ROLL



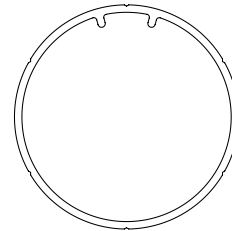
BRACKET	MAX ROLL SIZE
SLxx650xx	2.35" [59.0mm]
SLxx660xx	3" [76.2mm]
SLxx680xx	4" [101.6mm]

TUBE SPECS



1" Tube

Code: RTEA1T12
 OD: 1.06" [27mm]
 Length: 12', [3.66m]



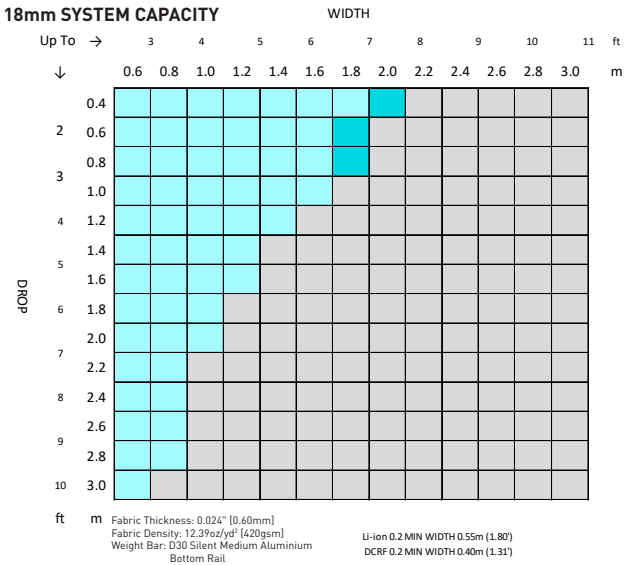
1½" Tube

Code: RTEA2T16
 OD: 1.18" [30mm]
 Length: 16' [4.88m]

MAX DROP	
1" TUBE	1½" TUBE
11.88' [3.62m]**	11.22' [3.42m]**
13.12' [4.00m]*	

* Recommended Max Drop. Exceeding this value may cause fabric tracking issues
 ** SLxx650xx ONLY

18mm SYSTEM CAPACITY



CONTROL	TUBE
25mm Motor	RTEA1T## - 1"
	RETA2T## - 1.125"
	OUTSIDE SPECIFICATIONS