

**Skyline Automate | 28mm**

The motorized Skyline roller shade system offers two Automate motors for two tube diameters to suit a variety of applications. Featuring ARC (Automate Radio Communication), the 28mm Skyline Automate system provides an intelligent, Li-ion battery or a DC powered solution.

**AESTHETIC FEATURES**

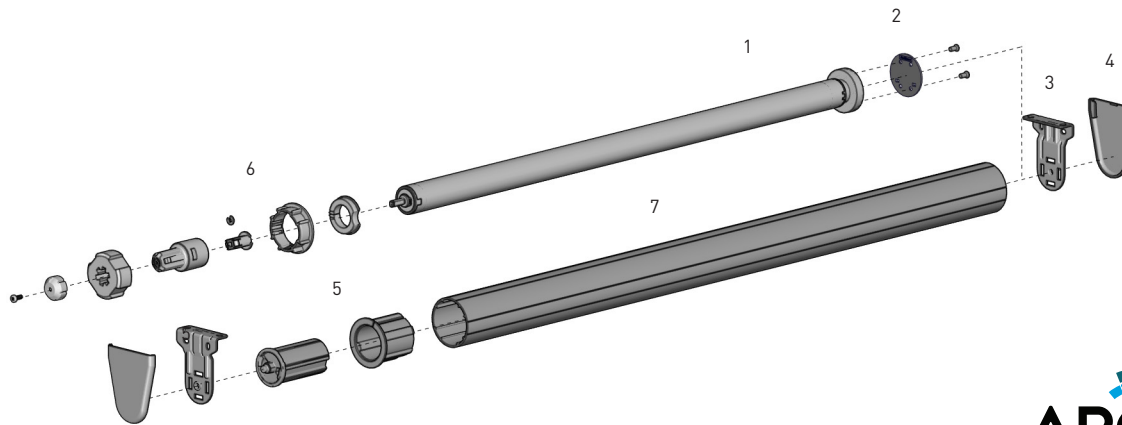
- Slim motor head for minimal light gap

**ASSEMBLY / PRODUCTION FEATURES**

- Greater flexibility with installation with spring loaded pin end
- Crown, drive and adapters available to suit variety of tube sizes

**FUNCTIONAL BENEFITS**

- Leveling control
- Simple limit setting and adjustment
- Favorite position
- 3 operational speed settings
- 2-way RF communication
- ARC protocol for simple programming



**SYSTEM INDEX**

- 1 Automate Motor | 28mm  
a. MTDCBRFQ28-2 - Li-ion Q2.0  
b. MTDCRFQ28-2 - DCRF Q2.0
- 2 Motor Adapter  
MTAD-252835-SL
- 3 Brackets  
SLB###x  
SLNB###x
- 4 Bracket Covers  
SLBC###x  
SLNBC###x
- 5 Pin End & Adapter  
SLPEHD53xx + RA2xx
- 6 Crown and Drive Kit  
MTCRDR-28-1.5 - Kit for 1.5" tube  
MTCRDR-28-2 - Kit for 2" tube
- 7 Aluminium Tube  
RTEA4T## - 1.5" tube  
RTEA5T## - 2" tube
- 8 Screws for Adapter  
SLAMSCREW

# - Size  
xxx- Color

**PRODUCT OPTIONS**

**SUN SENSOR**



**SYSTEM UPGRADES**

- CASSETTE 80/100/120
- FASCIA 3"/4"/5"
- LINK SYSTEM
- POCKETS 3"/4"/5"/6"

**CONTROL OPTIONS**

**PARADIGM REMOTES**



**WALL SWITCH**



**SMART HOME**



**PULSE**



**CHARGERS**

**ELECTRIC**

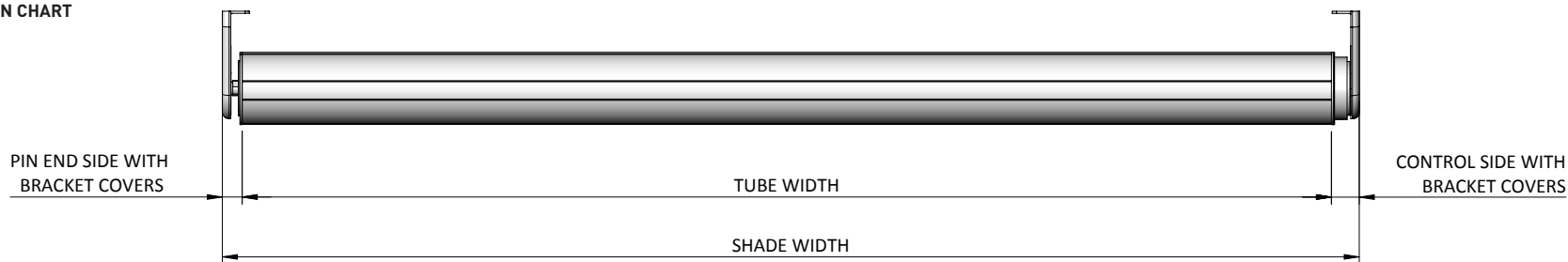


**SOLAR**



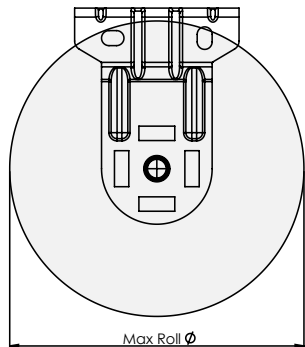
SPECIFICATIONS

DEDUCTION CHART



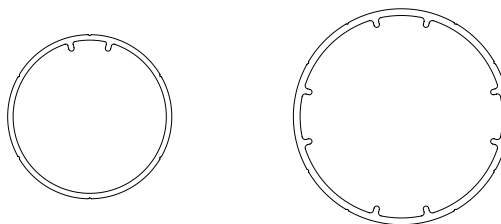
| MOTOR                        | TUBE      | BRACKET             | PIN END     | CONTROL SIDE | OVERALL DEDUCTION |
|------------------------------|-----------|---------------------|-------------|--------------|-------------------|
| MTDCBRFQ28-2/<br>MTDCRFQ28-2 | 1.5" Tube | With Bracket Covers | .59" [15mm] | .79" [20mm]  | 1.38" [35mm]      |
|                              |           | No Bracket Covers   | .51" [13mm] | .75" [19mm]  | 1.26" [32mm]      |
|                              | 2.0" Tube | With Bracket Covers | .55" [14mm] | .75" [19mm]  | 1.30" [33mm]      |
|                              |           | No Bracket Covers   | .51" [13mm] | .71" [18mm]  | 1.22" [31mm]      |

MAX ROLL



| BRACKET   | MAX ROLL SIZE  |
|-----------|----------------|
| SLxx650xx | 2.35" [59.0mm] |
| SLxx660xx | 3" [76.2mm]    |
| SLxx680xx | 4" [101.6mm]   |
| SLxx690xx | 5" [127.5mm]   |

TUBE SPECS



1.5" Tube

Code: RTEA4T12  
RTEA4T16  
OD: 1.5" [38mm]  
Length 12',16'  
[3.66m, 4.88m]

2.0" Tube

Code: RTEA5T12 (with tape)  
RTEA5U12  
RETA5T16(with tape)  
RTEA5U16  
OD: 2.0" [51mm]  
Length 12',16'  
[3.66m, 4.88m]

| MAX DROP         |                 |
|------------------|-----------------|
| 1.5" TUBE        | 2.0" TUBE       |
| 10.17' [3.10m]** | 4.59' [1.40m]** |
| 13.12' [4.00m]*  | 13.12' [4.00m]* |

\* Recommended Max Drop. Exceeding this value may cause fabric tracking issues  
\*\* SLxx650xx ONLY

28mm SYSTEM CAPACITY

