

# CONTRACT SERIES ONE

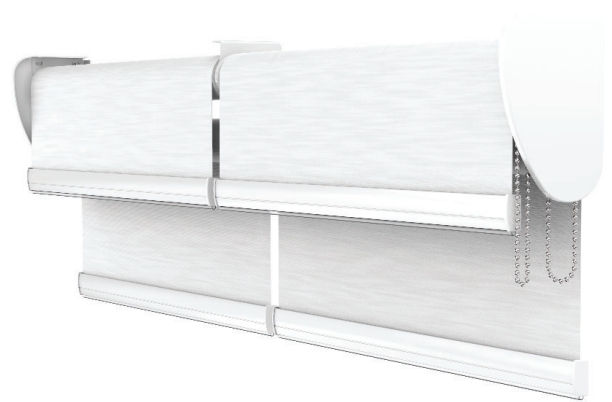
## Medium Open Dual Roller Shade

### Clutch Control



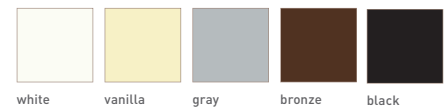
Our clutch control open dual roller system is the ultimate in dynamic light control. Designed to compactly house two shades, the dual system's industrial finish allows users to achieve both light filtering with an open fabric and room darkening when layered with a blackout fabric, without having to compromise. The medium open dual system is innovative and modular, ensuring it is simple to install.

- Durable construction and modern design.
- Cost-effective.
- Compact and easily hidden in internal recesses.
- Dynamic light and heat control can aid in increasing energy efficiency.
- Industrial aesthetic.
- Smooth and controlled operation.
- Single & linked shade applications.
- Brighter white and colored options available.
- Max width of 120" (based on 120" drop). Capacity to cover areas up to 100 sqf.
- Architectural Spline



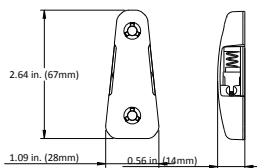
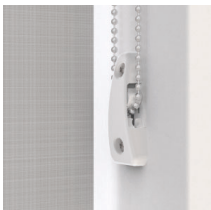
Match this solution with any of our sunscreen, blackout or high performance fabrics for a complete finished solution. See our document library for comprehensive information including HPD, LEED & NRC specifications.

### BRACKET COLOURS

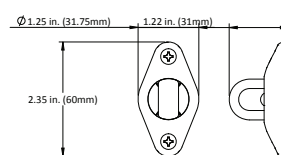


### CHILD SAFE OPTIONS

#### Chainhold

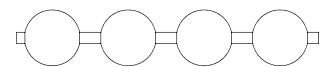


#### Safety Hold 3



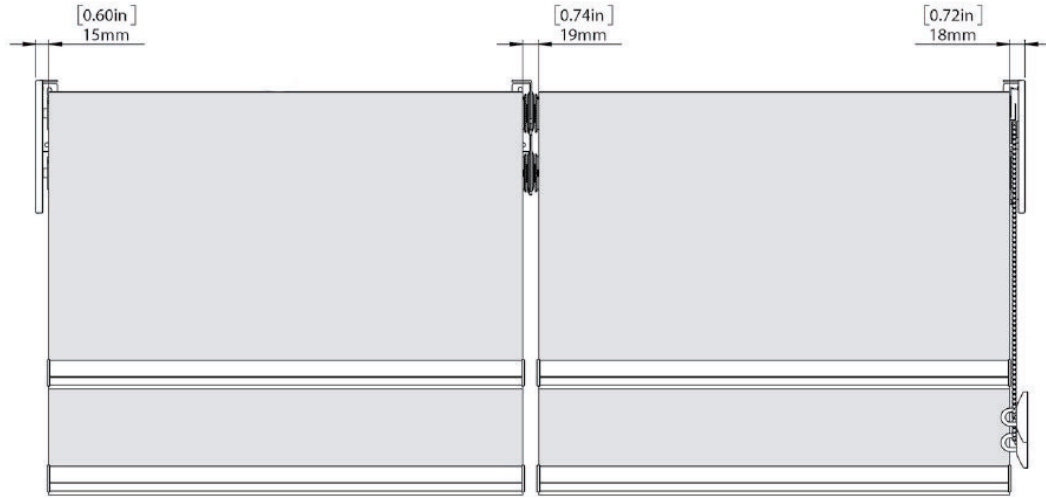
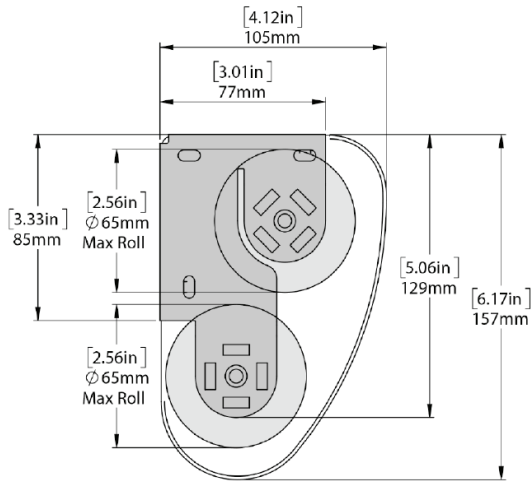
### CHAIN OPTIONS

#### Stainless Steel or NPS

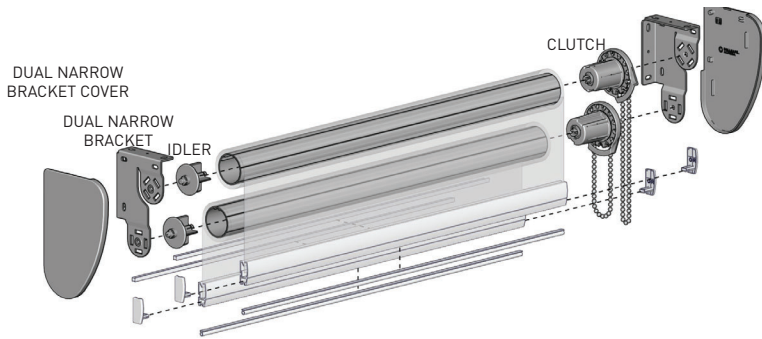


- APPROXIMATELY 50-51 BALLS PER FOOT
- NICKLE PLATED STEEL: AVG. TENSILE STRENGTH 50 LBS
- STAINLESS STEEL: AVG. TENSILE STRENGTH 120 LBS

## FRONT & SIDE VIEW



## SCHEMATIC

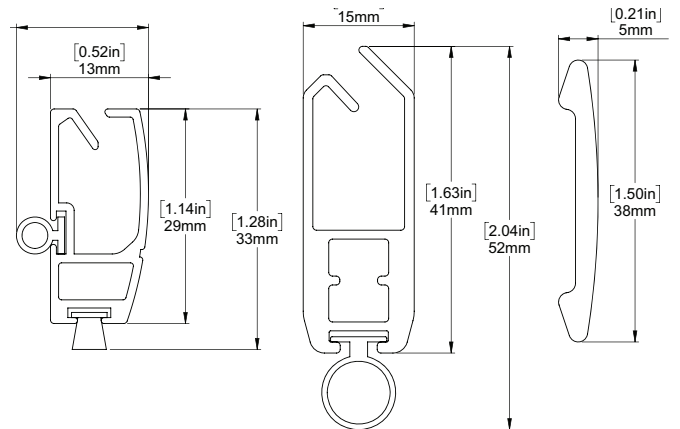


## BOTTOM RAIL OPTIONS

Sub heading

Sub heading

Sub heading



## SYSTEM UPGRADES

### 5" Pocket

[for hidden recess mounts]



### L & I Clips

[for hidden recess mounts]



### Edge Side Channels

[for improved light blackout]



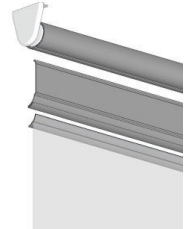
### Internal Wire Guide

[supporting complex shade systems]



### Fabric Switch System

[fast easy changing of fabric on a roller shade]



For more information about our Upgrade solutions, see our UPGRADE SPECIFICATION sheets.