

CONTRACT SERIES ONE

Medium Open Dual Roller Shade

Wire Free / Low Voltage 12V / Solar

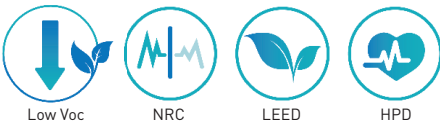
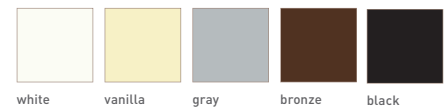


The wire-free dual shade system is battery operated and easy to install. The dual shade system can house two individual motors for complete control of each shade. Concealed within the system, the motors are unobtrusive to the modern and industrial aesthetic of the compact open roll and can provide a complete net-zero powered solution when paired with our Solar Charger. Conveniently achieve both light filtering and room darkening at the touch of a button, perfect for audio/visual room's or where ultimate light control is vital.

- Durable construction, modern design and Industrial aesthetic.
- Stylish single or multi-channel remote controls & smart phone compatibility.
- Compact and easily hidden in internal recesses.
- Dynamic light and heat control can aid in increasing energy efficiency.
- ARC™ enabled, battery operated, completely wire-free, quiet operation.
- Levelling control; multiple shades finish in the same position for a premium aesthetic
- Optional solar panel for energy efficient constant charging.
- Single & linked shade applications.
- Brighter white and colored options available.
- Max width of 120" (based on 120" drop). Capacity to cover areas up to 100 sqf.



BRACKET COLOURS



Match this solution with any of our sunscreen, blackout or high performance fabrics for a complete finished solution. See our document library for comprehensive information including HPD, LEED & NRC specifications.

BATTERY MOTOR OPTIONS

Automate Pulse Hub
[Smart Phone Control]



Automate ARC Repeater
[Extends the ARC signal]



Automate Remotes
[Hand held or wall mounts]



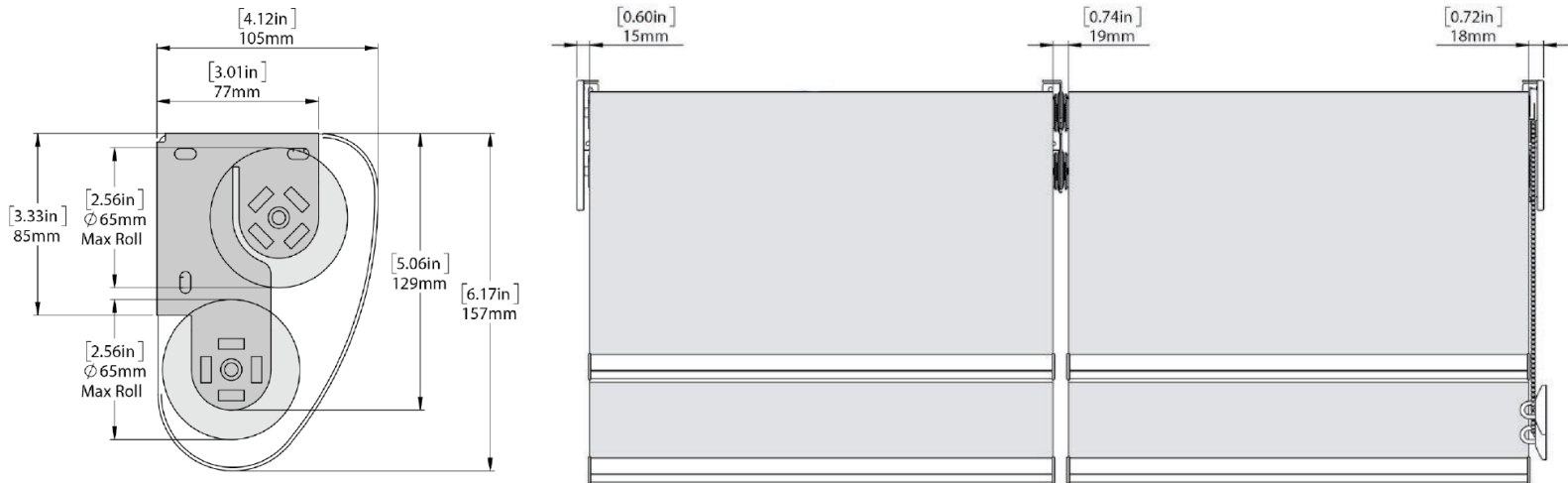
Automate Sun Sensor
[Detects sunlight to control shade]



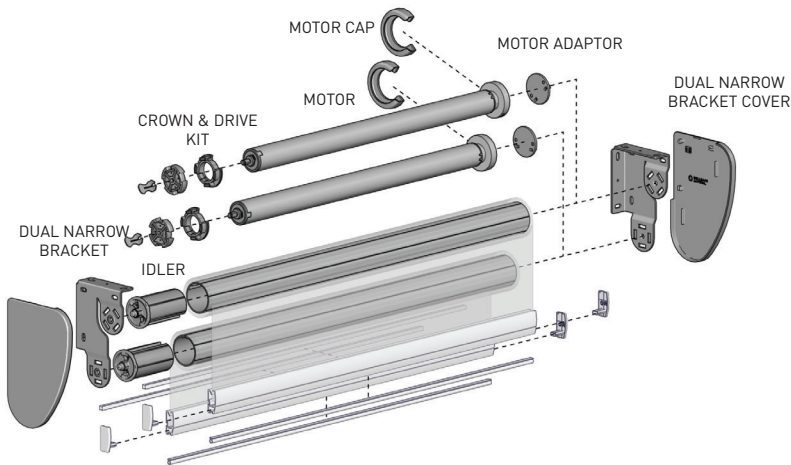
DC Power Channel
[Provides power for 18 DC ARC motors]



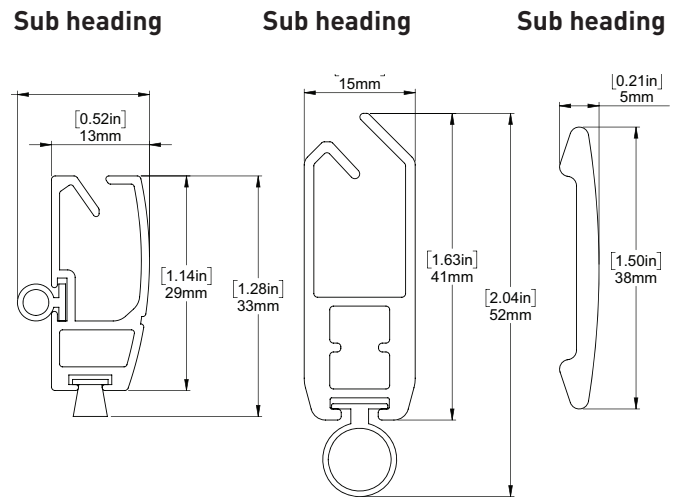
FRONT & SIDE VIEW



SCHEMATIC



BOTTOM RAIL OPTIONS



SYSTEM UPGRADES

5" Pocket

[for hidden recess mounts]



L & I Clips

[for hidden recess mounts]



Edge Side Channels

[for improved light blackout]



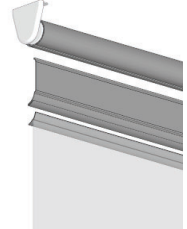
Internal Wire Guide

[supporting complex shade systems]



Fabric Switch System

[fast easy changing of fabric on a roller shade]



For more information about our Upgrade solutions, see our UPGRADE SPECIFICATION sheets.