

# CONTRACT SERIES ONE

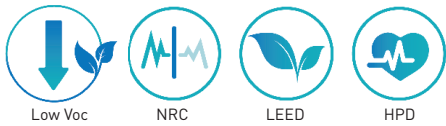
## Medium Open Roller Shade

AC WIRED Motorized Control

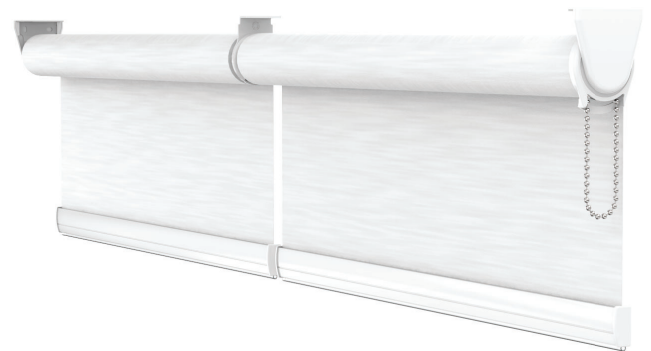


Precision engineered, automated and efficient the motorized Contract Series One shading system, integrates a powerful, yet quiet motor, directly in the tubing of the roller. The motorized shade is durably constructed and designed to accentuate the contemporary feel of any space. Maintain a minimal and modern aesthetic, enhance privacy, view through and enable the ultimate light and thermal control. The Contract Series One system sets the bench march for performance, design and comfort.

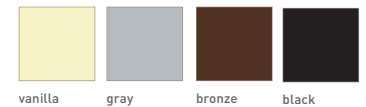
- Precision engineered, durable construction and modern design.
- Enables view through and privacy with minimal light gaps
- Enhances sustainability and efficiency with complete light and thermal control.
- Integrated, ARC™ enabled, motorization.
- Ultra-quiet operation.
- Stylish single or multi-channel remote controls & smart phone compatibility.
- Single & linked shade applications.
- Levelling control; multiple shades finish in the same position for a premium aesthetic
- Constantly wired and powered solution.
- Max width of 120" (based on 120" drop). Capacity to cover areas up to 100 sqf.



Match this solution with any of our sunscreen, blockout or high performance fabrics for a complete finished solution. See our document library for comprehensive information including HPD, LEED & NRC specifications.



### BRACKET COLOURS



### WIRED MOTOR OPTIONS

**Automate Pulse Hub**  
[Smart Phone Control]



**Automate ARC Repeater**  
[Extends the ARC signal]



**Automate Remotes**  
[Hand held or wall mounts]



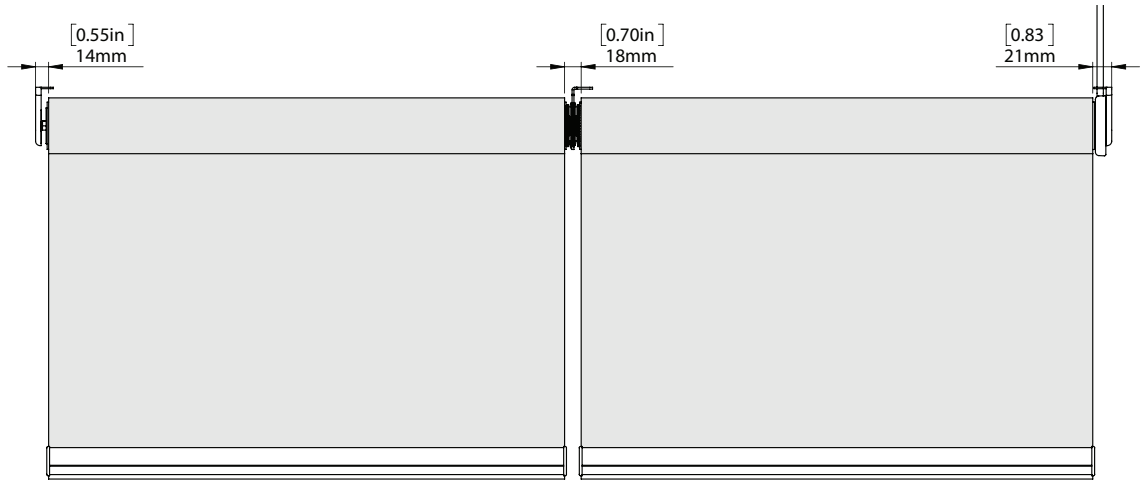
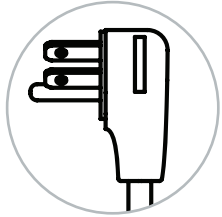
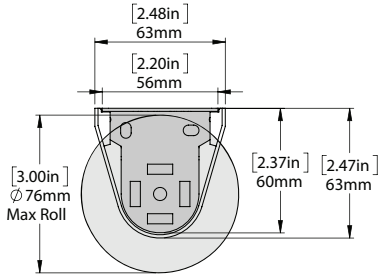
**Automate Sun Sensor**  
[Detects sunlight to control shade]



**DC Power Channel**  
[Provides power for 18 DC ARC motors]

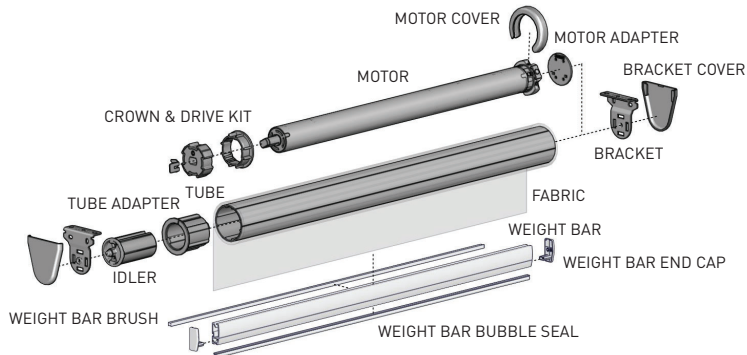


## FRONT & SIDE VIEW



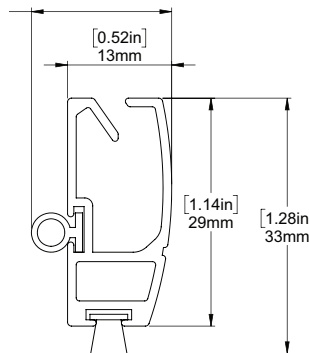
NOTE: LIGHT GAP INCLUDES BRACKET COVERS

## SCHEMATIC

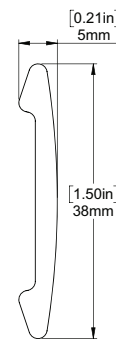


## BOTTOM RAIL OPTIONS

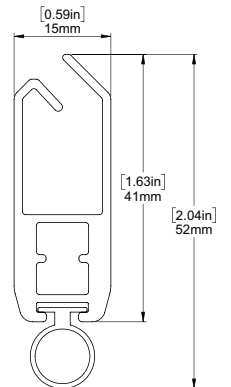
### D30 SILENT WEIGHT BAR



### INTERNAL HEM BAR



### F4115 HEM BAR



## SYSTEM UPGRADES

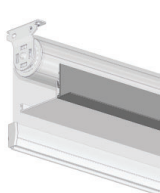
### 5" Pocket

[for hidden recess mounts]



### L & I Clips

[for hidden recess mounts]



### Edge Side Channels

[for improved light blackout]



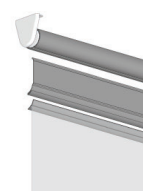
### Internal Wire Guide

[supporting complex shading systems]



### Fabric Switch System

[fast easy changing of fabric on a roller shade]



For more information about our Upgrade solutions, see our UPGRADE SPECIFICATION sheets.