

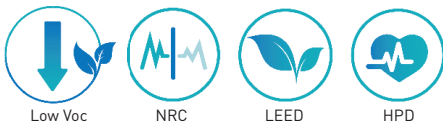
# CONTRACT SERIES ONE

## Medium Open Roller Shade Clutch Control



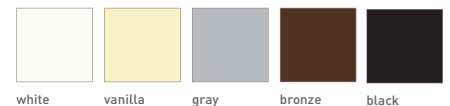
The precision engineered Contract Series One manual open roller shade, is a durable and robust combination of form and function. Designed to deliver a simple user experience, the RS38 is constructed with a sturdy fiberglass base scrim, enables complete thermal and light control, and embraces a sophisticated aesthetic. Featuring minimal light gaps, increased privacy, view through and sustainability, setting the benchmark for natural light management.

- Precision engineered, durable construction and modern design.
- Enables view through and privacy with minimal light gaps
- Enhances sustainability and efficiency with complete light and thermal control.
- Minimal aesthetic.
- Smooth and controlled operation.
- Single & linked shade applications.
- White and colored options available.
- Max width of 120" (based on 120" drop). Capacity to cover areas up to 100 sqf.



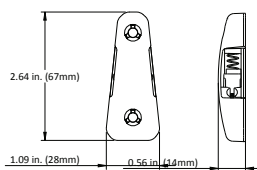
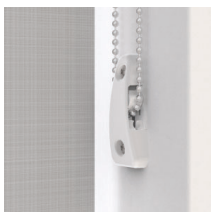
Match this solution with any of our sunscreen, blockout or high performance fabrics for a complete finished solution. See our document library for comprehensive information including HPD, LEED & NRC specifications.

### BRACKET COLOURS

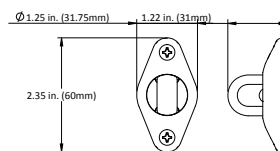


### CHILD SAFE OPTIONS

#### Chainhold



#### Safety Hold 3



### CHAIN OPTIONS

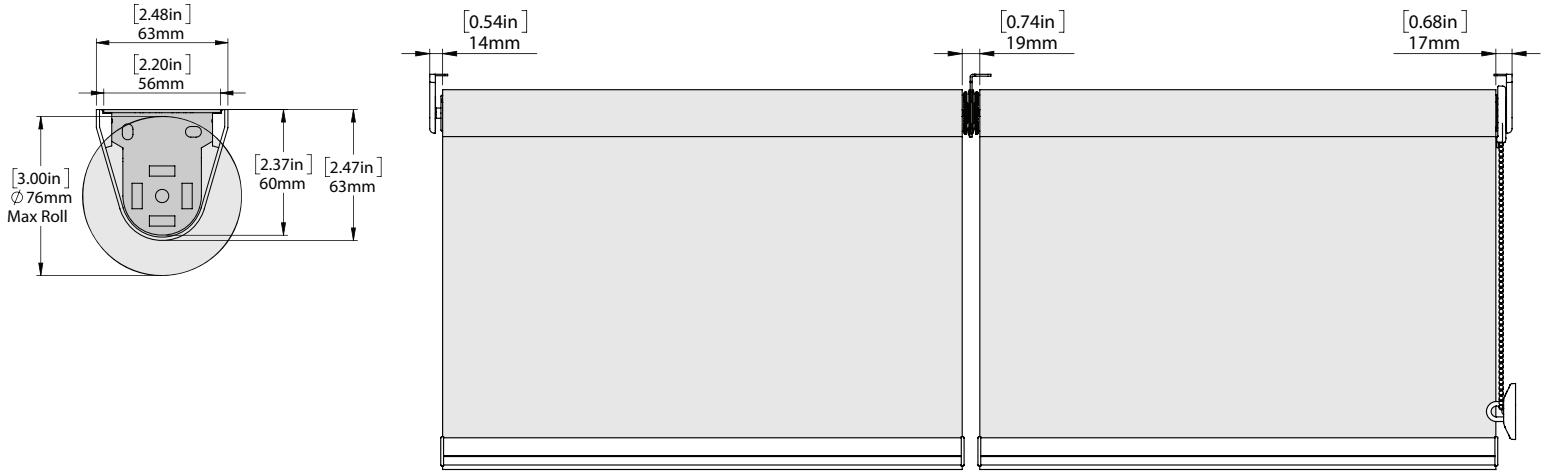
#### Stainless Steel or NPS



APPROXIMATELY 50-51 BALLS PER FOOT

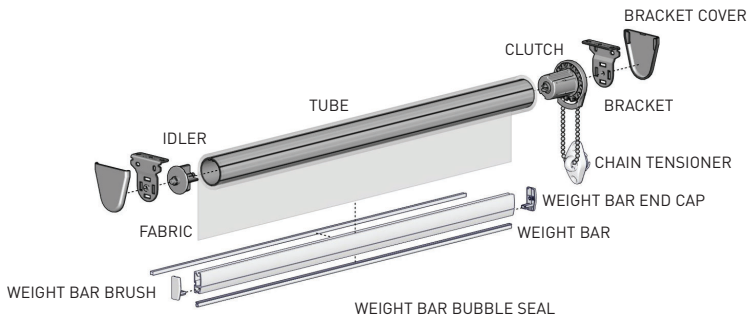
- NICKLE PLATED STEEL: AVG. TENSILE STRENGTH 50 LBS
- STAINLESS STEEL: AVG. TENSILE STRENGTH 120 LBS

# FRONT & SIDE VIEW

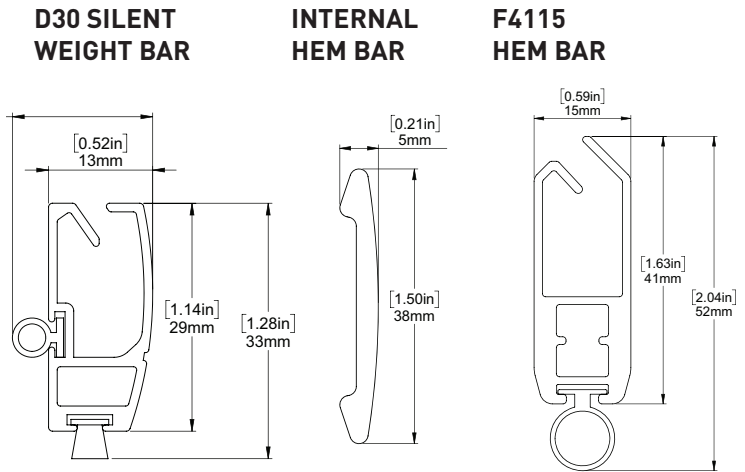


NOTE: LIGHT GAP INLCUDES BRACKET COVERS

# SCHEMATIC



# BOTTOM RAIL OPTIONS

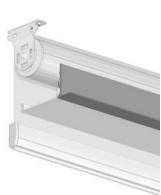


# SYSTEM UPGRADES

**5" Pocket**  
[for hidden recess mounts]



**L & I Clips**  
[for hidden recess mounts]



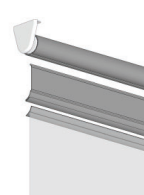
**Edge Side Channels**  
[for improved light blackout]



**Internal Wire Guide**  
[supporting complex shading systems]



**Fabric Switch System**  
[fast easy changing of fabric on a roller shade]



For more information about our Upgrade solutions, see our UPGRADE SPECIFICATION sheets.