

S45 Automate | 25mm

The motorized S45 roller shade system offers two Automate motors with three tube diameters to suit a variety of applications. Featuring ARC (Automate Radio Communication), the 25mm S45 Automate system provides an intelligent, Li-ion battery, or a DC powered solution.

AESTHETIC FEATURES

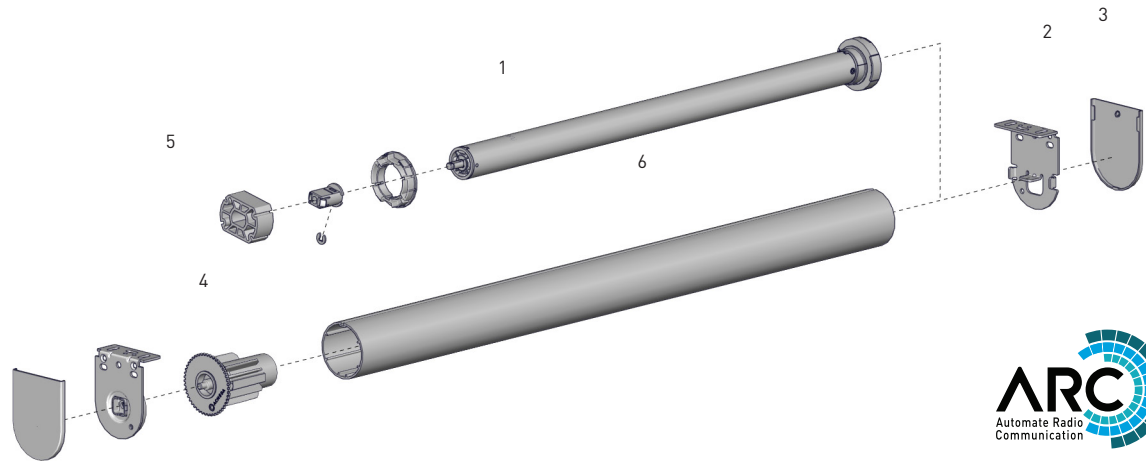
- Slim and compact roller blind system
- Contemporary design

ASSEMBLY / PRODUCTION FEATURES

- Easy-Lock effortless installation
- Easy limit setting and programming.

FUNCTIONAL BENEFITS

- Leveling control
- Simple limit setting and adjustment
- Favorite position
- 3 operational speed settings
- 2-way RF communication
- ARC protocol for simple programming



SYSTEM INDEX

1	Automate Motor 25mm a. MTDCBRF25-1.1 - Li-ion 1.1 b. MTDCRF25-1.1 - DCRF 1.1
2	Brackets RB40-8355-xxx040 RB40-9355-xxx040
3	Bracket Covers RB08-4151-xxx040
4	Pin End RB08-0503-xxx045 RB09-0245-xxx001
5	Crown and Drive Kit MTCRDR-25-S45
6	Aluminium Tube RB93-044#-000490 RB93-644#-000490

- Size
xxx- Color

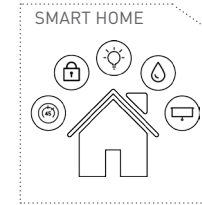
PRODUCT OPTIONS



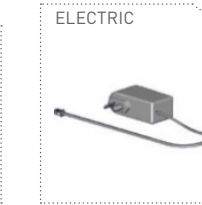
SYSTEM UPGRADES

- CF90 CASSETTE
- CF90 EDGE
- LINK SYSTEM

CONTROL OPTIONS

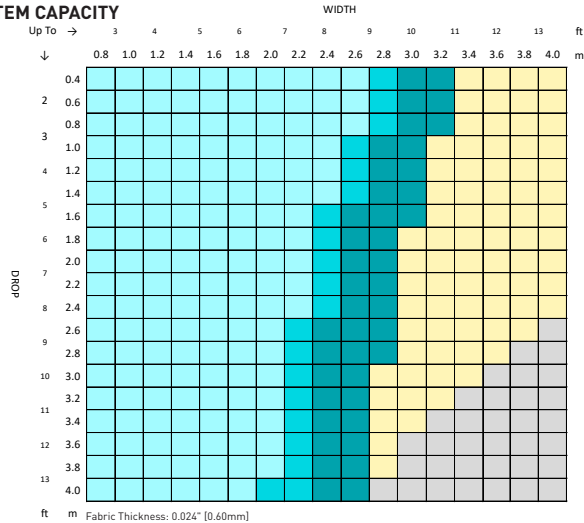


CHARGERS



SPECIFICATIONS

25mm SYSTEM CAPACITY

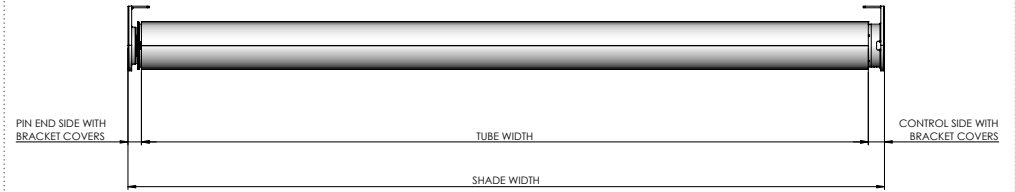


Fabric Thickness: 0.024" [0.60mm]
 Fabric Density: 12.39oz/yd² [420gsm]
 Weight Bar: D30 Silent Medium Aluminium Bottom Rail

U-Ion 1.1 MN WIDTH 0.57m (1.87)
 DCRF 1.1 MN WIDTH 0.42m (1.38)

CONTROL	TUBE	LINK SYSTEM
25mm Motor	S45 LIGHT	1.5" ONLY
	S45 STANDARD	
	S45 HEAVY DUTY	
	OUTSIDE SPECIFICATIONS	

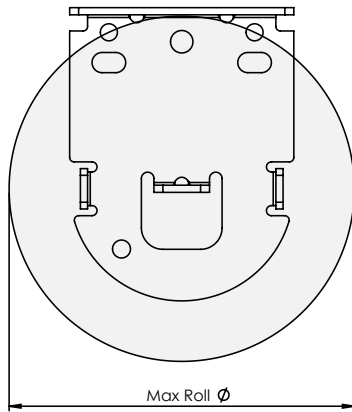
DEDUCTION CHART



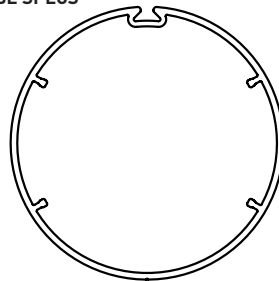
MOTOR		PIN END	CONTROL SIDE	OVERALL DEDUCTION
MTDCBRF25-1.1/ MTDCRF25-1.1	With Bracket Covers	.55" [14mm]	.63" [16mm]	1.18" [30mm]
	No Bracket Covers	.51" [13mm]	.55" [15mm]	1.10" [28mm]

MAX ROLL

BRACKET	MAX ROLL SIZE
RB40-8355-xxx040 RB40-9355-xxx040	3" (76mm)

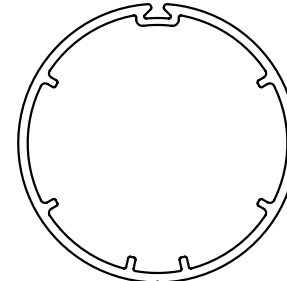


TUBE SPECS



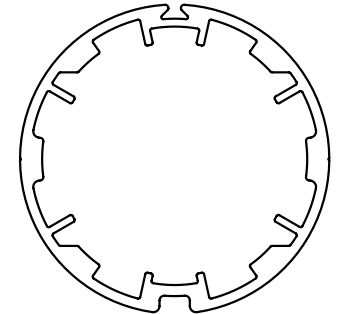
S45 LIGHT T-SPLINE TUBE

Code: RB93-0443-000490
 RB93-6443-000490 (with tape)
 OD: 1.69" [43mm]
 Length 16' [4.9m]



S45 STANDARD T-SPLINE TUBE

Code: RB93-0444-000490
 RB93-6444-000490 (with tape)
 OD: 1.73" [44mm]
 Length 16' [4.9m]



S45 HEAVY DUTY T-SPLINE TUBE

Code: RB93-0449-000490
 RB93-6449-000490 (with tape)
 OD: 1.93" [49mm]
 Length 16' [4.9m]

MAX DROP		
S45 LIGHT	S45 STANDARD	S45 HEAVY DUTY
13.12' [4.00m]*		

* Recommended Max Drop. Exceeding this value may cause fabric tracking issues