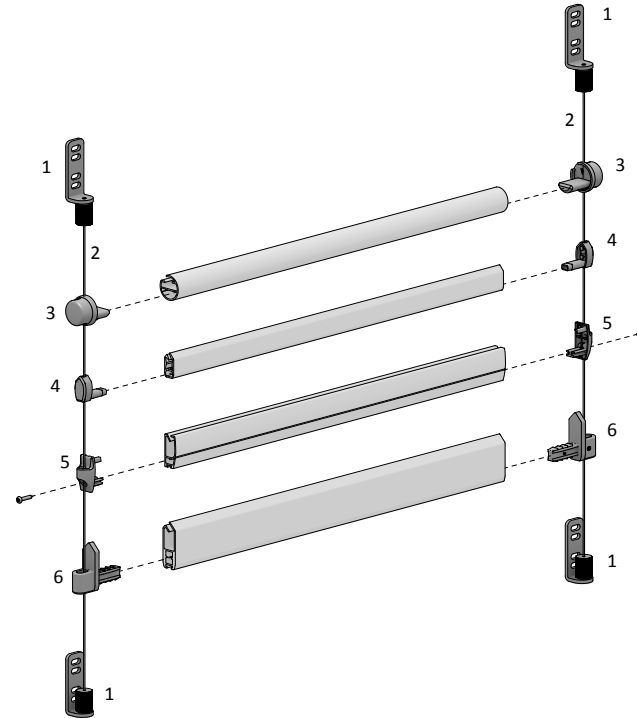


OVERVIEW: INTERNAL WIRE GUIDE SYSTEM INFORMATION

Acmeda's Internal Wire Guide System provides a functional, secure guide for the Easy-Lock Roller Blind range.

FEATURES/BENEFITS

- Tensioners available to suit Top or Face Fix applications.
- Adjustable wire barrel attachment.
- Wire guide end caps available to accompany various bottom rails.
- 1.2mm stainless steel tensioning cable.
- Compatible with Acmeda Easy-Lock Chain Winder, Motorised or Gear Systems.
- Available in Zinc Plated and Stainless Steel finishes.
- Crimping & wire cutting tools available.



NOTE:

With constant pressure applied on the bottom rail end caps due to wind or force, we recommend the end caps be fixed with a screw into the bottomrail.

SYSTEM INDEX

- | | |
|---|---|
| 1 | Base 50 Tension Wire Stopp + Adjstr
RB91-3120-xxx000 · Top/Ceiling Fix
RB91-3121-xxx000 · Face/Wall Fix |
| 2 | Wire Guide Tensioning Cable - 1.2mm
RB91-3602-010012 |
| 3 | ROUND Bottom Rail WIRE GUIDE End Cap
RB91-2201-xxx002 |
| 4 | FLAT Bottom Rail WIRE GUIDE End Cap
RB91-2205-xxx001 |
| 5 | D30 Bottom Rail WIRE GUIDE End Cap
RB91-2231-xxx002 |
| 6 | F4115 FLAT HD B/Rail WIRE GUIDE End Cap
SB06-0210-xxx003 |

xxx= colour

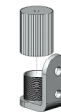
COLOUR RANGE



pure white 069 sandstone 269 silver grey 338 black 050

SYSTEM OPTIONS

Tension Wire Adjust.
Face/Wall Fix



COMPATIBLE SYSTEMS

Chain Control S35 / S40 / S45



Crank Gear S45



Motorised S45

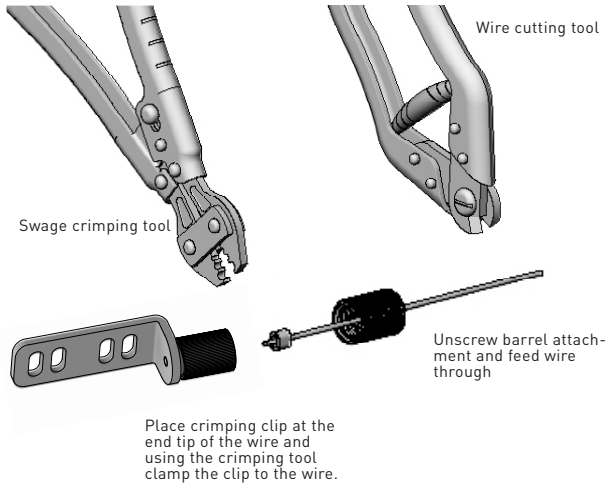


Spring Booster S35 / S40 / S45

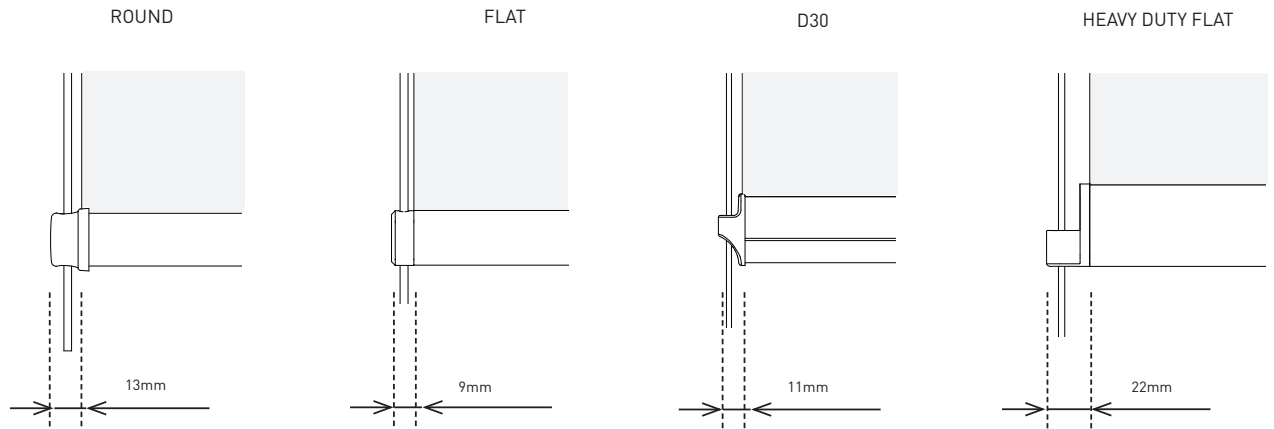


SPECIFICATIONS: INTERNAL WIRE GUIDE SYSTEM INFORMATION

ASSEMBLY



DEDUCTIONS



INSTALLATION OPTIONS

