

S45 Automate | 28mm

The motorized S45 roller shade system offers two Automate motors for three tube diameters to suit a variety of applications. Featuring ARC (Automate Radio Communication), the 28mm S45 Automate system provides an intelligent, Li-ion battery, or a DC powered solution.

AESTHETIC FEATURES

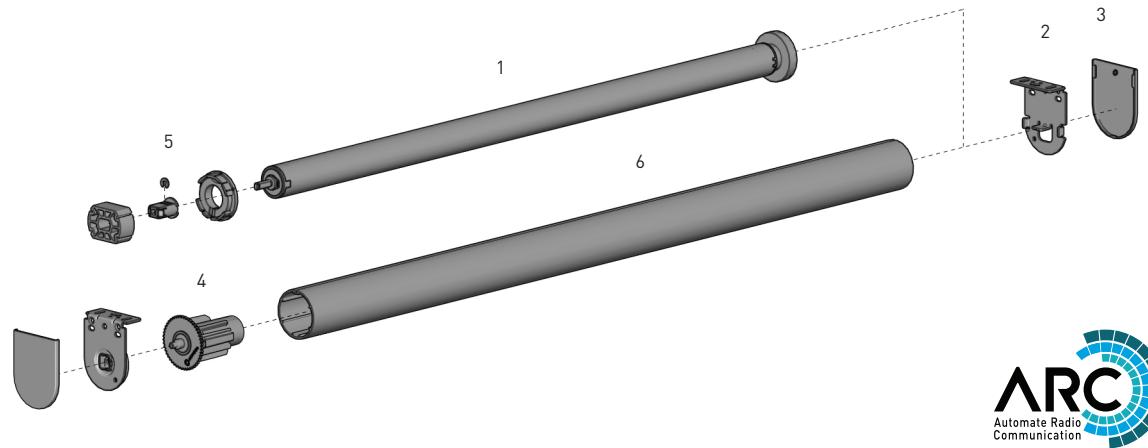
- Slim and compact roller blind system
- Contemporary design

ASSEMBLY / PRODUCTION FEATURES

- Easy-Lock effortless installation
- Easy limit setting and programming.

FUNCTIONAL BENEFITS

- Leveling control
- Simple limit setting and adjustment
- Favorite position
- 3 operational speed settings
- 2-way RF communication
- ARC protocol for simple programming

**SYSTEM INDEX**

- Automate Motor | 28mm
 - MTDCBRFQ28-2 - Li-ion Q2.0
 - MTDCRFQ28-2 - DCRF Q2.0
- Brackets
 - RB40-8355-xxx040
 - RB40-9355-xxx040
- Bracket Covers
 - RB08-4151-xxx040
- Pin End
 - RB08-0503-xxx045
 - RB09-0245-xxx001
- Crown and Drive Kit
 - MTCRDR-28-S45
- Aluminium Tube
 - RB93-044#-000490
 - RB93-644#-000490

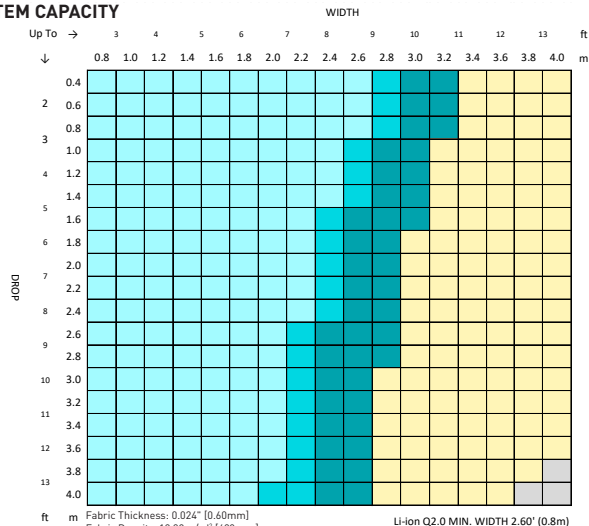
PRODUCT OPTIONS**SUN SENSOR****SYSTEM UPGRADES**

- CF90 CASSETTE
- CF90 EDGE
- LINK SYSTEM

CONTROL OPTIONS**PARADIGM REMOTES****WALL SWITCH****SMART HOME****PULSE****CHARGERS****ELECTRIC****SOLAR**

SPECIFICATIONS

28mm SYSTEM CAPACITY

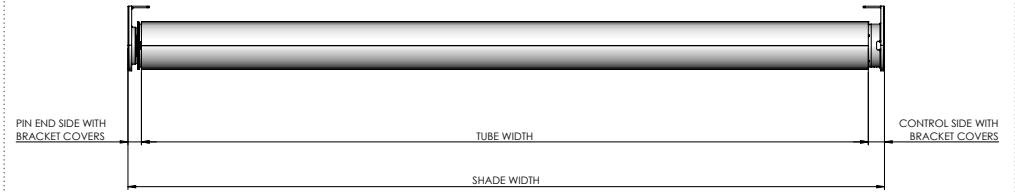


Fabric Thickness: 0.024" [0.61mm]
 Fabric Density: 12.39oz/yd² [420gsm]
 Weight Bars: D30 Silent Medium Aluminum Bottom Rail

Li-Ion Q2.0 MIN. WIDTH 2.60" (0.8m)
 DCRF Q2.0 MIN. WIDTH 2.00" (0.6m)

CONTROL	TUBE	LINK SYSTEM
28mm Motor	S45 - LIGHT	
	S45 - STANDARD	
	S45 - HEAVY DUTY	
OUTSIDE SPECIFICATIONS		

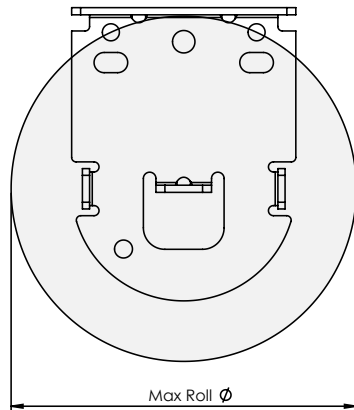
DEDUCTION CHART



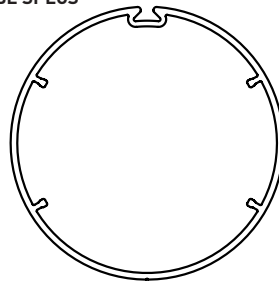
MOTOR		PIN END	CONTROL SIDE	OVERALL DEDUCTION
MTDCBRFQ28-2/ MTDCRF28-2	With Bracket Covers	.55" [14mm]	.60" [15mm]	1.14" [29mm]
	No Bracket Covers	.51" [13mm]	.55" [14mm]	1.06" [27mm]

MAX ROLL

BRACKET	MAX ROLL SIZE
RB40-8355-xxx040 RB40-9355-xxx040	3" (76mm)

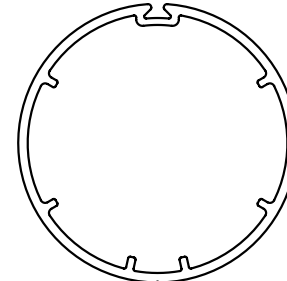


TUBE SPECS



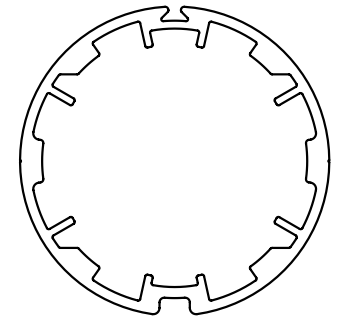
S45 LIGHT T-SPLINE TUBE

Code: RB93-0443-000490
 RB93-6443-000490 (with tape)
 OD: 1.69" (43mm)
 Length 16' (4.9m)



S45 STANDARD T-SPLINE TUBE

Code: RB93-0444-000490
 RB93-6444-000490 (with tape)
 OD: 1.73" (44mm)
 Length 16' (4.9m)



S45 HEAVY DUTY T-SPLINE TUBE

Code: RB93-0449-000490
 RB93-6449-000490 (with tape)
 OD: 1.93" (49mm)
 Length 16' (4.9m)

MAX DROP		
S45 LIGHT	S45 STANDARD	S45 HEAVY DUTY
13.12' [4.00m]*		

* Recommended Max Drop. Exceeding this value may cause fabric tracking issues