

EASY SPRING ULTRA - 1.5"

Rollase Acmeda Easy Spring Ultra single roller system offers a high quality, aesthetically pleasing and technologically advanced spring controlled solution. The blind will open to your preferred top location in a smooth and controlled motion, with one simple touch.

AESTHETICAL FEATURES

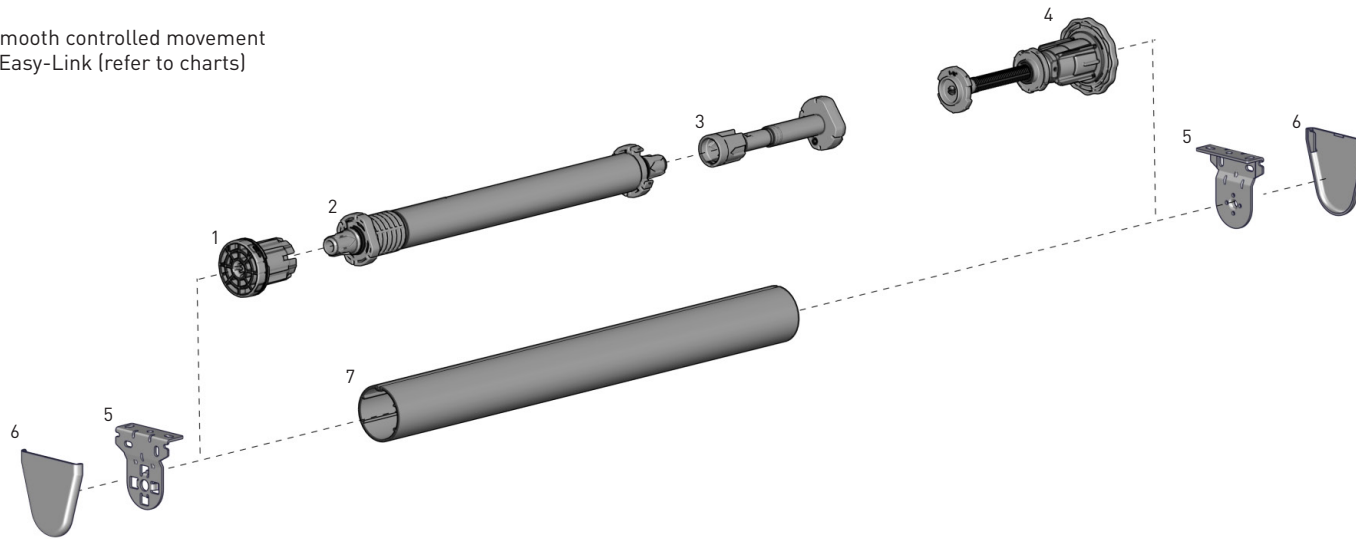
- Minimal light gaps
- Color matched bracket covers provide a neat overall finish
- Optional square or round enclosed headbox

PRODUCTION / ASSEMBLY FEATURES

- Pre-tensioning through Spring Head Control
- Single Top Limit Setting function, simple and intuitive to set the limit
- Color coded LH & RH hardware for quick & easy assembly
- Universal Single Stop Limiter for both orientations

FUNCTIONAL BENEFITS

- Auto-rise functionality with manual lowering
- Top limit setting for an easy user experience
- Can be installed onto wall, ceiling & inside fix applications
- Patent protected
- Decelerator for smooth controlled movement
- Compatible with Easy-Link (refer to charts)



SYSTEM INDEX

| | |
|---|--|
| 1 | Spring Control RB12-3200-xxx038 - 1.5" |
| 2 | Booster Uni. RB12-3800-269038 - 1.5" Short RB12-3801-069038 - 1.5" Light RB12-3802-338038 - 1.5" Standard |
| 3 | Booster Decelerator RB12-7102-xxx238 - 1.5" RH RB12-7101-xxx138 - 1.5" LH |
| 4 | Limiter - Single Stop Universal RB12-6000-xxx038 - 1.5" |
| 5 | Skyline STD Bracket - Single Stop Limiter 1.5" RB12-2501-xxx038 |
| 6 | Skyline Bracket Cover SLBC |
| 7 | Rollease Tube + M/P Tape 38mm RTEA-4T05-000580 |

xxx= colour

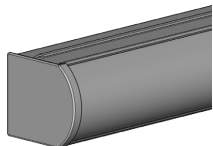
COLOR RANGE



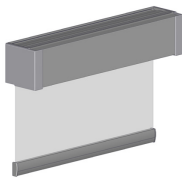
pure white 069 black 050

SYSTEM UPGRADES

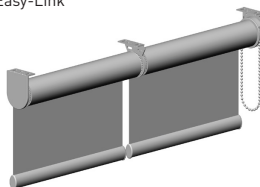
Cassette 100/120



CF90

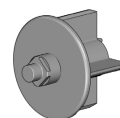


Easy-Link



PRODUCT OPTIONS

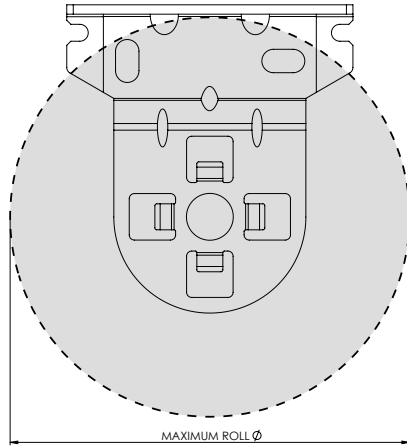
Economy Idler



S45 Roller Shade system
[refer catalog]

SPECIFICATIONS

MAX ROLL



MAXIMUM ROLL SIZE CHART

| | | |
|--------------|------|--------|
| 1.5" Bracket | 78mm | 3.071" |
|--------------|------|--------|

DEDUCTION



| CONTROL TYPE | CONTROL END | | LIMITER END | |
|-------------------|--------------|----------------|--------------|----------------|
| | With Covers | WithOUT Covers | With Covers | WithOUT Covers |
| 1.5" + SL Bracket | 18mm [0.71"] | 16mm [0.63"] | 19mm [0.75"] | 17mm [0.67"] |
| Cassette 100/120 | 15mm [0.59"] | 13mm [0.51"] | 19mm [0.75"] | 17mm [0.67"] |

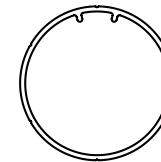
SYSTEM CAPACITY

| DROP | | WIDTH | | | | | | | | | | | | | | | | ft | | |
|------|-----|-------|-----|-----|-----|-----|-----|-----|-----|-----|-----|-----|-----|-----|-----|-----|-----|-----|-----|---|
| | | 2 | 3 | 4 | 5 | 6 | 7 | 8 | 9 | 10 | 11 | 12 | 13 | 13 | 13 | 13 | 13 | | | |
| ft | m | 0.6 | 0.8 | 1.0 | 1.2 | 1.4 | 1.6 | 1.8 | 2.0 | 2.2 | 2.4 | 2.6 | 2.8 | 3.0 | 3.2 | 3.4 | 3.6 | 3.8 | 4.0 | m |
| 2 | 0.6 | | | | | | | | | | | | | | | | | | | |
| | 0.8 | | | | | | | | | | | | | | | | | | | |
| | 1.0 | | | | | | | | | | | | | | | | | | | |
| 4 | 1.2 | | | | | | | | | | | | | | | | | | | |
| | 1.4 | | | | | | | | | | | | | | | | | | | |
| | 1.6 | | | | | | | | | | | | | | | | | | | |
| 6 | 1.8 | | | | | | | | | | | | | | | | | | | |
| | 2.0 | | | | | | | | | | | | | | | | | | | |
| | 2.2 | | | | | | | | | | | | | | | | | | | |
| 8 | 2.4 | | | | | | | | | | | | | | | | | | | |

| LEGEND | DESCRIPTION |
|--------|---|
| | 1.5" [38mm] |
| | 1.5" [38mm] Easy-Link |
| | Cannot be achieved - outside product specifications |

TUBE SPECS

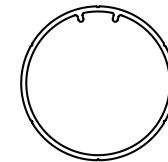
USA



1-1/2" Release Tube + M/P Tape

Code: RTEA4T
 OD: 38.6mm [1.5"]
 Length: 3.7m [12ft], 4.9m [16ft]

AU/EU



1-1/2" Release Tube + M/P Tape

Code: RTEA-4T05-000LLL
 OD: 38.6mm [1.5"]
 Length: 5.8m [19.029ft]