



SKYLIGHT

PRODUCT SPECIFICATIONS

November 2018

CONTENTS

SECTION A WARRANTY	01
SECTION B OVERVIEW	02
GENERAL SCHEMATICS	02
SYSTEM OPTIONS	03
COLOR OPTIONS ..	03
SECTION C SYSTEM SPECIFICATIONS	04
ZIPSCREEN 60MM TUBE	04
ZIPSCREEN 80MM TUBE	05
WIREGUIDE 60MM TUBE	06
WIREGUIDE 80MM TUBE	07
ARCHITECTURAL VIEWS	08
MAXIMUM ROLL DIAMETERS	09
ZIPSCREEN MEASURE & SPECIFY	10

DISCLAIMER

INTRODUCTION

This Product Specifications manual for Skylights has been produced by Rollease Acmeda to supply the necessary information for the safe and correct installation of Skylights.

DISCLAIMER

Rollease Acmeda has used reasonable care in preparing the information included in this document, but makes no representations or warranties as to the completeness or accuracy of the information. Information is supplied upon the condition that the persons receiving the information will make their own determination as to its suitability for their purposes prior to use. Rollease Acmeda assumes no liability whatsoever for any damages incurred by you resulting from errors in or omissions from the information included herein. Rollease Acmeda reserves the right to make changes without further notice to any products to improve reliability, function or design.

COPYRIGHT

COPYRIGHT © ROLLEASE ACMEDA

All rights are reserved. No part of this document may be reproduced or utilised in any means, by any means, electronic or mechanical including photocopying, recordings, or by any information storage or retrieval system, without the express permission from Rollease Acmeda.



SECTION A | WARRANTY

Rollease Acmeda provide a 5 year hardware warranty against defects to the original purchaser.

The Rollease Acmeda 5 year hardware warranty is not to be transferred to the end consumer.

The Rollease Acmeda 5 year hardware warranty is limited to the repair or resupply of defective hardware components to the Zipscreen manufacturer only.

The Rollease Acmeda 5 year hardware warranty is applicable to normal use and assumes the blinds are not used in strong winds/storms and not left down indefinitely.

The Rollease Acmeda 5 year hardware warranty will not apply where the defect arises due to incorrect assembly and installation.

The Rollease Acmeda 5 year hardware warranty is not applicable for coastal applications.

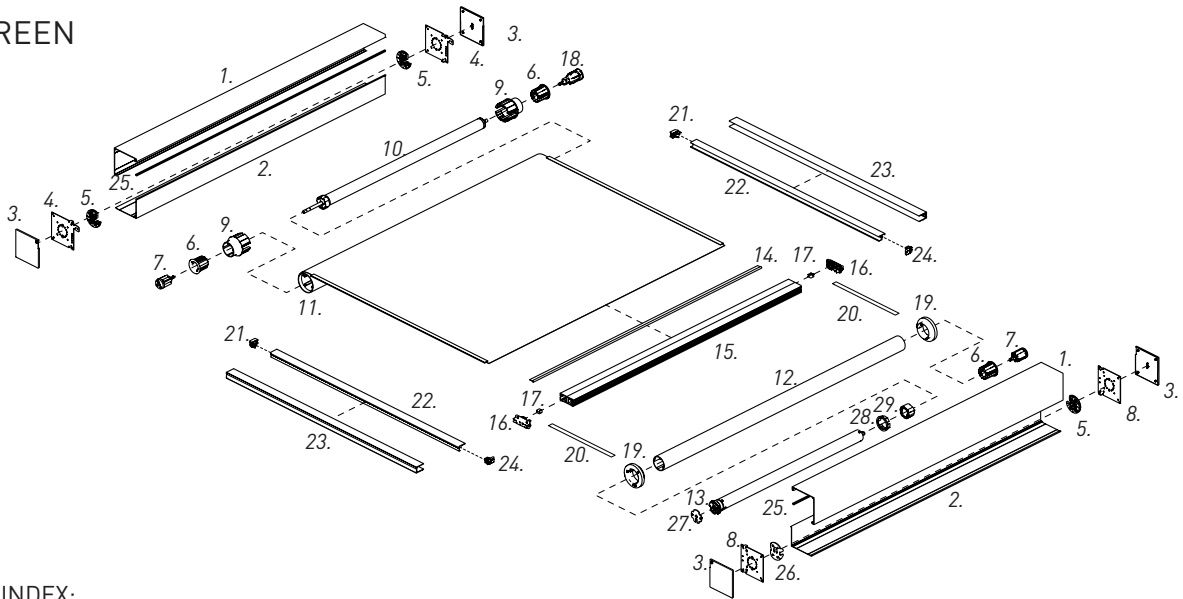
Zipscreen manufacturers to determine specific warranty for overall system (hardware and fabric).

Retailers are obliged to supply consumers with their own warranty, if required, at the point of purchase.



GENERAL SCHEMATICS

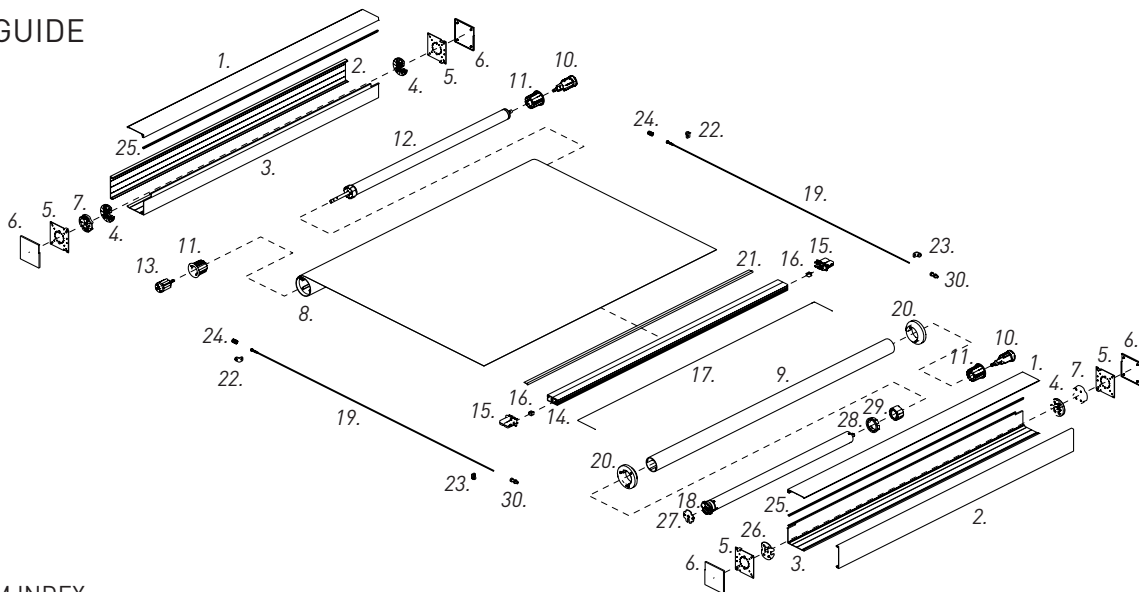
ZIPSCREEN



SYSTEM INDEX:

- | | | |
|---------------------------------|-------------------------------|--------------------------------|
| 1. Box 120 Top & Back | 11. 80 HD Aluminium Tube | 21. Inner Rail Skylight Funnel |
| 2. Box 120 Cover | 12. 60 STD Aluminium Tube | 22. Zip Inner Rail |
| 3. Box 120 End Plate Cover | 13. AUTOMATE Motor 15Nm | 23. 'U' Mounting Rail |
| 4. Box 120 End Plate with Ears | 14. 7.2mm Spline | 24. Inner Rail Zip Funnel |
| 5. RB10 Idler Head Adapter | 15. F72 HD Weight Bar | 25. Fabric Brush T Slot Fit |
| 6. RB10 Tube Adapter | 16. F72 HD Weight Bar End Cap | 26. Motor Adapter |
| 7. RB10 Bearing Idler | 17. Wire Guide Ceramic Block | 27. Motor Head Plate S60 |
| 8. Box 120 End Plate w/out Ears | 18. RB10 Pre-Tension Idler | 28. Crown Wheel S60 |
| 9. Zip Tube Reducer Long | 19. Skylight Tape Spool | 29. Drive Wheel Set S60 |
| 10. RB10 Booster | 20. Lift Tape | |

WIREGUIDE



SYSTEM INDEX:

- | | | |
|------------------------------|-------------------------------------|-----------------------------|
| 1. Box 100 Top | 11. RB10 Tube Adapter | 21. 7.2mm Spline |
| 2. Box 100 Back | 12. RB10 Booster | 22. Wire Rope - Top Bracket |
| 3. Box 100 Cover | 13. RB10 Bearing Idler | 23. Tensioning L-Bracket |
| 4. RB10 Idler Head Adapter | 14. F56 Weight Bar | 24. Compression Spring |
| 5. Universal End Plates | 15. F56 Skylight Wire Guide End Cap | 25. Fabric Brush T Slot Fit |
| 6. End Plate Cover Set | 16. Wire Guide Ceramic Block | 26. Motor Adapter |
| 7. RB10 Idler Adapter Spacer | 17. Lift Tape/Cord | 27. Motor Head Plate S60 |
| 8. 60 STD Aluminium Tube | 18. AUTOMATE Motor 15Nm | 28. Crown Wheel S60 |
| 9. 60 STD Aluminium Tube | 19. 3.2mm Wire Cable | 29. Drive Wheel Set S60 |
| 10. RB10 Pre-Tension Idler | 20. Skylight Tape Spool | 30. Threaded Hollow Bolt |

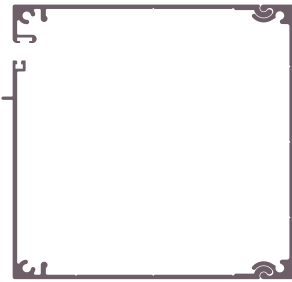
SYSTEM OPTIONS

CONTROL OPTIONS

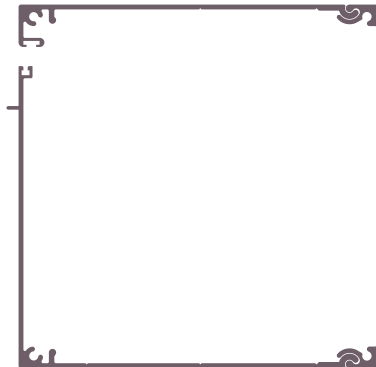


Motor

BOX OPTIONS



BOX 100



BOX 120

COLOR OPTIONS



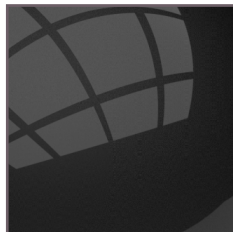
069

WHITE



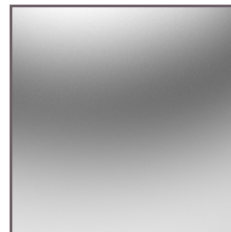
425

PAPERBARK



050

BLACK







020

ANODISED

ZIPSCREEN | 80MM TUBE

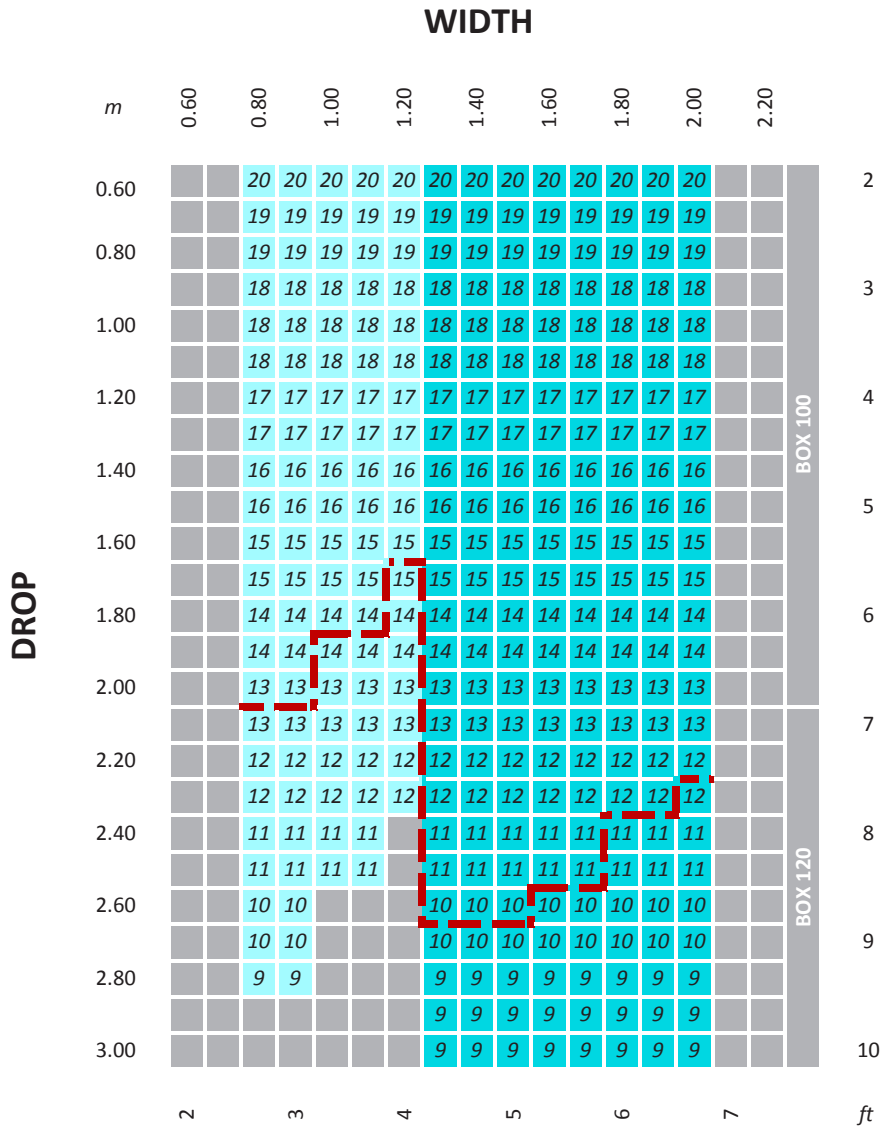
PARAMETERS: FABRIC: 420GSM (12.4OZ/YD²), WEIGHT/HEM BAR: F72 HD






		WIDTH															
		0.60	0.80	1.00	1.20	1.40	1.60	1.80	2.00	2.20	2.40	2.60	2.80	3.00			
DROP	m																
		0.60	21 21														2
		0.80	20 20														3
		1.00	19 19														4
		1.20	18 18														5
		1.40	17 17														6
		1.60	17 17														7
		1.80	16 16														8
		2.00	16 16														9
		2.20	15 15														10
	2.40	15 15															
	2.60	14 14															
	2.80	14 14															
	3.00	13 13															
		13 13															
		12 12															
		2	3	4	5	6	7	8	9	10					BOX 120		
																ft	

LEGEND	DESCRIPTION
	Short Booster
	EXTRA Heavy Booster
	Pre-Turns Required
	Cannot be achieved - outside product specifications

WIREGUIDE | 60MM TUBE

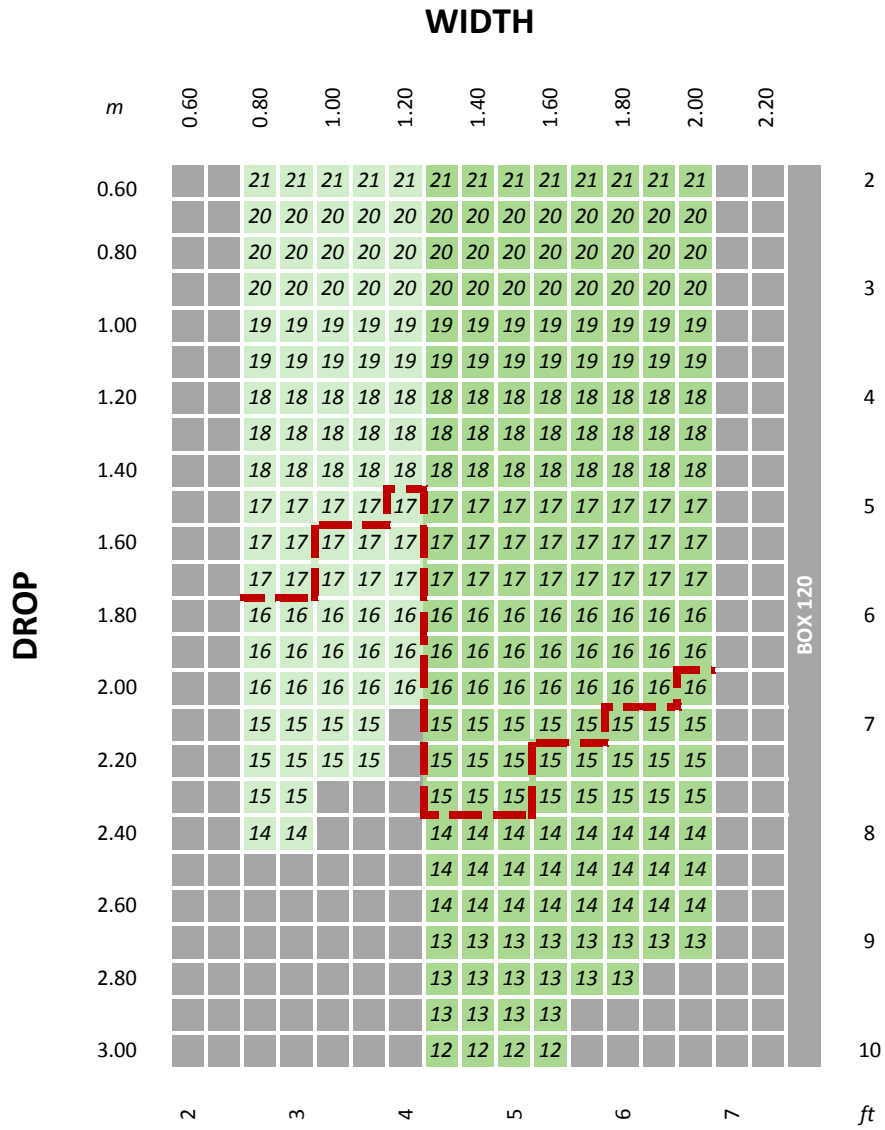
PARAMETERS: FABRIC: 420GSM (12.4OZ/YD²), WEIGHT/HEM BAR: F56 HD



LEGEND	DESCRIPTION
	Short Booster
	EXTRA Heavy Booster
	Optimal fabric Performance
	Pre-Turns Required
	Cannot be achieved - outside product specifications

WIREGUIDE | 80MM TUBE

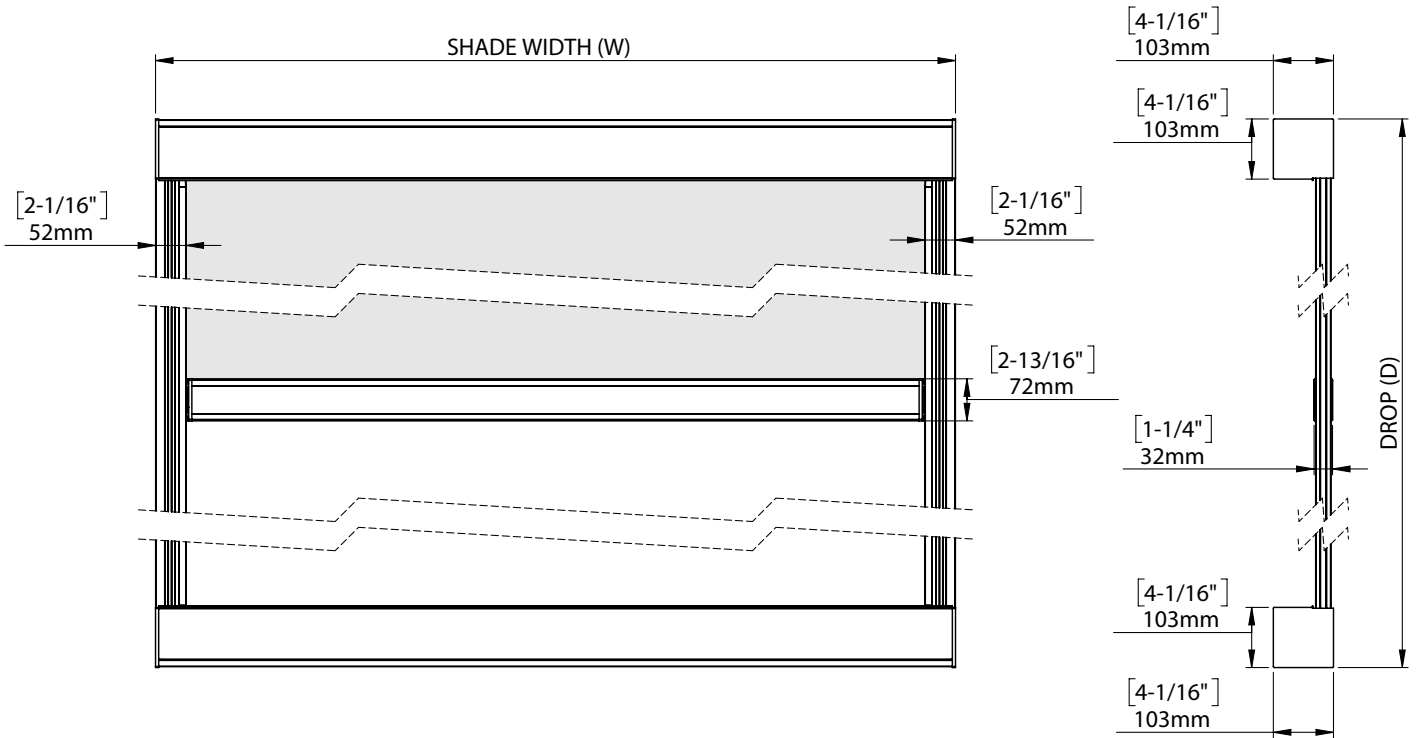
PARAMETERS: FABRIC: 420GSM (12.4OZ/YD²), WEIGHT/HEM BAR: F56 HD



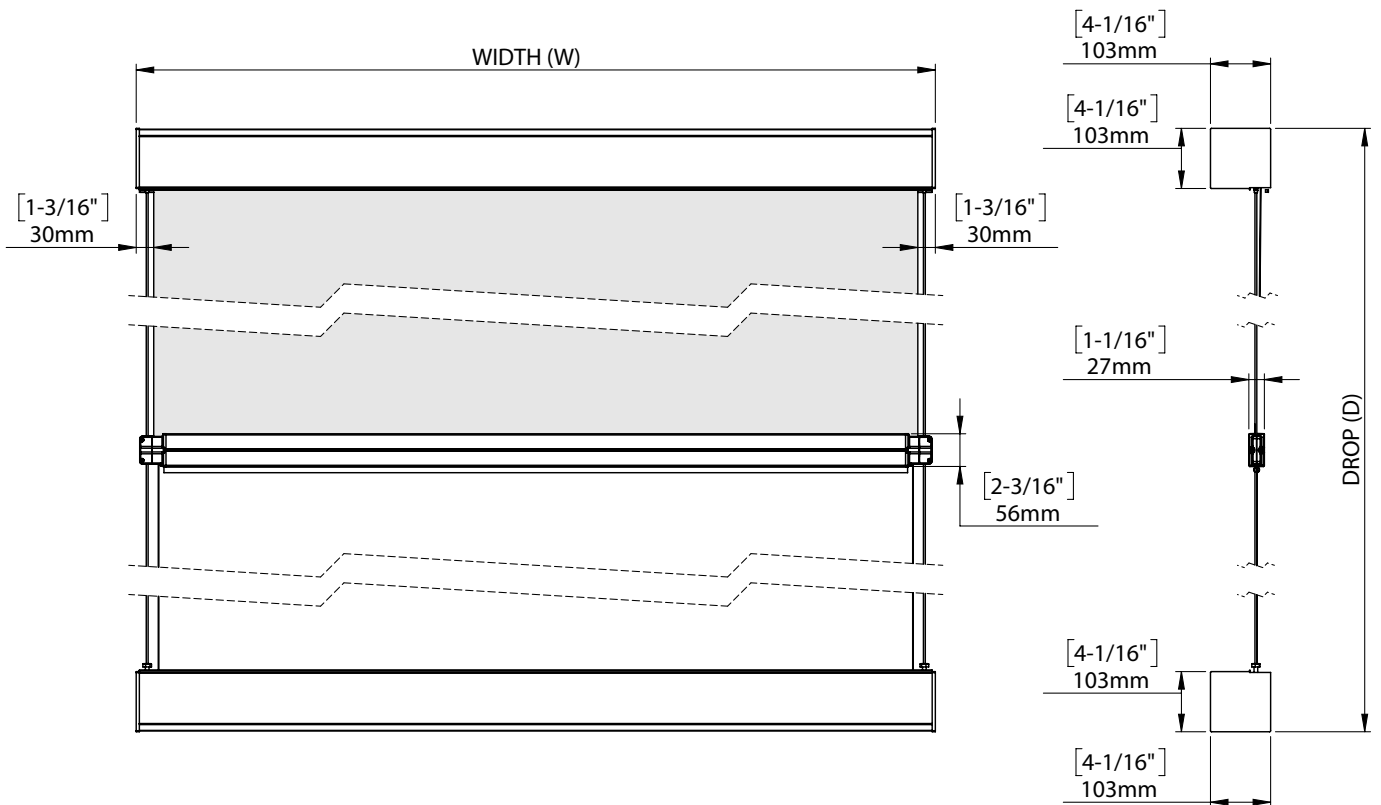
LEGEND	DESCRIPTION
	Short Booster
	EXTRA Heavy Booster
	Optimal fabric Performance
	Pre-Turns Required
	Cannot be achieved - outside product specifications

ARCHITECTURAL VIEWS

ZIPSCREEN SKYLIGHT | BOX 100

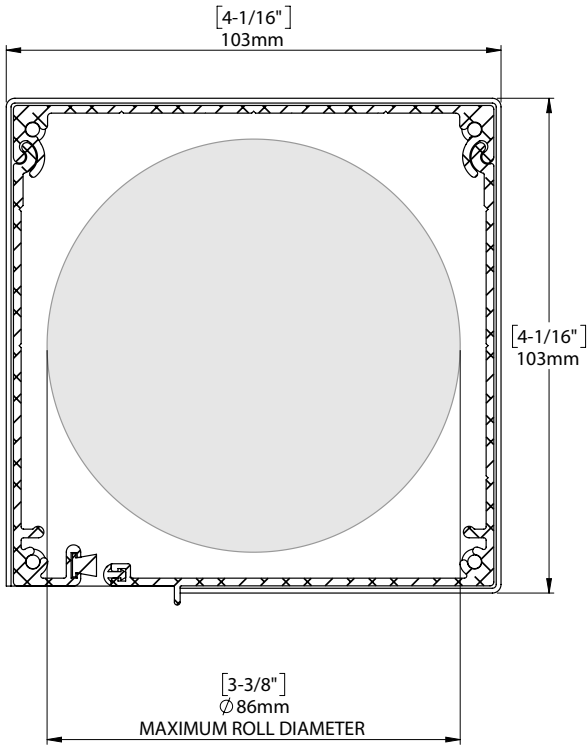


WIREGUIDE SKYLIGHT | BOX 100



MAXIMUM ROLL DIAMETERS

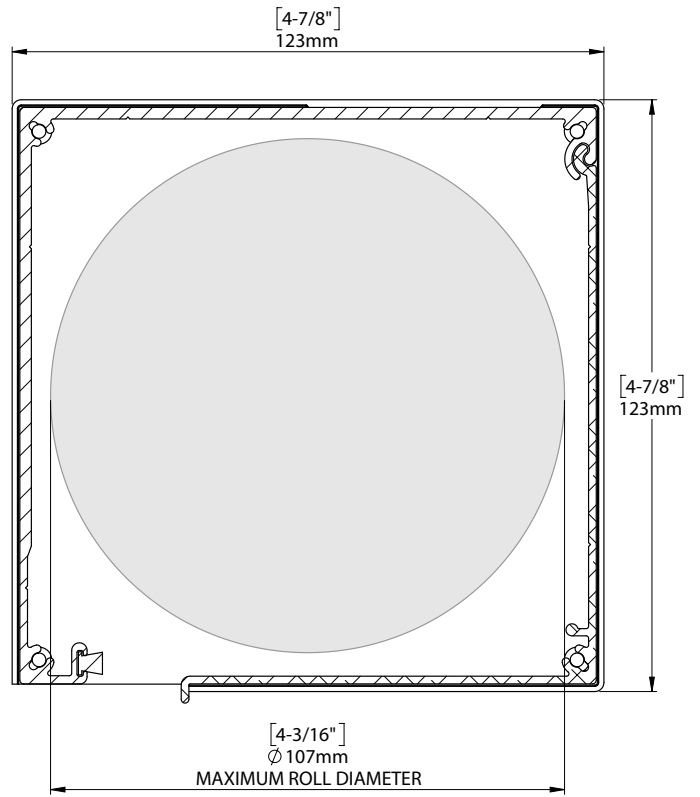
BOX 100



MAXIMUM DROP

Zipscreen = 2.0m [6'-6"] [60mm Tube]
 Wire Guide = 3.0m [9'-10"] [60mm Tube]

BOX 120



MAXIMUM DROP

Zipscreen / Wire Guide = 3.0m [9'-10"] [80mm tube]

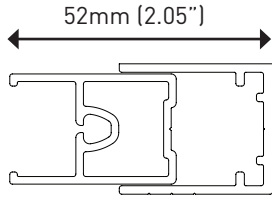
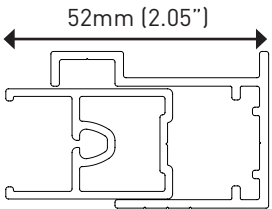
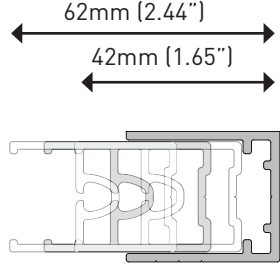
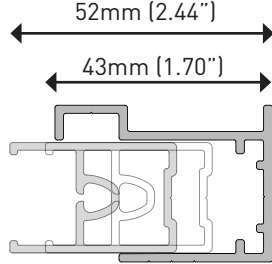
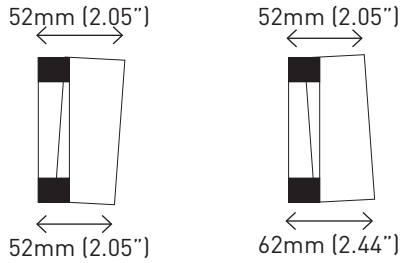
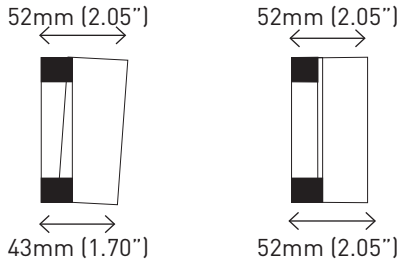
ZIPSCREEN MEASURE & SPECIFY

In order to assist with providing seamless communication between the Specifier, Assembler and Installer, Rollease Acmeda are providing some guidelines to assist with measuring and specifying the Zipscreen system in order to:

- Identify key information for Assembler and Installer
- Improve efficiency
- Limit the number of re-calls / adjustment required on site after installation

The suggested 'Actual Shade Sizes' are based on:

- Minimum clearances to assist installers (some installers may request greater clearances for some application, e.g. installing onto brick)
- Having the Inner Rail installed at 52mm (2.05") at the fabric end when installed

U MOUNTING RAIL & INNER RAIL	WALL MOUNT U MOUNTING RAIL & INNER RAIL
	
	
<p>Consequently 20mm (0.79") adjustment is provided by Side Guides on both sides (catering for out-of-square walls)</p>	<p>9mm (0.35") adjustment (+ 0", - 10mm (0.39")) from 52mm (2.05") is provided by Side Guides on both sides (catering for out-of-square walls)</p>
	

When measuring space and using Wall mount U Mounting Rail, ensure there is enough distance from the wall edge for a fastener. This is important when installing into concrete, solid or hollow bricks, masonry or natural stones. It is advised to allow 70mm (2.75") from edge to edge of surface.

Compromise between minimizing packing for installer (plus, overall appearance for end user) and simplifying process/communication for specifier.

Recommended 'Actual Shade Widths' are determined based on 10mm (0.39") difference between Top, Center and Bottom values.

To simplify the specifier's task 'Actual Shade Widths' could be based on the smallest size – however more packing will be required at installation.

To minimize the packing required, further analysis into where the walls are out-of-square could be undertaken (and potentially adjusting the recommended deductions / installing at '52mm (2.05")' at the top), however very clear communication between specifier, Assembler and Installer is required.