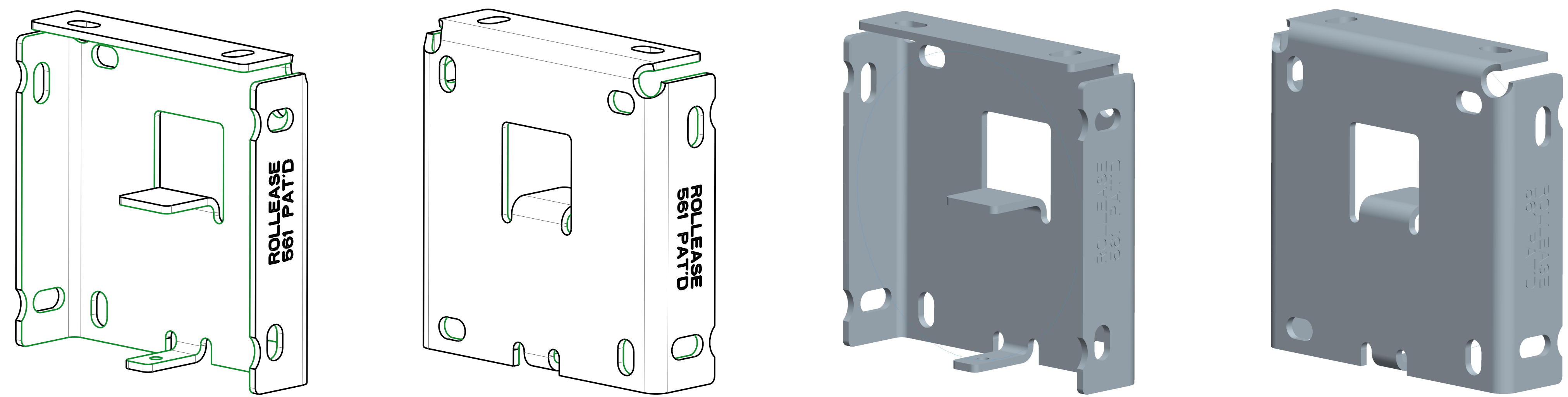
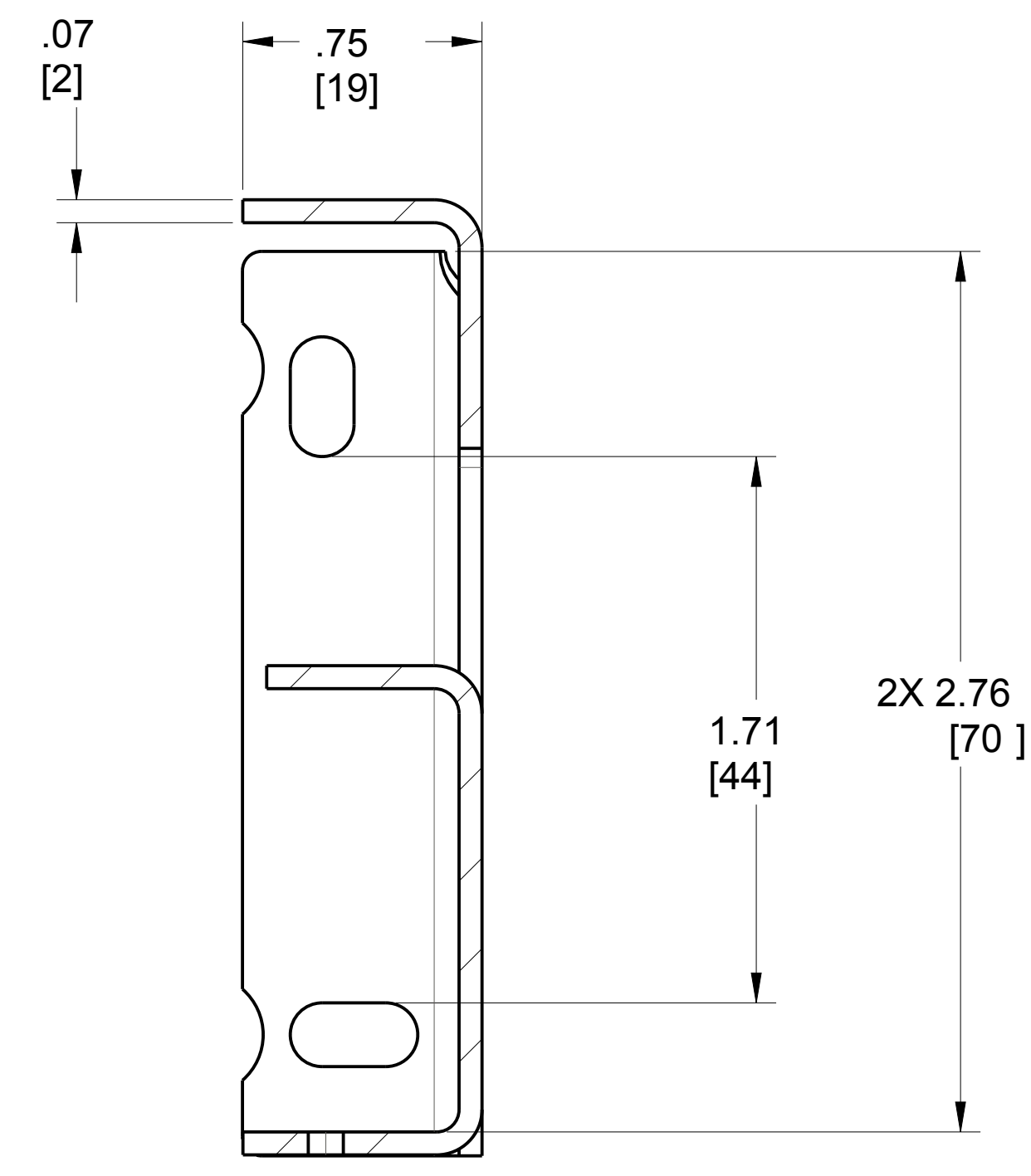
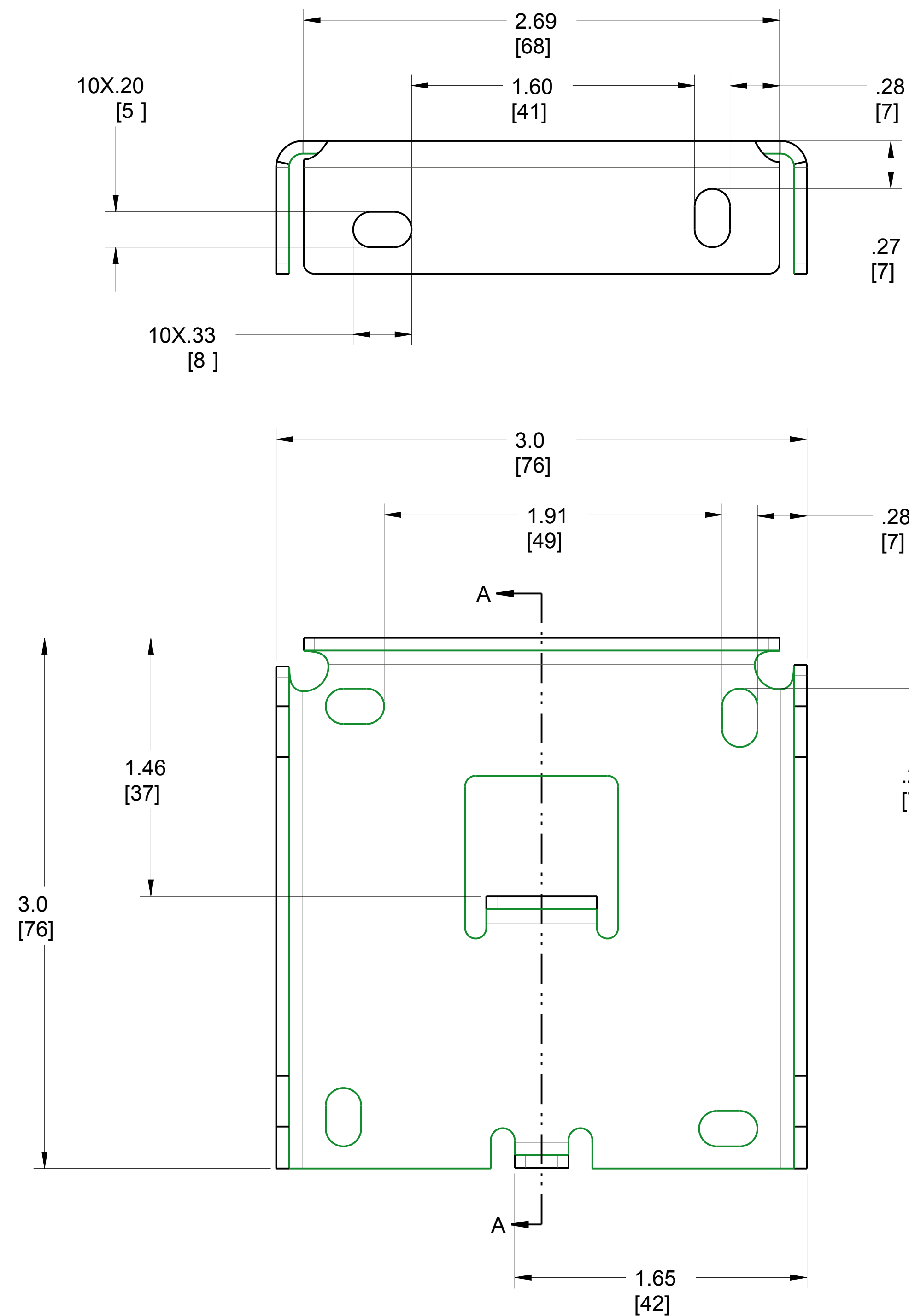


REVISION RECORD				
SYM	DESCRIPTION	BY	DATE	CHK
J	CUSTOMER INSPECTION DRAWING	RJB	12JUL11	



SR NO	SBT ITEM NO	CLUTCHES	MAX ROLL DIA	ROLLEASE TUBES
1	RB561RTNXX	R16C53XX	DIA 2.80 INCH OR DIA 71 MM	RTEA4TXX

<small>THIS INFORMATION IS CONFIDENTIAL AND PROPRIETARY TO ROLLEASE, INC. THE POSSESSOR AGREES TO MAINTAIN THIS INFORMATION AS CONFIDENTIAL, NOT REPRODUCE OR RELEASE IN WHOLE OR IN PART TO ANY THIRD PARTY.</small>	INCHES		RollEase Window Covering Systems	
	TOLERANCES			
	X.XX = ± 0.015	<small>DESIGNED BY</small> RJB <small>TITLE</small> RB561RTNXX <small>3 IN FASCIA BRACKET</small>	<small>DATE</small> 12JUL11 <small>SCALE</small> D 2:1 <small>W026P008</small>	<small>SOLD TO</small> J.7 <small>REV</small> J
	X.XXX = ± 0.005			
ANG = ± 1°				