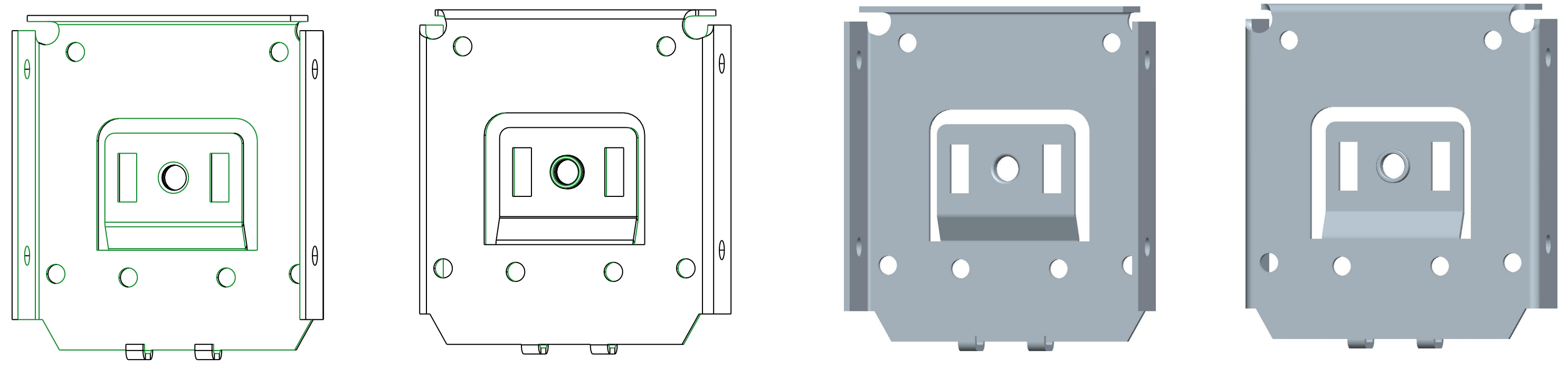
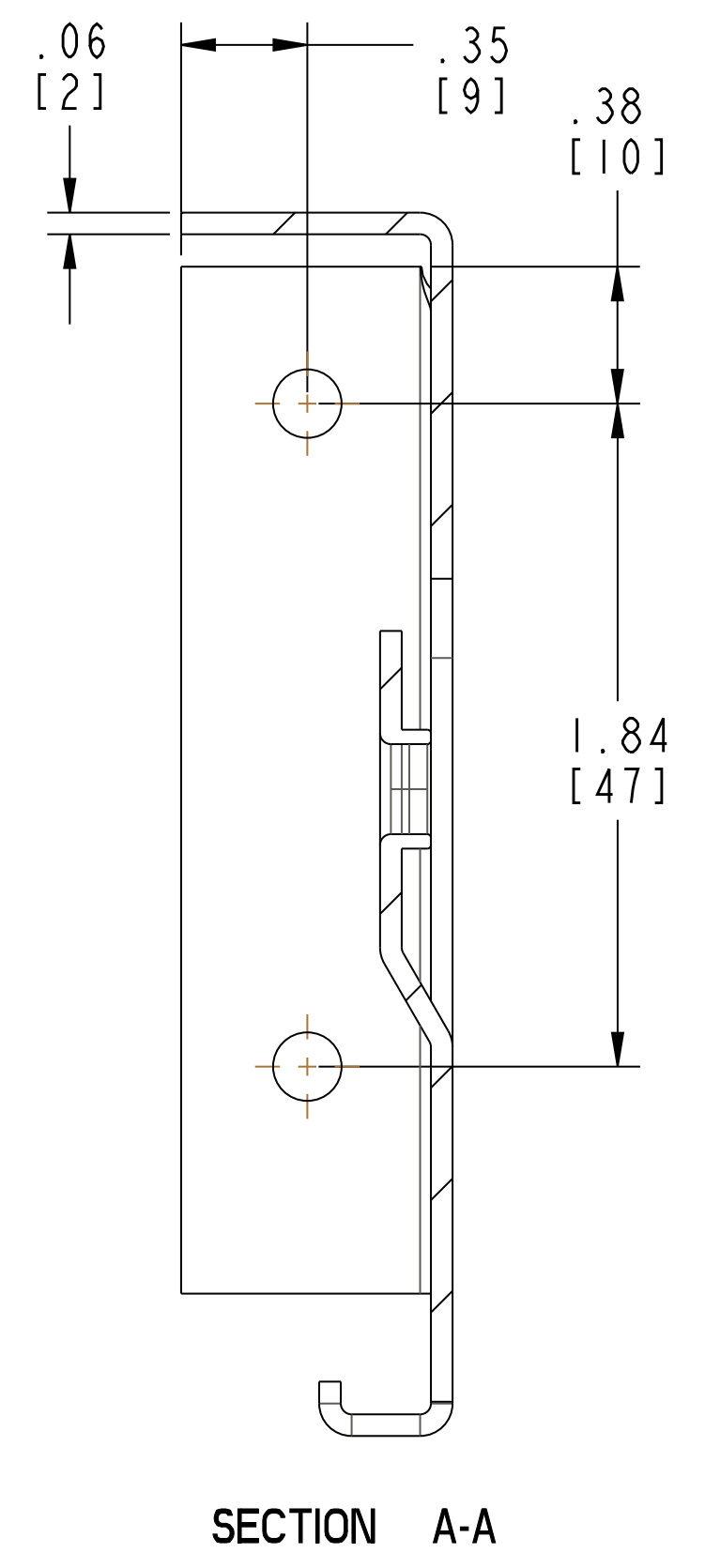
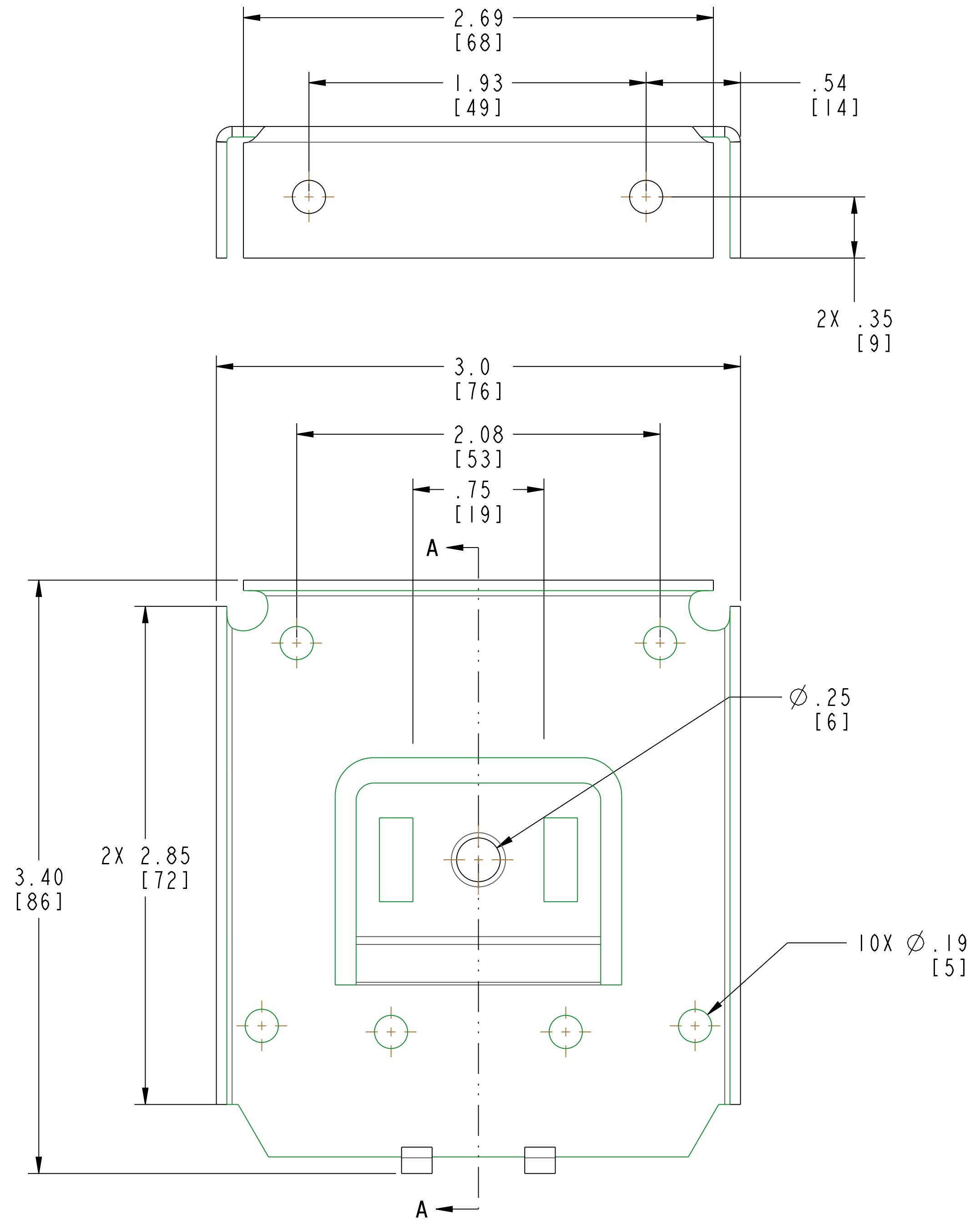


REVISION RECORD				
SYM	DESCRIPTION	BY	DATE	CHK
C	CUSTOMER INSPECTION DRAWING	JSG	20 JAN 12	



SR NO	SBT ITEM NO	ROLLEASE CLUTCHES	ROLLEASE CHAIN DIVERTER	MAX ROLL DIA	ROLLEASE TUBES
1	SLFBKT3XX	SL10HXX SL15HXX SL20H53XX RGALHXX	SLCDXX	2.75 INCH OR 70 MM	RTEA3TXX RTEA4TXX

THIS INFORMATION IS CONFIDENTIAL AND PROPRIETARY TO ROLLEASE, INC. THE PROSESSOR AGREES TO MAINTAIN THIS INFORMATION AS CONFIDENTIAL, NOT REPRODUCING OR REVEALING IT IN WHOLE OR IN PART TO ANY THIRD PARTY.	INCHES [MM]	RollEase Window Covering Systems		
	TOLERANCES	USED ON	SKYLINE	MATL
	X.XX : ± 0.015	DRWN BY	TITLE	SEE NOTES
	X.XXX : ± 0.005	VRP	SLFBKT3XX	SOLID
ANG : ± 1°	DATE	BRACKET, FASCIA, SKYLINE 3 INCH	C.7	
SCALE	08 JUL 11	2:1	REV	
ENGINEERING DRAWING NUMBER	D	W098P001	C	