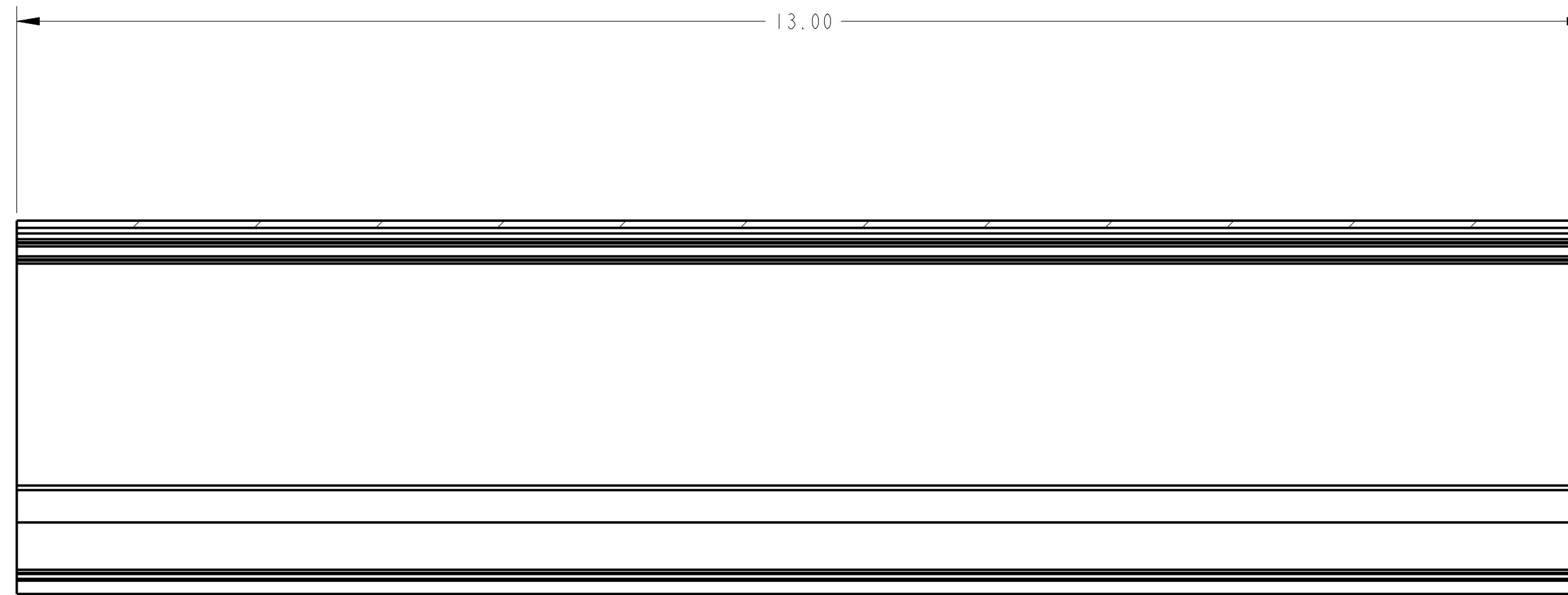
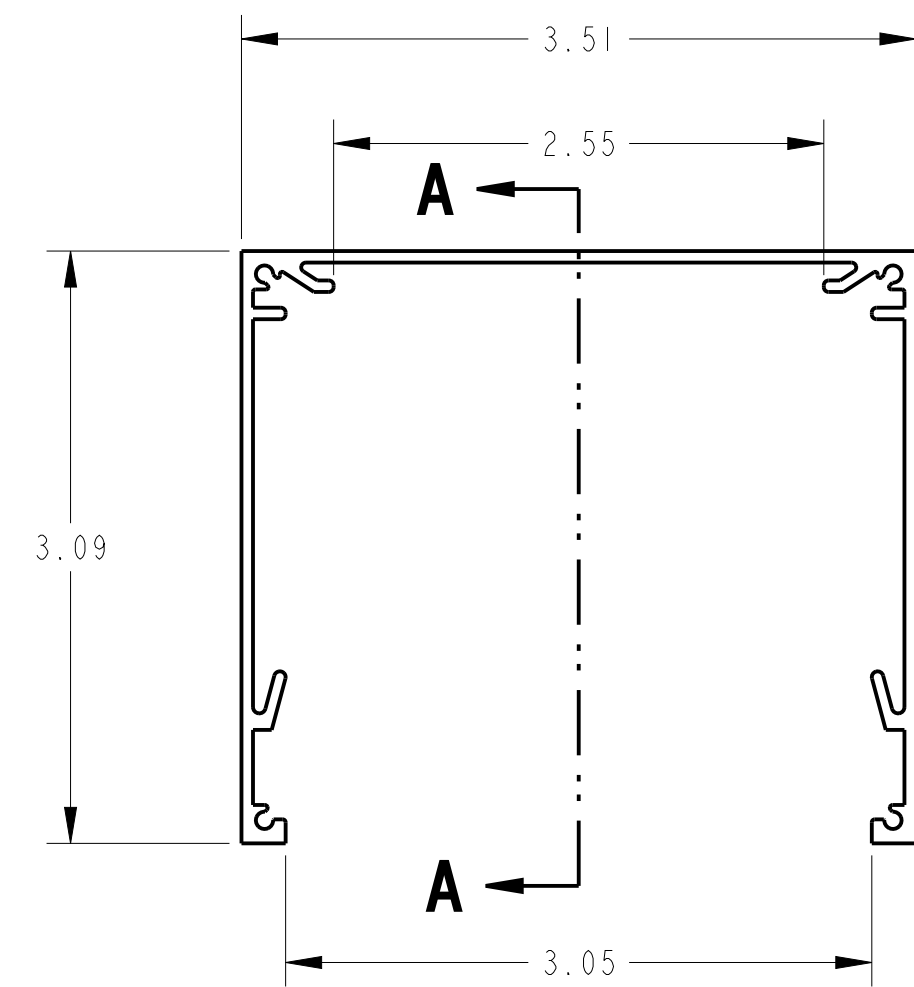
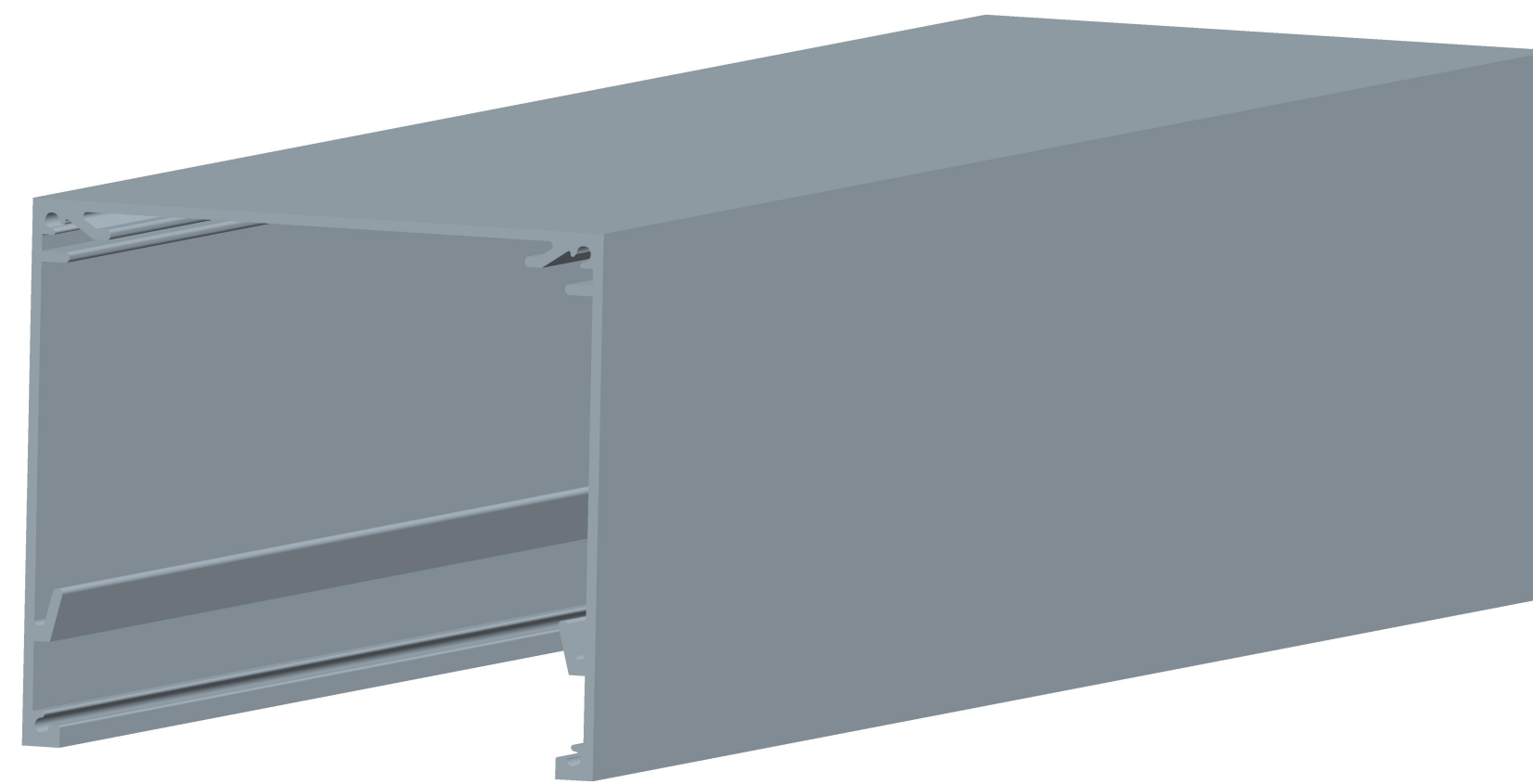
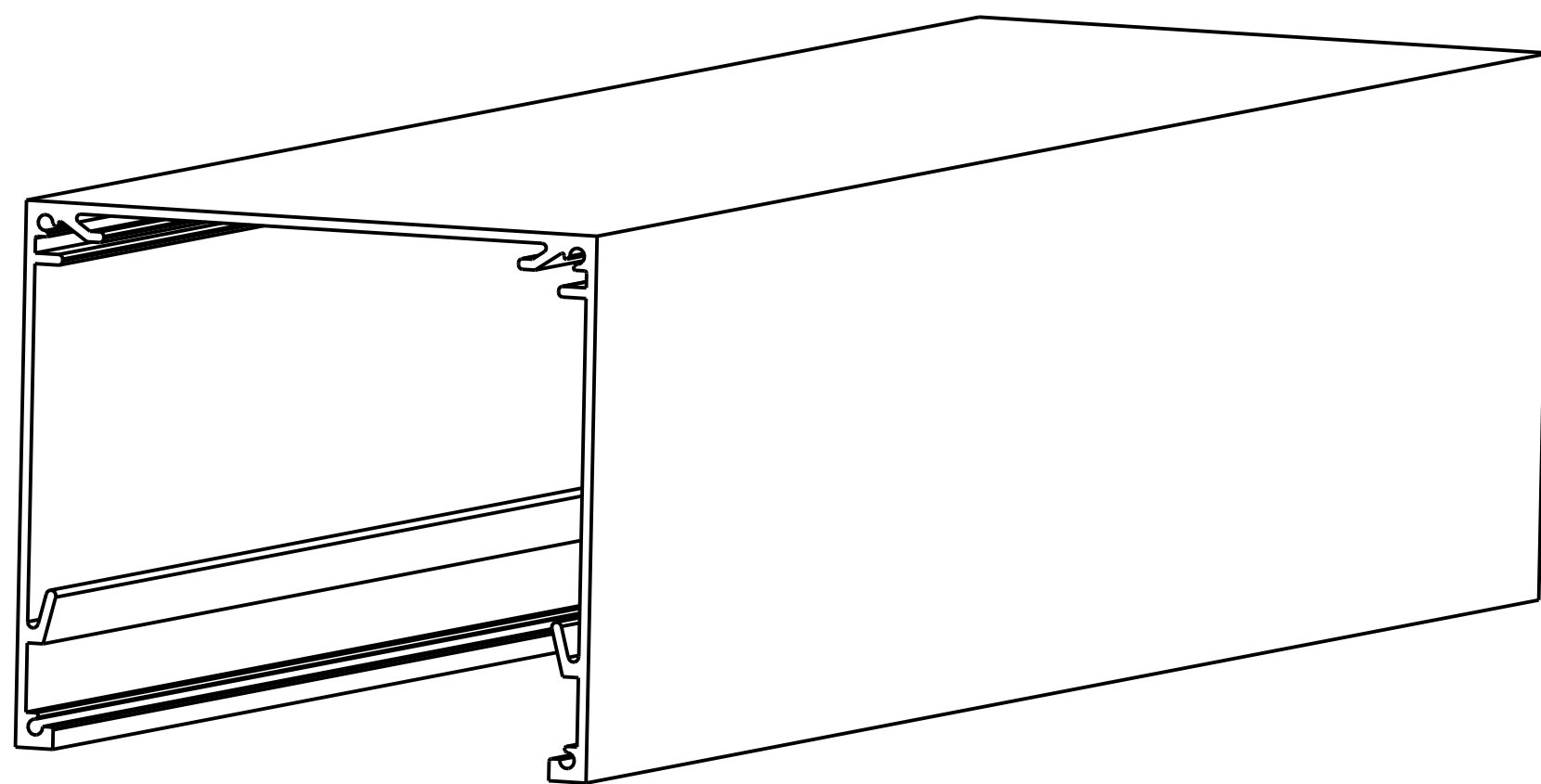


REVISION RECORD				
SYM	DESCRIPTION	BY	DATE	CHK
E	CUSTOMER INSPECTION DRAWING	JSG	8NOV12	



SECTION A-A



W098P 004 07	CLEAR ANODIZE PER AAM10 - C22 - A212	192 +.125/- .000
W098P 004 06	CLEAR ANODIZE PER AAM10 - C22 - A212	168 +.125/- .000
W098P 004 05	ELECTROSTATIC PAINT PPG UC45315 - MED BRONZE	192 +.125/- .000
W098P 004 04	ELECTROSTATIC PAINT PPG UC45315 - MED BRONZE	168 +.125/- .000
W098P 004 03	ELECTROSTATIC PAINT PPG UC50369 - COLONIAL WHITE	192 +.125/- .000
W098P 004 02	ELECTROSTATIC PAINT PPG UC50369 - COLONIAL WHITE	168 +.125/- .000
W098P 004 01	ELECTROSTATIC PAINT PPG UC76584 - WHITE	192 +.125/- .000
W098P 004 00	ELECTROSTATIC PAINT PPG UC76584 - WHITE	168 +.125/- .000
DRAWING NO	FINISH	LENGTH

SBT ITEM NUMBER RCCP3A - ANODIZED
RCCP3W - WHITE

THIS INFORMATION IS CONFIDENTIAL AND PROPRIETARY TO ROLLEAS, INC. THE PROSESSOR AGREES TO MAINTAIN THIS INFORMATION AS CONFIDENTIAL, NOT REPRODUCING OR REVEALING IT IN WHOLE OR IN PART TO ANY THIRD PARTY.	INCHES	RollEase Window Covering Systems		
	TOLERANCES	X.XX : ± 0.015 X.XXX : ± 0.005 ANG : ± 1°	USED ON CONTRACT SERIES DRAWN BY JSG DATE 8NOV12	SEE DETAIL DRG TITLE POCKET, CEILING - 3 INCH SCALE 2/1 ENGINEERING DRAWING NUMBER W117P100
		SOLID E.6 REV E		