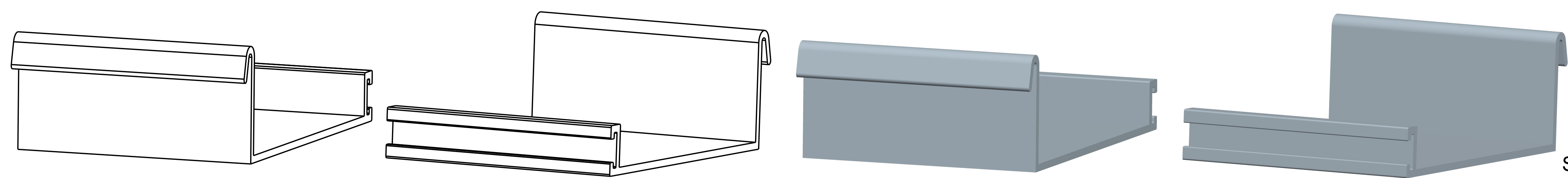
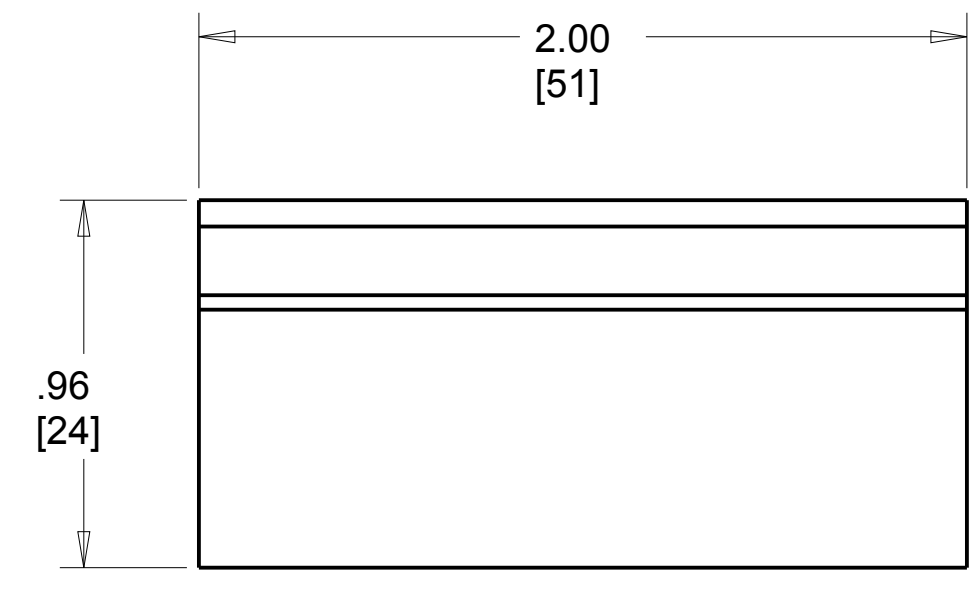
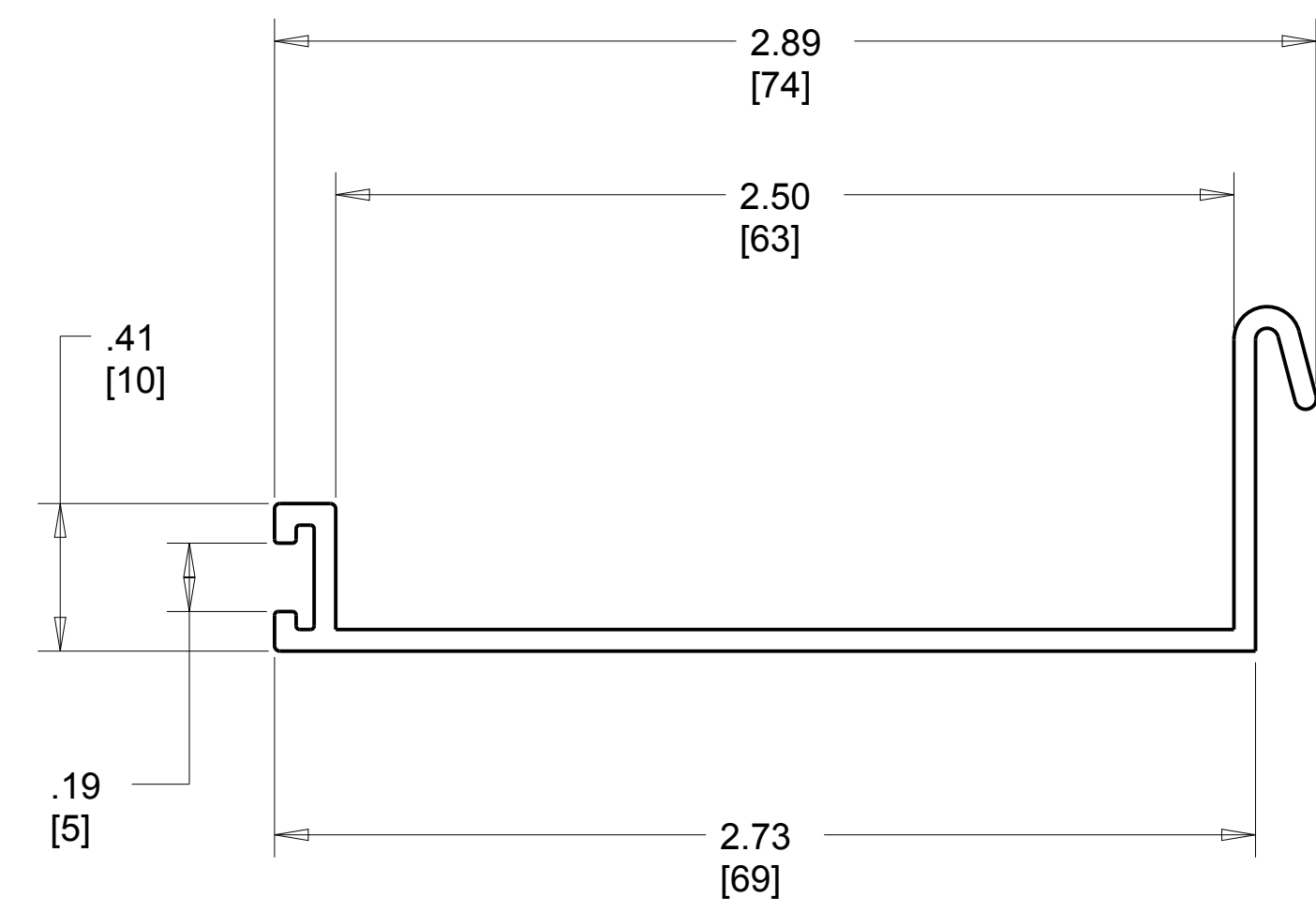


REVISION RECORD				
SYM	DESCRIPTION	BY	DATE	CHK
1	CUSTOMER INSPECTION DRG	JSG	08NOV12	



SBT ITEM NUMBER RCBC3A - ANODIZED
RCBC3W - WHITE

<small>THIS INFORMATION IS CONFIDENTIAL AND PROPRIETARY TO ROLL EASE, INC. THE POSSESSOR AGREES TO MAINTAIN THIS INFORMATION AS CONFIDENTIAL, NOT REPRODUCE OR DISSEMINATE IN WHOLE OR IN PART TO ANY THIRD PARTY.</small>	INCHES	RollEase <i>Window Covering Systems</i>		
	TOLERANCES	SEE DETAIL DRG		
	X.XX = ± 0.015 X.XXX = ± 0.005 ANG = ± 1 °	DATE	SCALE	REV
	08NOV12	D	2/1	1
	DESIGNED BY	TITLE	ENGINEERING DRAWING NUMBER	SOLD TO
	JSG	CLOSURE, BOTTOM 4"	W117P201	