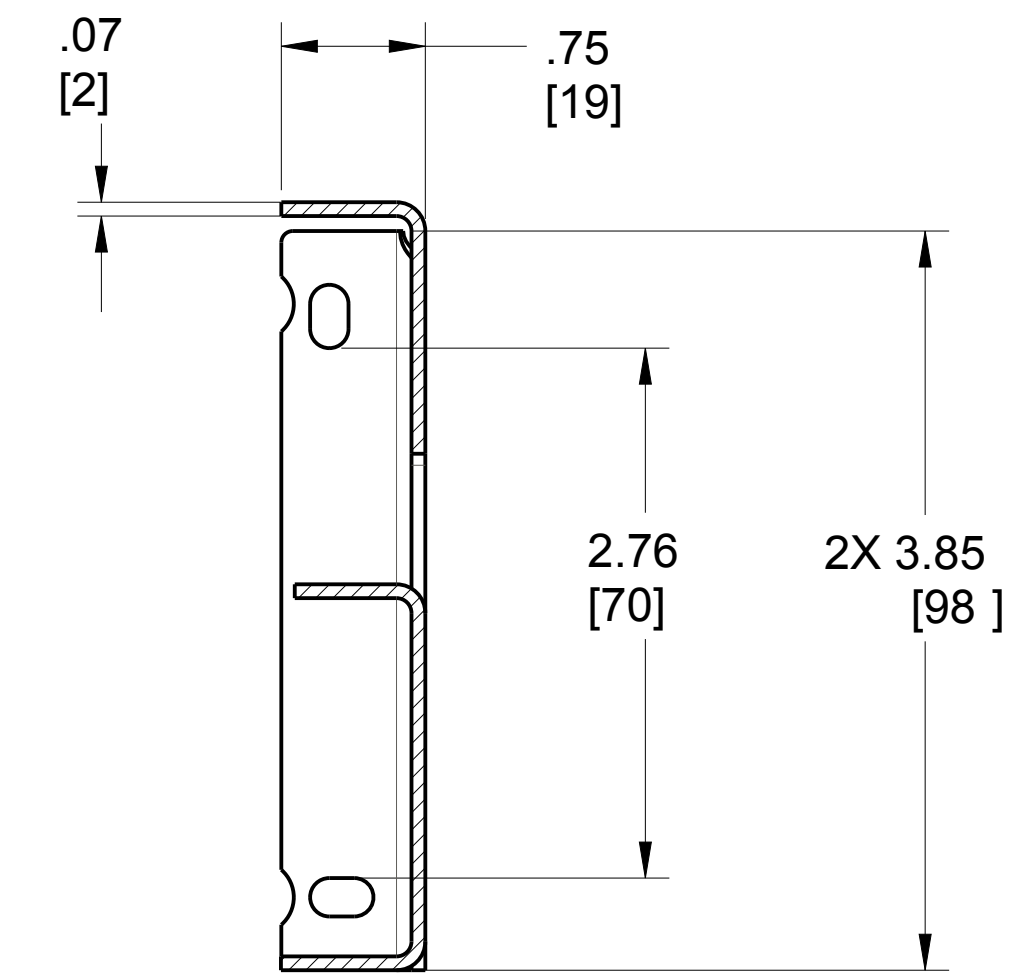
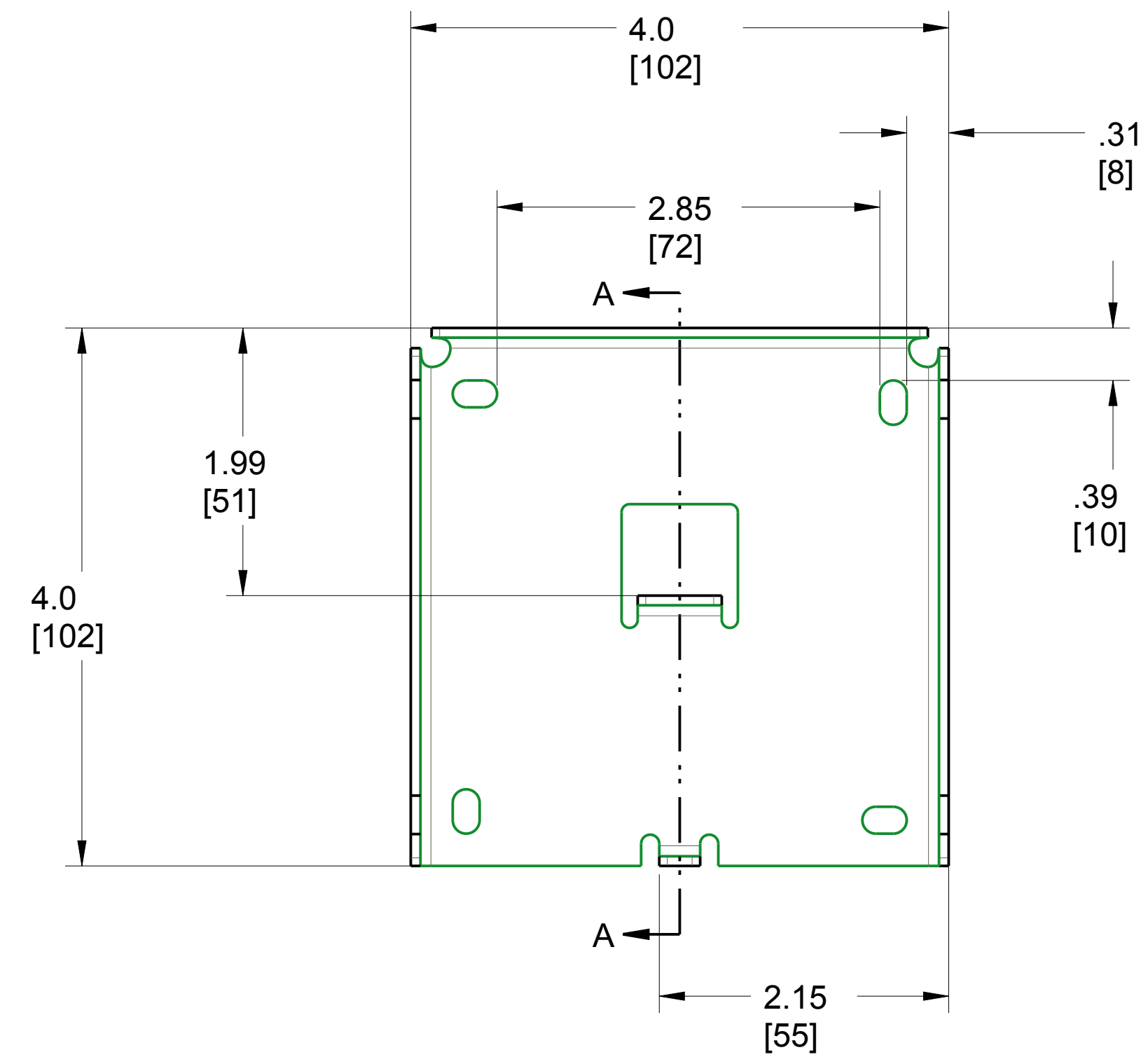
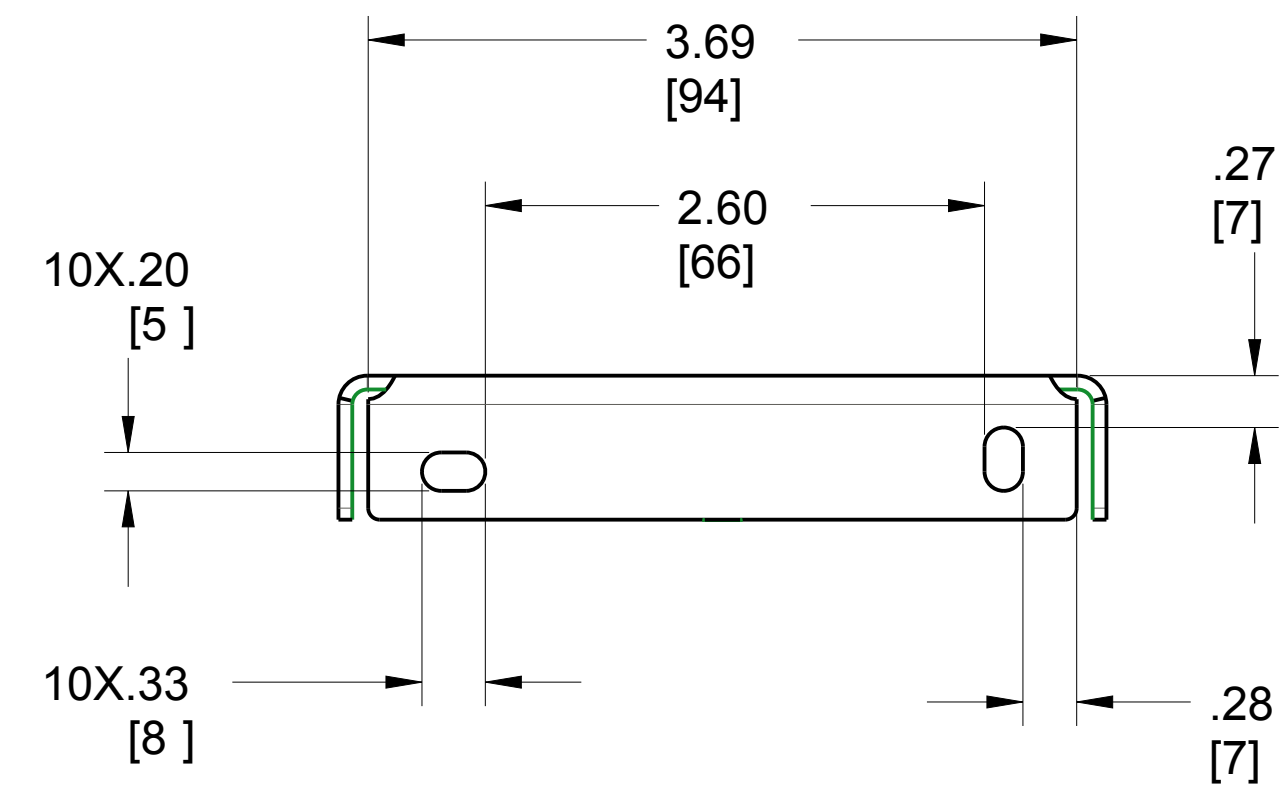
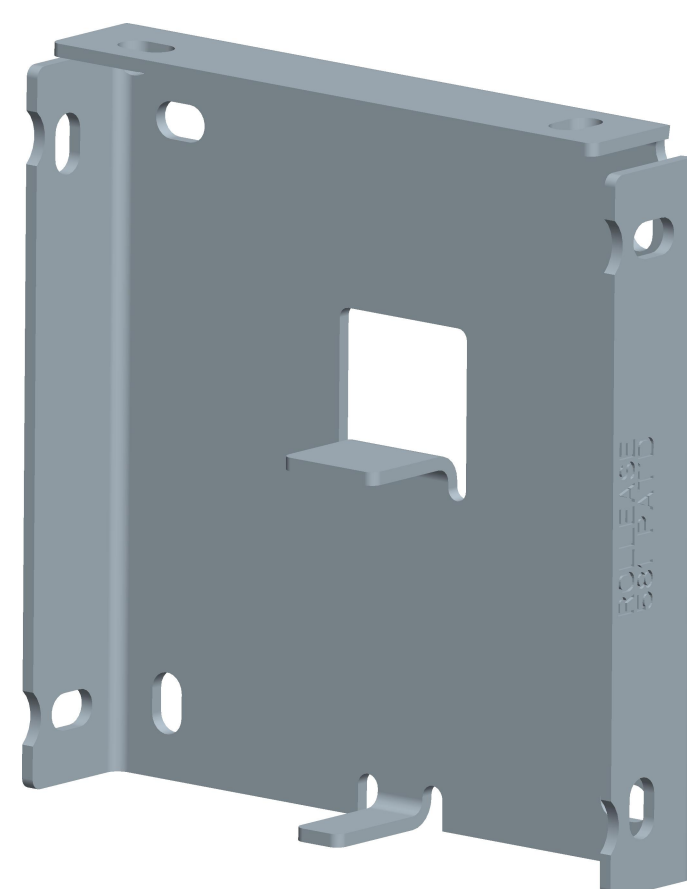
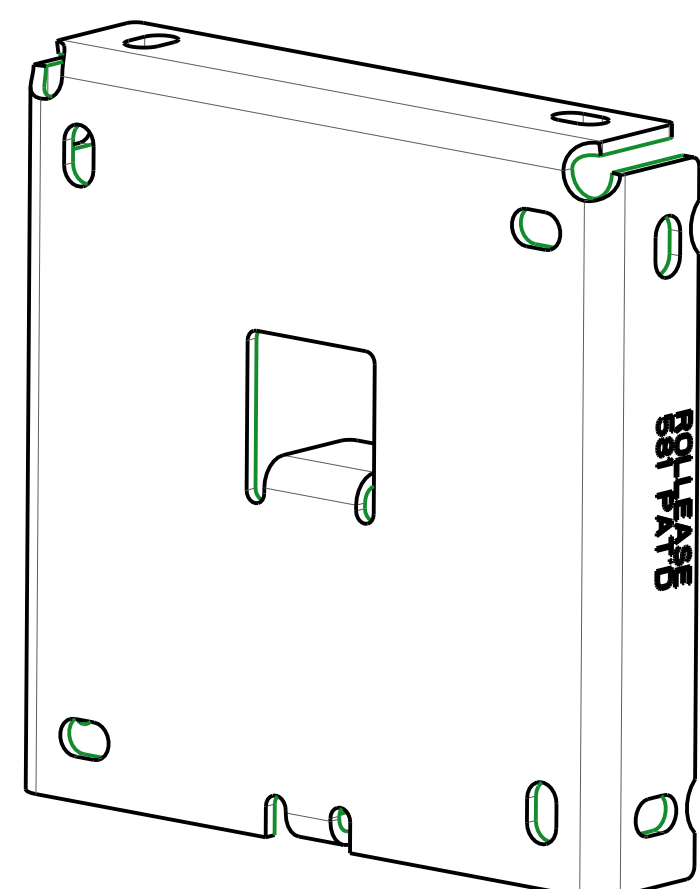
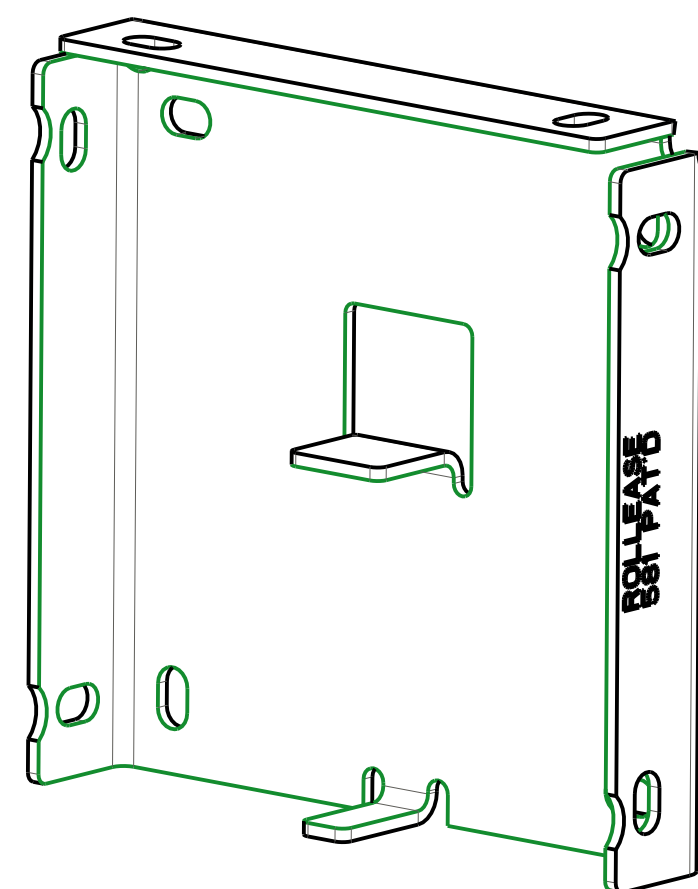


REVISION RECORD				
SYM	DESCRIPTION	BY	DATE	CHK
J	CUSTOMER INSPECTION DRAWING	VRP	12JUL11	



SECTION A-A



SR NO	SBT ITEM NO	CLUTCHES	MAX ROLL DIA	ROLLEASE TUBES
1	RB581RTNXX	R16C53XX R24C53XX	DIA 3.75INCH OR DIA 95 MM	RTEA4TXX RTEA5TXX RTEA6TXX

<small>THIS INFORMATION IS CONFIDENTIAL AND PROPRIETARY TO ROLLEASE, INC. THE POSSESSOR AGREES TO MAINTAIN THIS INFORMATION AS CONFIDENTIAL, NOT REPRODUCE OR RELEASE IN WHOLE OR IN PART TO ANY THIRD PARTY.</small>	INCHES	RollEase Window Covering Systems		
	TOLERANCES	<small>X.XX = ± 0.015</small> <small>X.XXX = ± 0.005</small> <small>ANG = ± 1°</small>	<small>DESIGNED BY</small> <small>DATE</small>	<small>ISSUED BY</small> <small>DATE</small>
	VRP	<small>TITLE</small> RB581RTNXX, BRACKET R-SERIES FASCIA, R16-R24, 4 INCH FASCIA	<small>SCALE</small> 1:1	<small>SOLD TO</small> J.11
	12JUL11	<small>DATE</small>	<small>W026P001</small>	<small>CHK</small> J