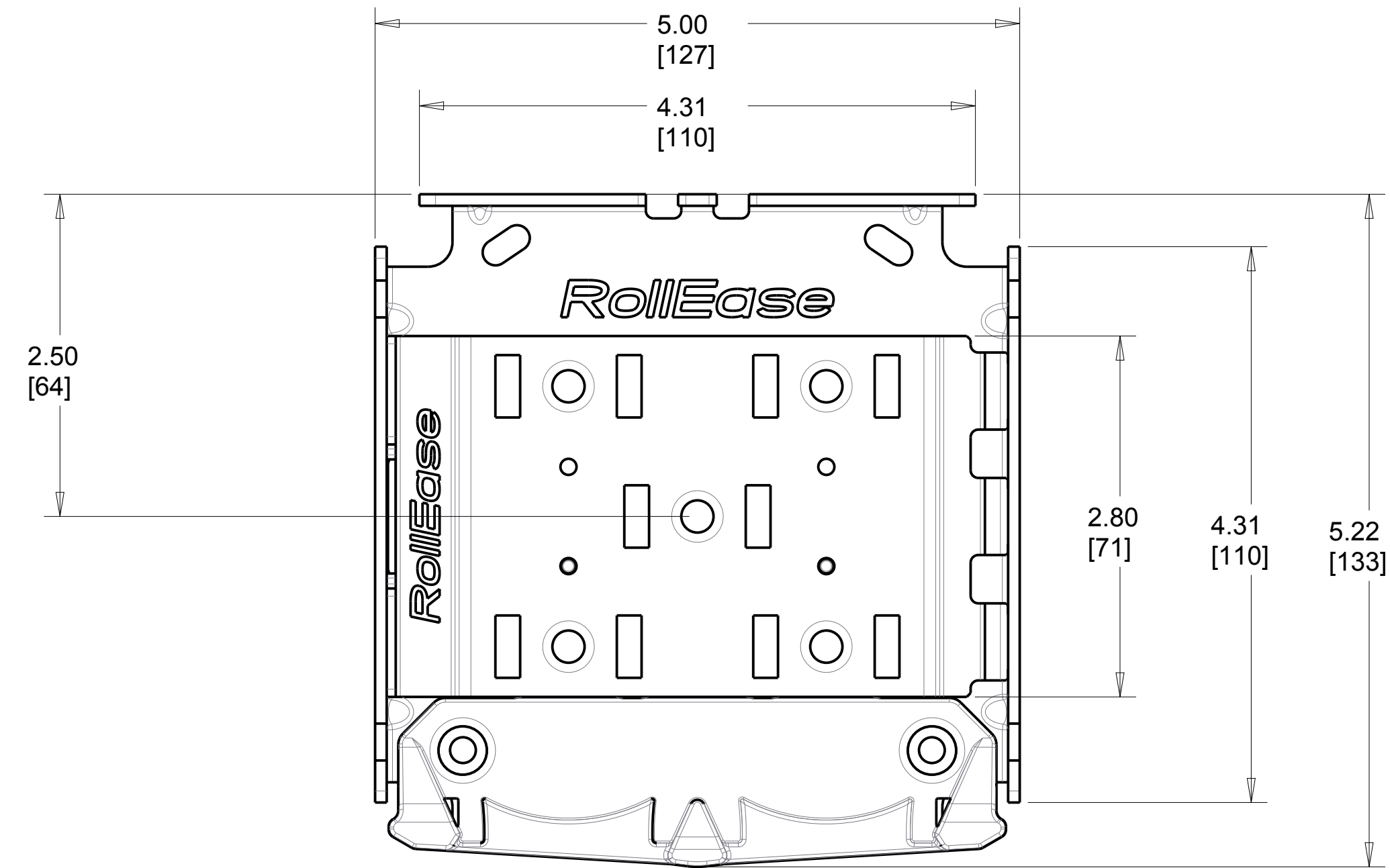
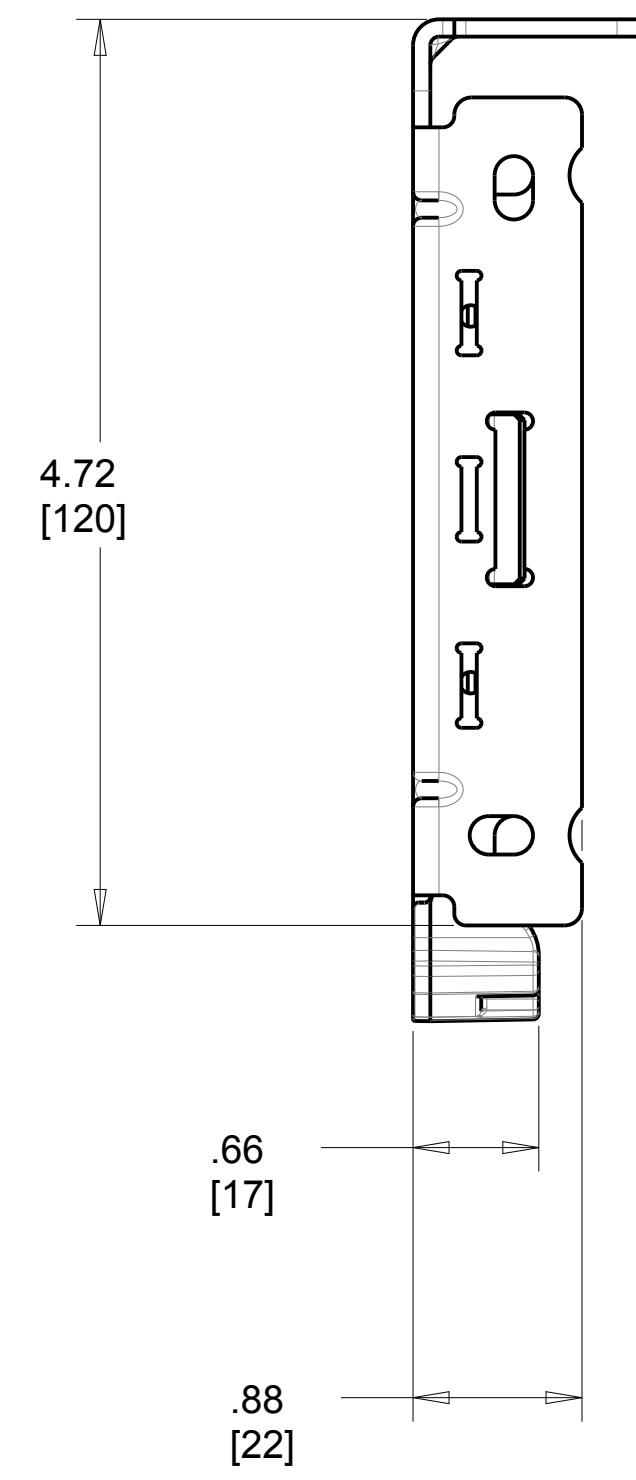


REVISION RECORD				
SYM	DESCRIPTION	BY	DATE	CHK



<small>THIS INFORMATION IS CONFIDENTIAL AND PROPRIETARY TO ROLLEASE, INC. THE POSSESSOR AGREES TO MAINTAIN THIS INFORMATION AS CONFIDENTIAL, NOT REPRODUCE OR DISSEMINATE IN WHOLE OR IN PART TO ANY THIRD PARTY.</small>	INCHES		RollEase <i>Window Covering Systems</i>		
	TOLERANCES		<small>USED ON</small> <small>6 INCH FASCIA</small>	<small>MATL.</small> <small>N/A</small>	
	<small>X.XX ± 0.015</small> <small>X.XXX ± 0.005</small> <small>ANG ± 1°</small>	<small>DRAWN BY</small> RJB	<small>TITLE</small> ASSY, BKT DUAL CL, DIVERTER	<small>SCALE</small> <small>ENGINEERING DRAWING STANDARD</small> N/A	<small>SOLD TO</small> 2.8
	<small>DATE</small> 19JUL11	<small>SIZE</small> D	<small>SCALE</small> N/A	<small>ENGINEERING DRAWING STANDARD</small> W159P 500	<small>REV</small> 1