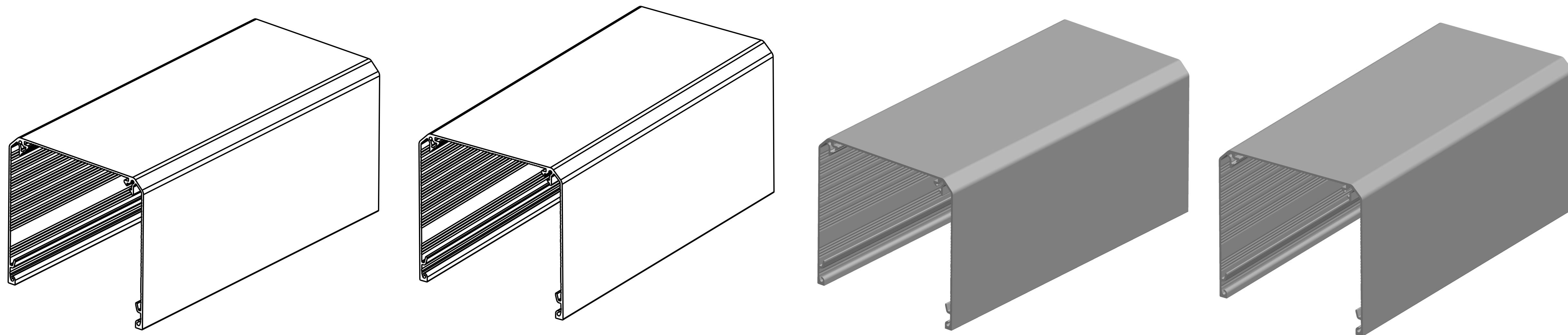
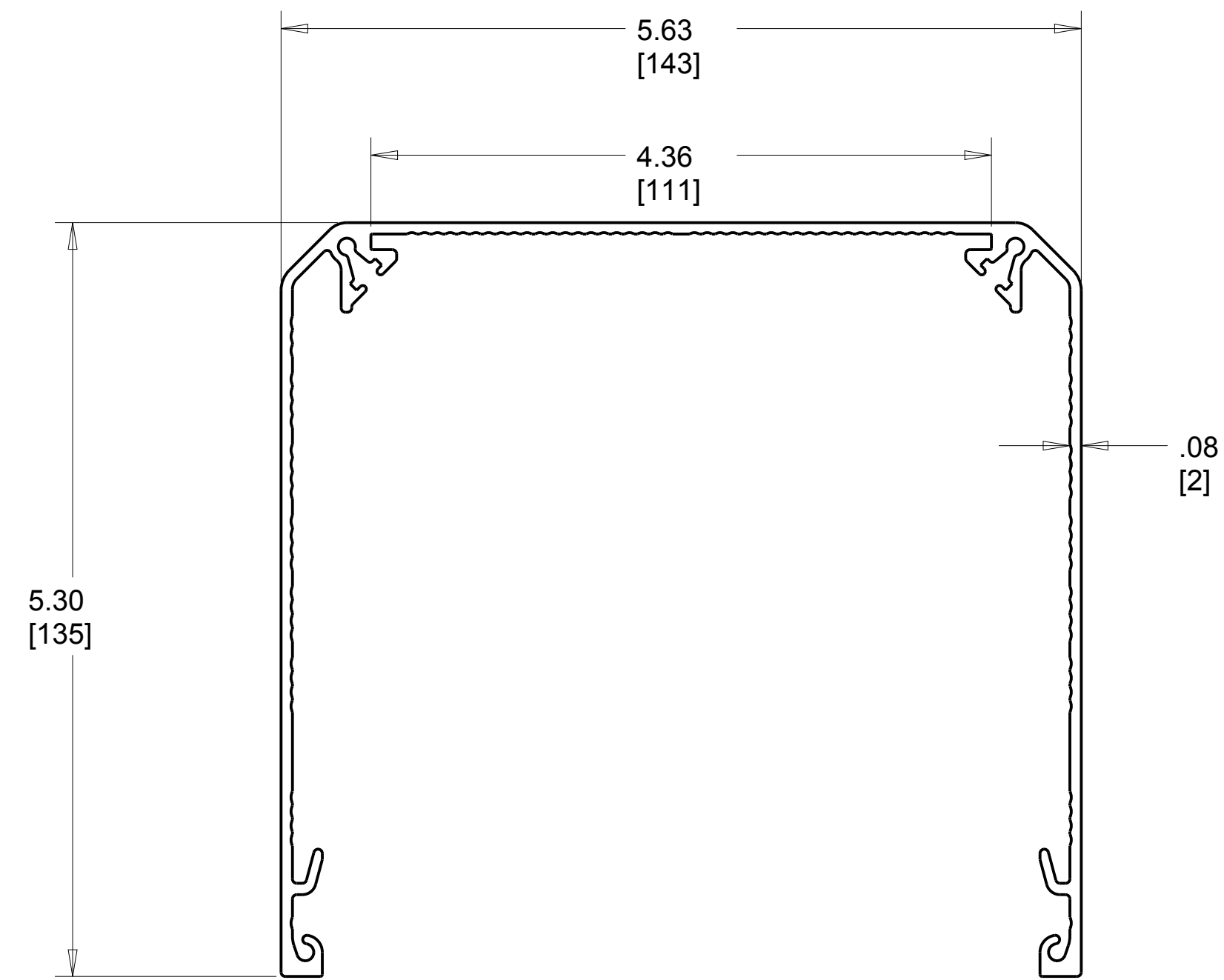


REVISION RECORD				
SYM	DESCRIPTION	BY	DATE	CHK
1	CUSTOMER INSPECTION DRAWING	MC	13MAR14	



<small>THIS INFORMATION IS CONFIDENTIAL AND PROPRIETARY TO ROLLASE, INC. THE POSSESSOR AGREES TO MAINTAIN THIS INFORMATION AS CONFIDENTIAL, NOT REPRODUCING OR DISSEMINATING IN WHOLE OR IN PART TO ANY THIRD PARTY.</small>	INCHES		RollEase	
	TOLERANCES		Window Covering Systems	
	X.XX ± 0.015	DATE	DESIGNED BY	TITLE
	X.XXX ± 0.005	18JUN14	MCC	5IN POCKET
ANG ± 1°		SCALE	ENGINEERING DRAWING NUMBER	REV
		D	W117P500	5.4
				5