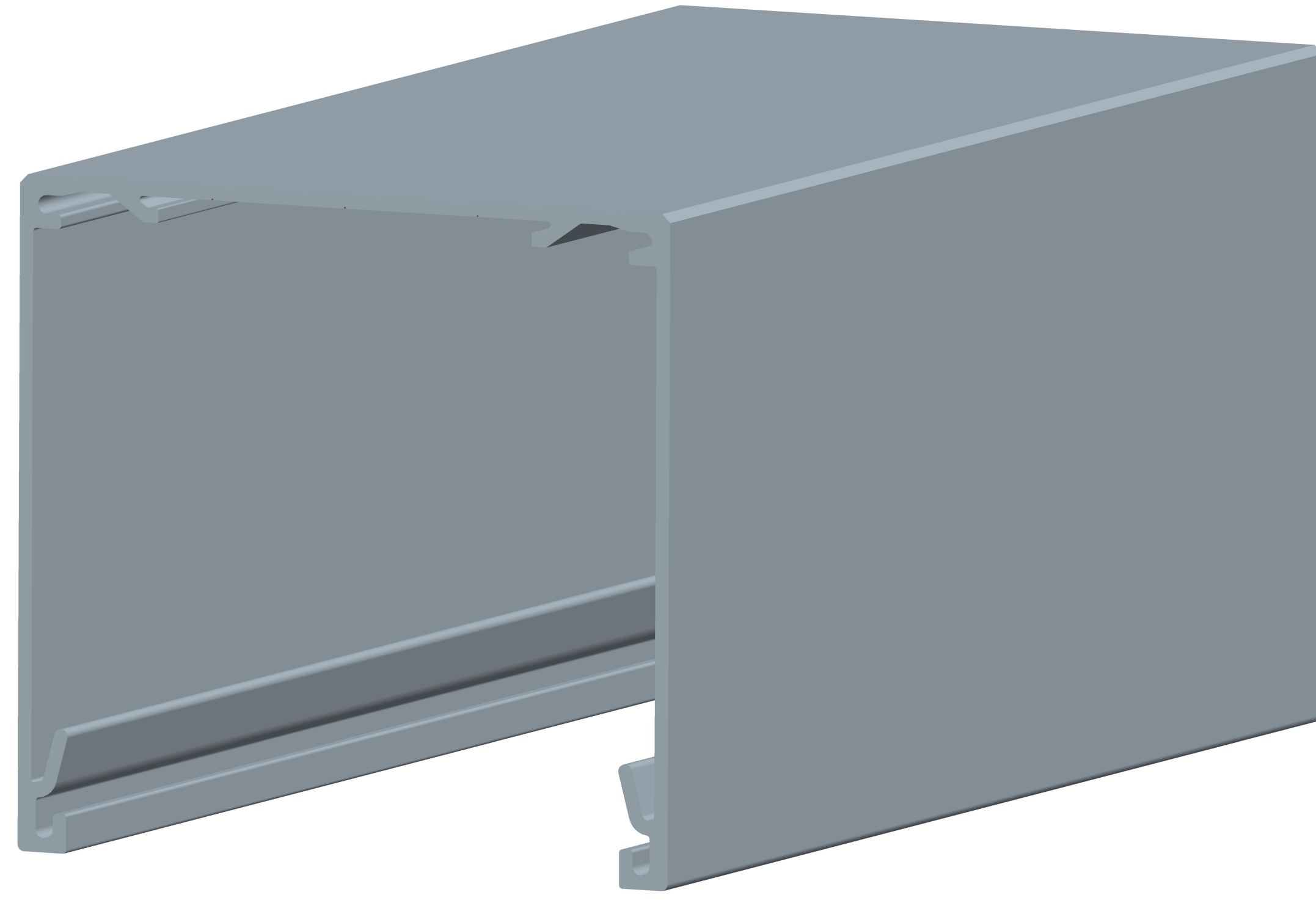
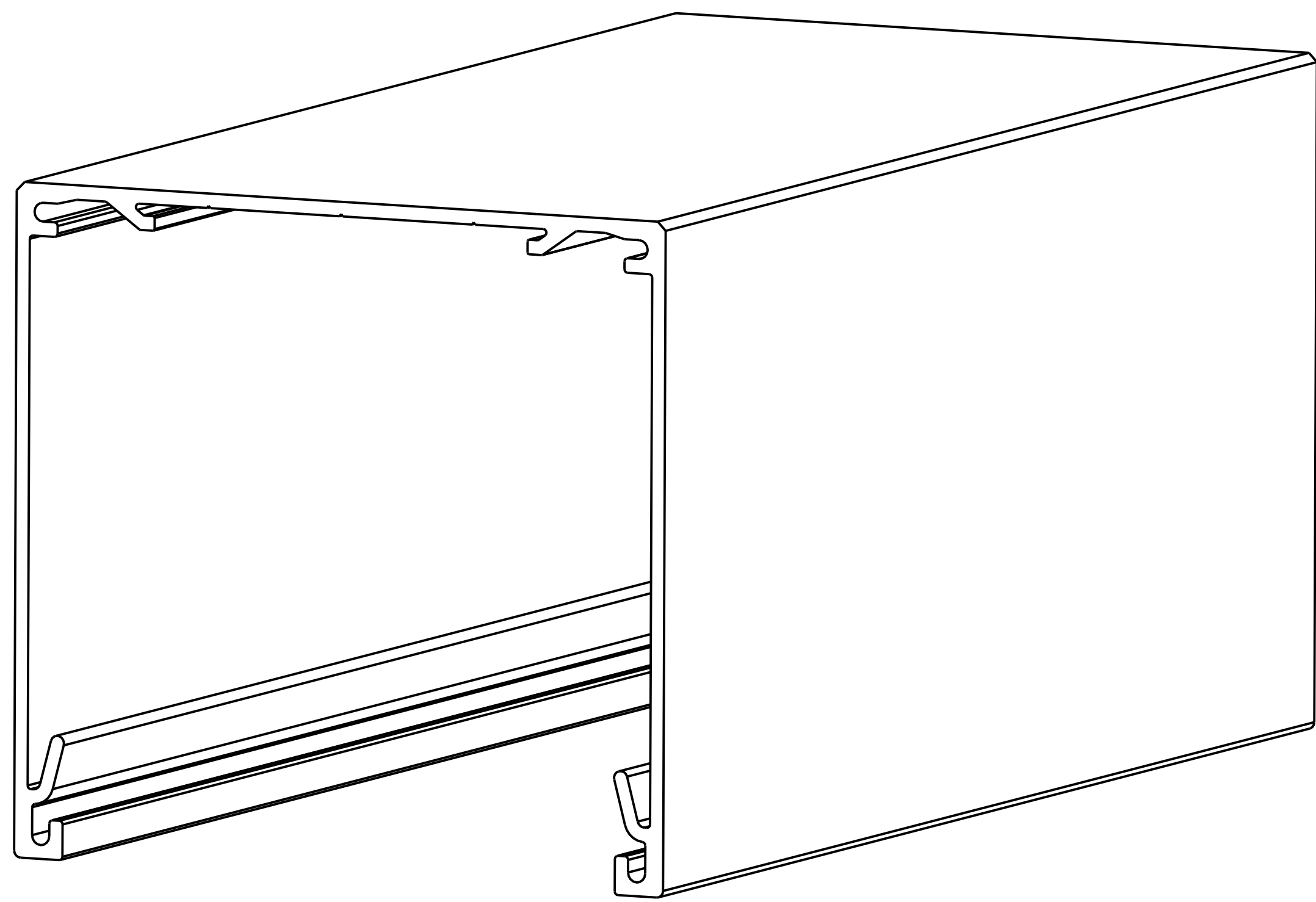
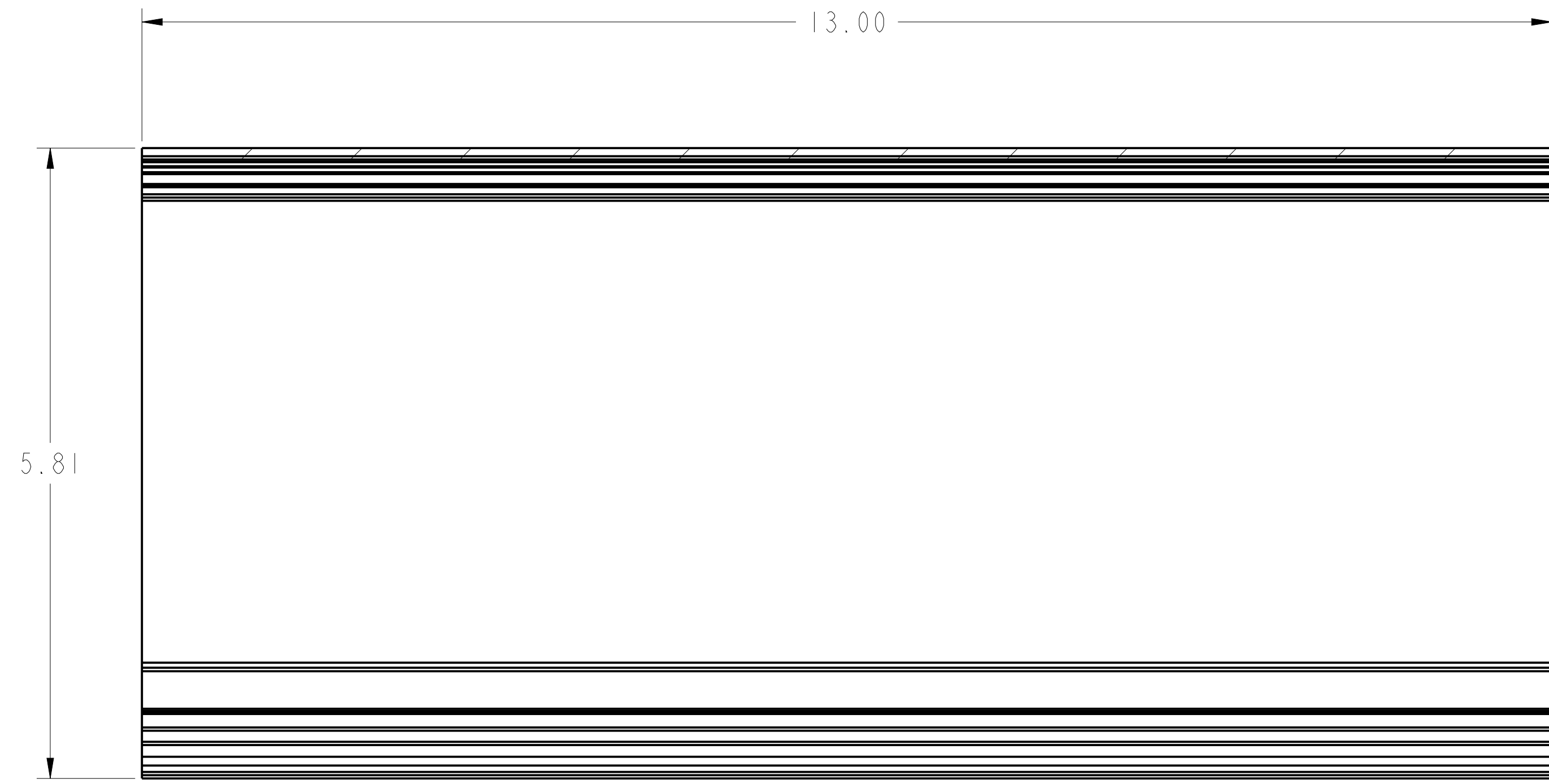
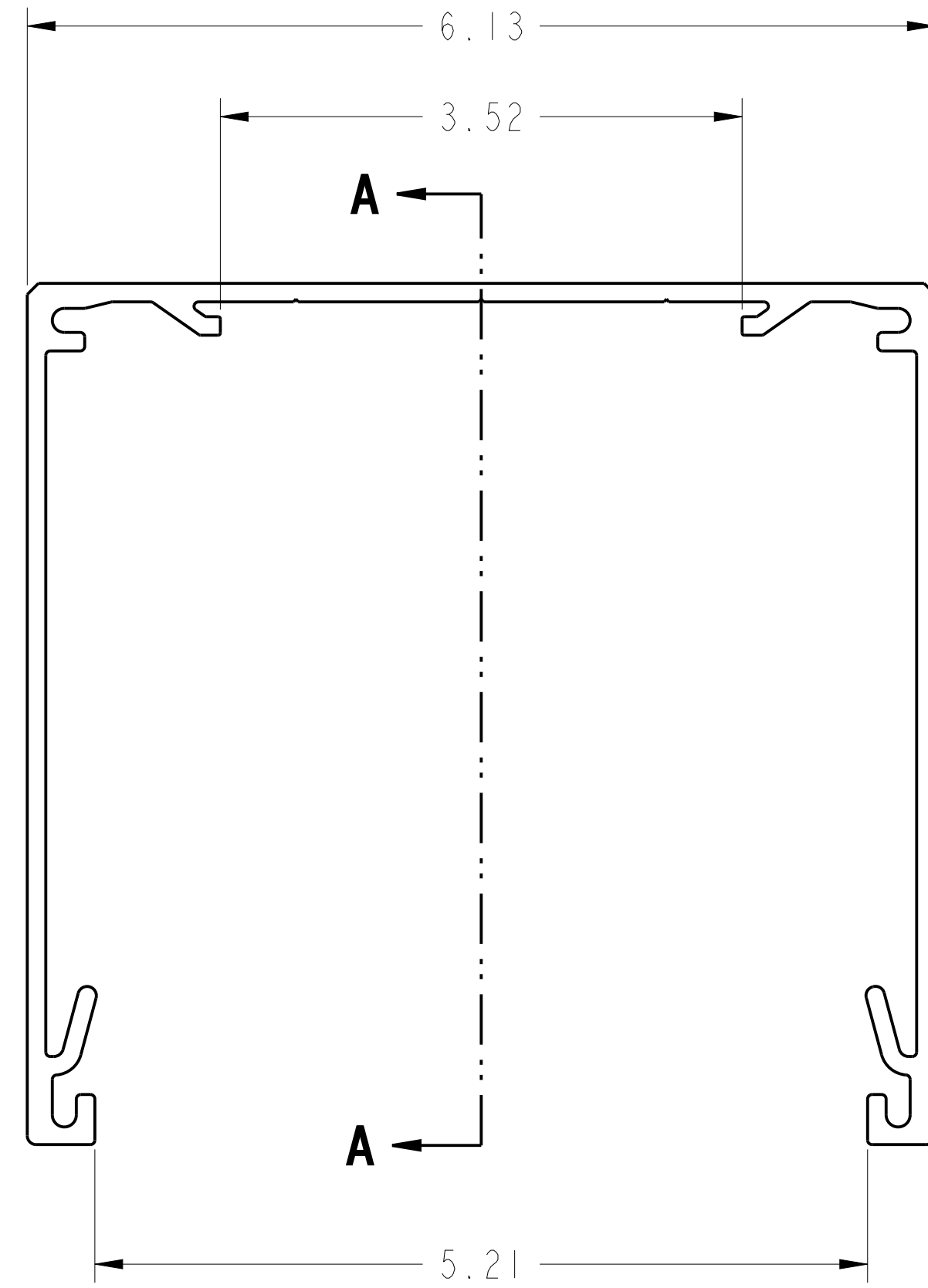


| REVISION RECORD |                         |     |         |     |
|-----------------|-------------------------|-----|---------|-----|
| SYM             | DESCRIPTION             | BY  | DATE    | CHK |
| A               | CUSTOMER INSPECTION DRG | JSG | 08NOV12 |     |



SBT ITEM NUMBER: RCCP6

|   |            |   |   |          |
|---|------------|---|---|----------|
| THIS INFORMATION IS CONFIDENTIAL AND PROPRIETARY TO ROLLEASE, INC. THE POSSESSOR AGREES TO MAINTAIN THIS INFORMATION AS CONFIDENTIAL, NOT REPRODUCING OR REVEALING IT IN WHOLE OR IN PART TO ANY THIRD PARTY. | INCHES     | <b>RollEase</b><br>Window Covering Systems      |   |          |
|   | TOLERANCES | X.XX : ± 0.015<br>X.XXX : ± 0.005<br>ANG : ± 1° | USED ON: CONTRACT SERIES / MATL: SEE DETAIL DRG<br>DRAWN BY: JSG                | SOLID    |
|   | DATE       | 08NOV12   | TITLE: POCKET, CEILING 6"<br>SCALE: 1/1<br>ENGINEERING DRAWING NUMBER: W117P625 | REV: A.6 |
|   | SIZE       | D   | SCALE   | REV      |