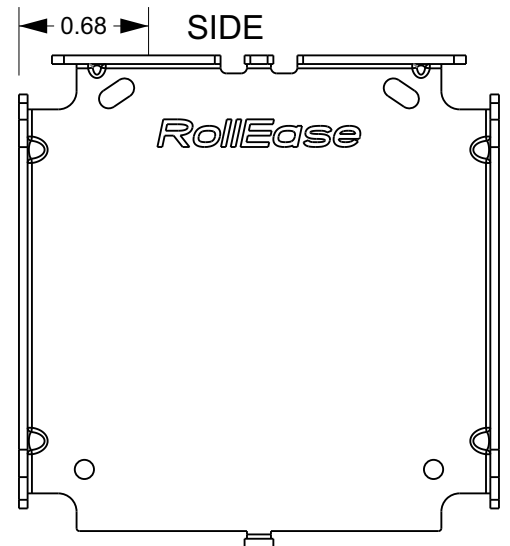
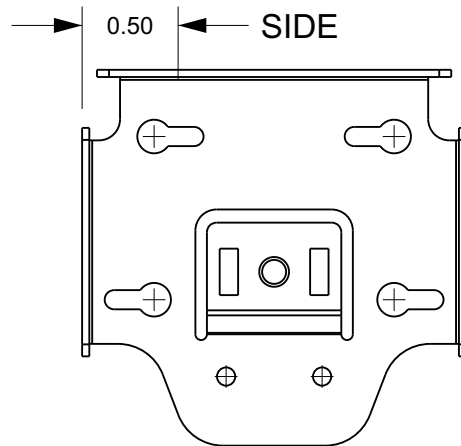
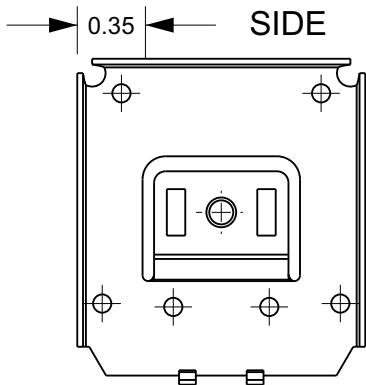
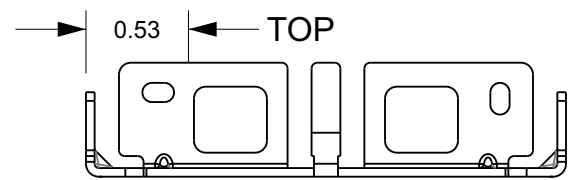
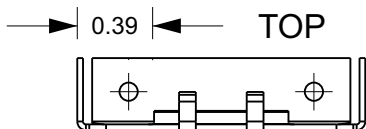
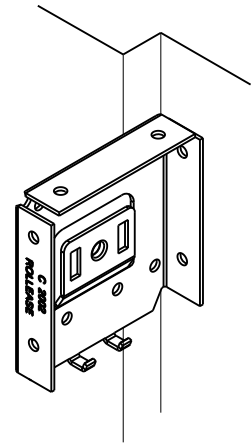


Contract Series One Fascia - IB/OB Mounts

Some mounting conditions require that the fascia be partially recessed due to limited mounting depth. This aid will give you the RolleaseAcmeda recommended minimum mounting depth for each fascia in the Contract Series One product line.



3 INCH FASCIA

4 INCH FASCIA

5 INCH FASCIA