

CONTRACT SERIES ONE

Large Single Fascia Roller Shade

Manual Clutch Control



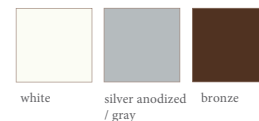
The Rollease Acmeda Contract Large Fascia system is the most comprehensive shading system available. The 5" system offers a robust large shade system with a smooth operation that can handle shades up to 14' wide and up to 250 sq.ft. before linking. Precision engineered manual chain control made of Teflon and glass-filled Nylon (Nylon 6), our patented "Velvetrol" technology offers a robust yet smooth operation with comfortable pull forces of less than 6 lbs. Properly balanced precision systems last a lifetime and reduce service calls / issues. Significantly heavier and impressive shading systems require precision engineered, heavy duty hardware, that can support multiples of its own weight. Heavy duty steel brackets and locking idler and motor side features provide maximum security for larger applications. The perfect solution for internal commercial applications; the Contract Series 1 Large System creates new opportunities to achieve larger, more impactful shades.

Features:

- Max width of 168" (based on 216" drop). Capacity to cover areas up to 250 sq.ft. before linking.
- Linking options for single and dual shade configurations.
- Accepts standard or reverse roll configurations for versatile and efficient installation.
- Optional Reverse Fascia / Top Back Cover for increased light control and to conceal hardware from street view.
- Dynamic light and heat control can aid in increasing energy efficiency.
- Contract Series One Clutch uses our patented "Velvetrol" configuration to reduce friction, stress and pressure on moving parts allowing for longer life.
- Contract Series One Clutch mechanism disengages to 90% of its holding force allowing for lower pull forces needed to raise larger shading systems.
- Permanently lubricated clutch design made of Teflon and glass-filled Nylon (Nylon 6) and surgical grade polymers will not degrade over time and are impervious to heat and moisture.
- Rollease Acmeda Stainless Steel ball chain is rated to 120 lbs. of pull strength to resist breakage due to standard wear and tear as well as abuse.
- Heavy Duty "Silent Pin" Idler - 10mm steel locking idler with bronze steel bushing for silent operation and heavy-duty security.
- Powder coated steel box brackets made of heavy 13 Gage Steel w thickness of .090" (2.28mm).
- Rollease Acmeda chain safety tensioners reach the ANSI/WCMA A100.1-2018 standard and are approved by the Consumer Product Safety Commission to prevent a hazardous loop from being formed to eliminate strangulation hazards.



FINISH COLORS

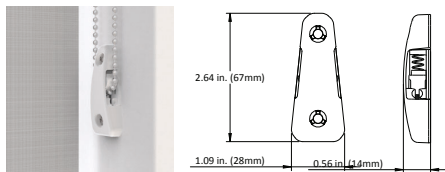


Match this solution with any of our sunscreen, blockout or high performance fabrics for a complete finished solution.

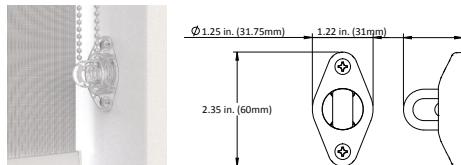
See our document library for comprehensive information including HPD, LEED & NRC specifications.

CHILD SAFE OPTIONS

Chainhold

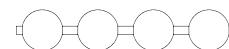


Safety Hold 3



CHAIN OPTIONS

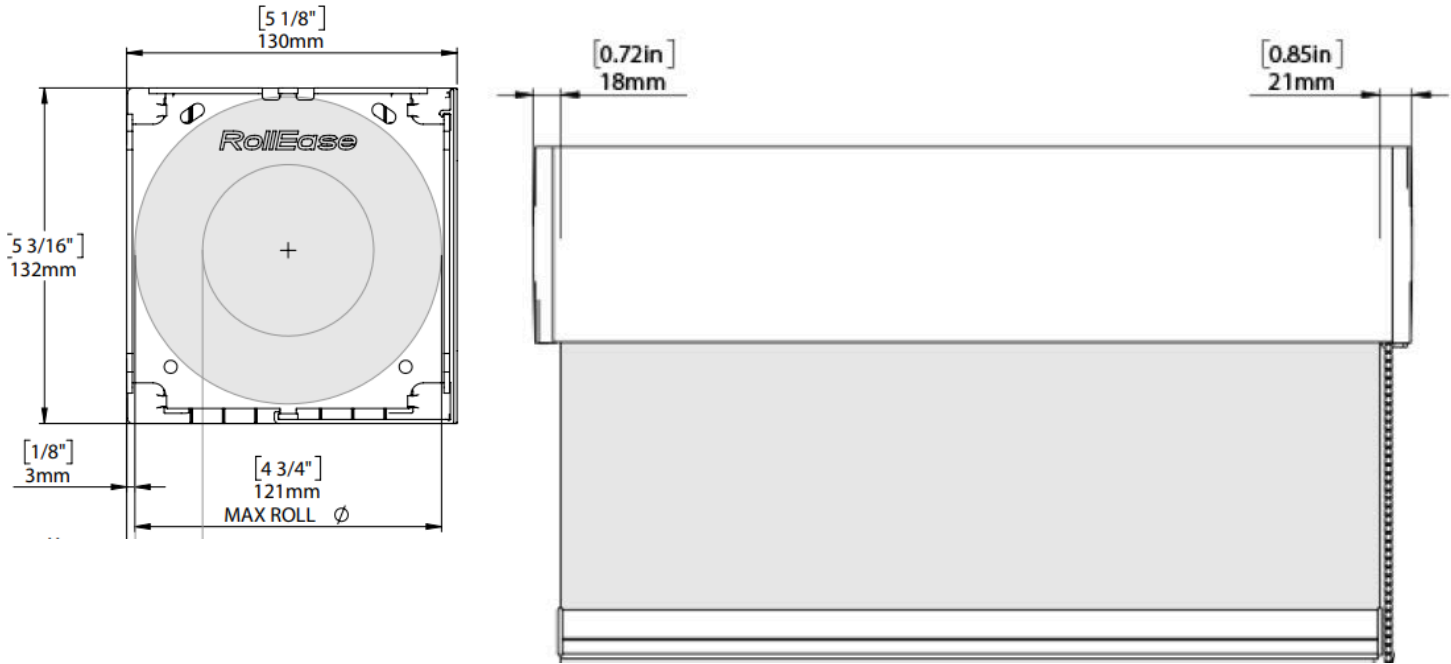
Stainless Steel or NPS



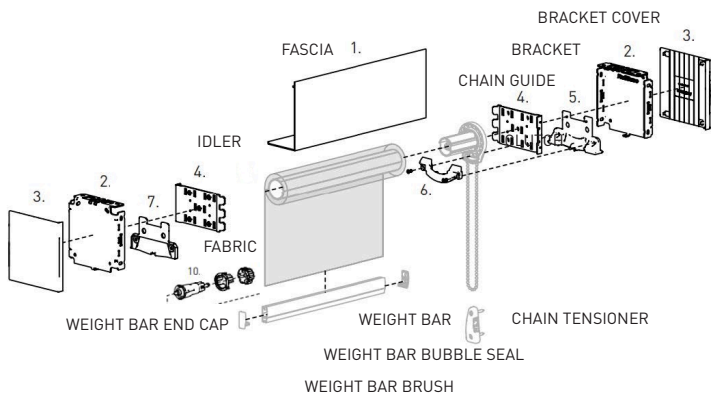
APPROXIMATELY 50-51 BALLS PER FOOT

- NICKLE PLATED STEEL: AVG. TENSILE STRENGTH 50 LBS
- STAINLESS STEEL: AVG. TENSILE STRENGTH 120 LBS

FRONT & SIDE VIEW

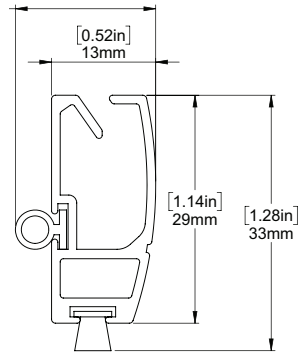


SCHEMATIC

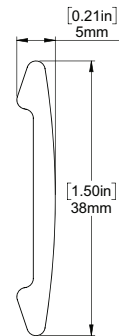


BOTTOM RAIL OPTIONS

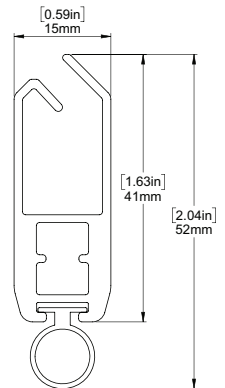
D30 SILENT WEIGHT BAR



INTERNAL HEM BAR



F4115 HEM BAR



SYSTEM UPGRADES

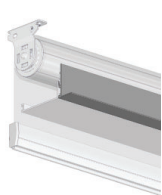
5" Pocket

[for hidden recess mounts]



L & I Clips

[for hidden recess mounts]



Edge Side Channels

[for improved light blackout]



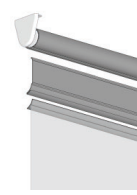
Internal Wire Guide

[supporting complex shading systems]



Fabric Switch System

[fast easy changing of fabric on a roller shade]



For more information about our Upgrade solutions, see our UPGRADE SPECIFICATION sheets.