

# CONTRACT SPECIALTY

## S100 EXTREME OPEN ROLL

Motorized Control



With the ability to achieve up to 26' widths and 35' drops, covering a maximum of 500 square feet, the Extreme System consists of robust hardware and an optional premium aluminum headbox, providing a solution for extreme size shading systems for an extreme aesthetic impact on design and solar control. Significantly heavier and impressive shading systems require precision engineered, heavy duty hardware, that can support multiples of its own weight. .020" inch thick, 1.5 pound, extreme duty steel brackets and locking idler and motor side features provide maximum security for larger applications. The perfect solution for internal applications, domestic or commercial; instead of splitting shades with links, which creates additional center light gaps, the extreme system creates new opportunities to achieve greater, grander, more beautiful shades.

### FEATURES:

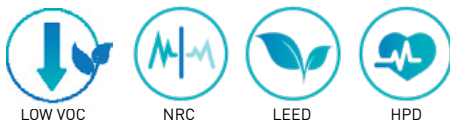
- Maximum widths to 26 feet and maximum drops to 35 feet, with the ability to cover a maximum of 500 sq. ft.
- Spliceable 160mm tube and bottom rail for extended width applications.
- Adjustable locking bearing idler.
- Optional headbox provides added protection for fabric roll.
- Driven by our powerful 50Nm Automate motor
- Stylish optional headbox hides componentry while offering a sophisticated overall look.
- Optional headbox features colour matched end plates for face fix shades.



### BRACKET COLORS



### CONTROL OPTIONS



Match this solution with any of our sunscreen, blackout or high performance fabrics for a complete finished solution. See our document library for comprehensive information including HPD, LEED & NRC specifications.

Pulse/ Smart Phone

ARC Repeater

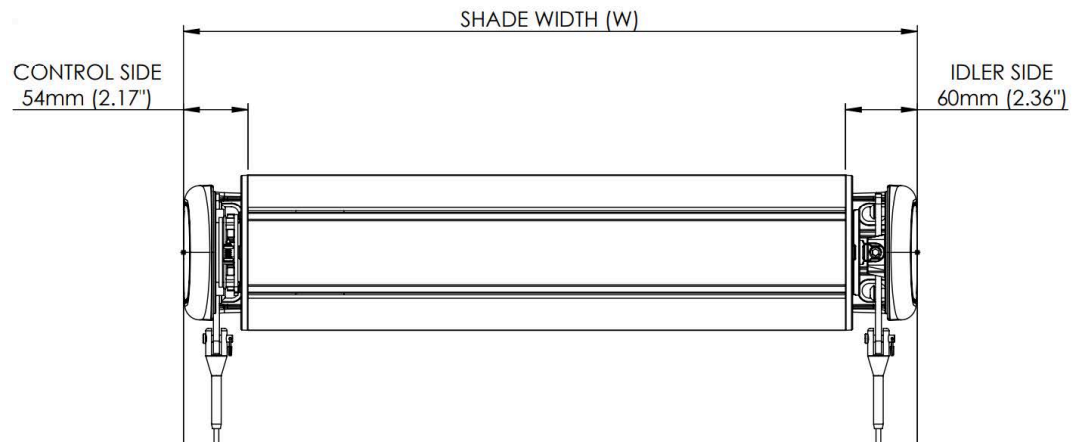
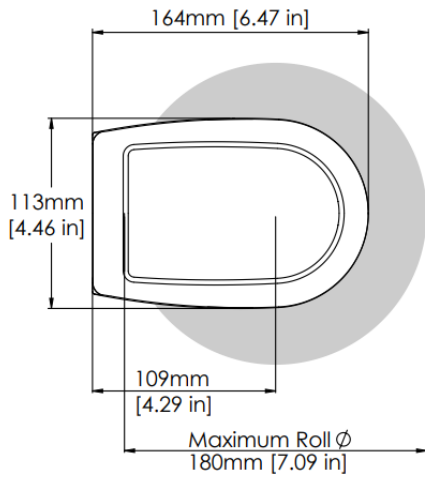
Motor controls

Sun Sensor

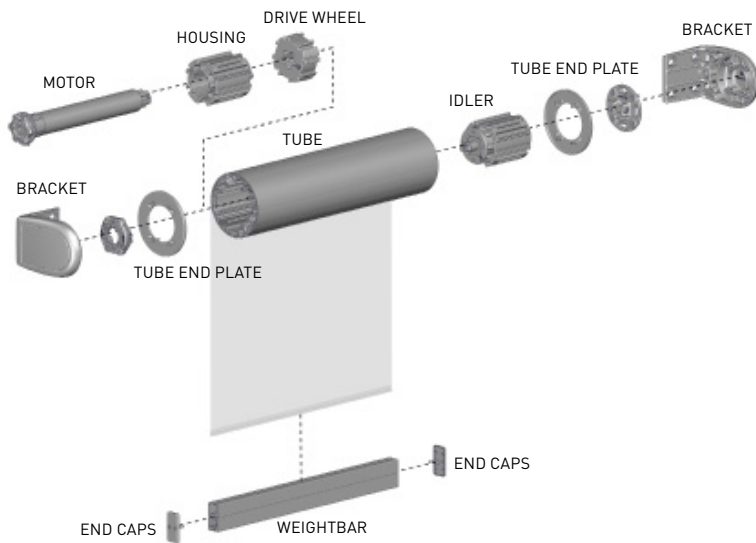


ROLLEASE ACMEDA CONTRACT

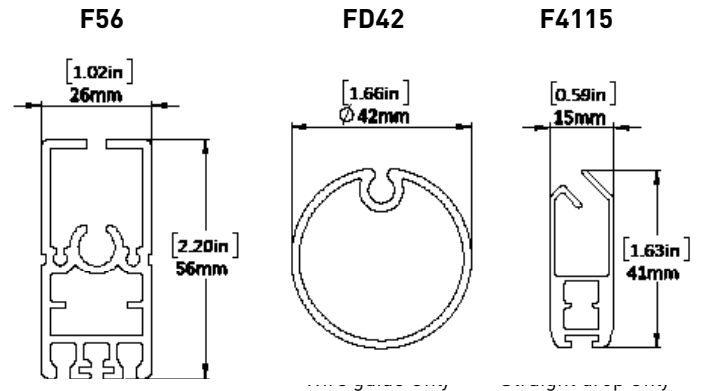
## FRONT & SIDE VIEW



## SCHEMATIC



## BOTTOM RAIL OPTIONS



Additional weight ballast may be included if needed.

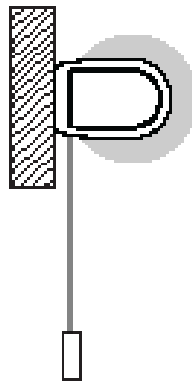
## SYSTEM UPGRADES

### Wire Guide

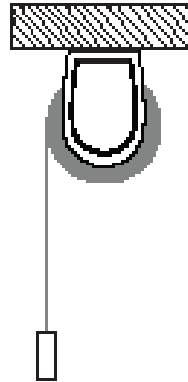


## MOUNTING OPTIONS

### Face Mount



### Top Mount



### Inside Mount

