

CONTRACT SPECIALTY

S100 EXTREME HEADBOX

Motorized Control



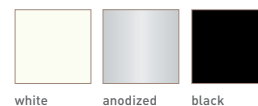
With the ability to achieve up to 23' widths and 20' drops, covering a maximum of 400 square feet, the Extreme System consists of robust hardware and an optional premium aluminum headbox, providing a solution for extreme size shading systems for an extreme aesthetic impact on design and solar control. Significantly heavier and impressive shading systems require precision engineered, heavy duty hardware, that can support multiples of its own weight. .020" inch thick, 1.5 pound, extreme duty steel brackets and locking idler and motor side features provide maximum security for larger applications. The perfect solution for internal applications, domestic or commercial; instead of splitting shades with links, which creates additional center light gaps, the extreme system creates new opportunities to achieve greater, grander, more beautiful shades.

FEATURES

- Maximum widths to 23 feet and maximum drops to 20 feet, with the ability to cover a maximum of 400 square feet.
- Spliceable 160mm tube and bottom rail for extended width applications.
- Adjustable locking bearing idler.
- Optional headbox provides added protection for fabric roll.
- Driven by our powerful 50Nm Automate motor
- Stylish optional headbox hides componentry while offering a sophisticated overall look.
- Optional headbox features colour matched end plates for face fix shades.



BRACKET COLORS



white anodized black

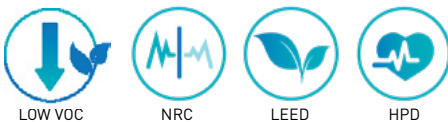
CONTROL OPTIONS

Pulse/ Smart Phone

ARC Repeater

Motor controls

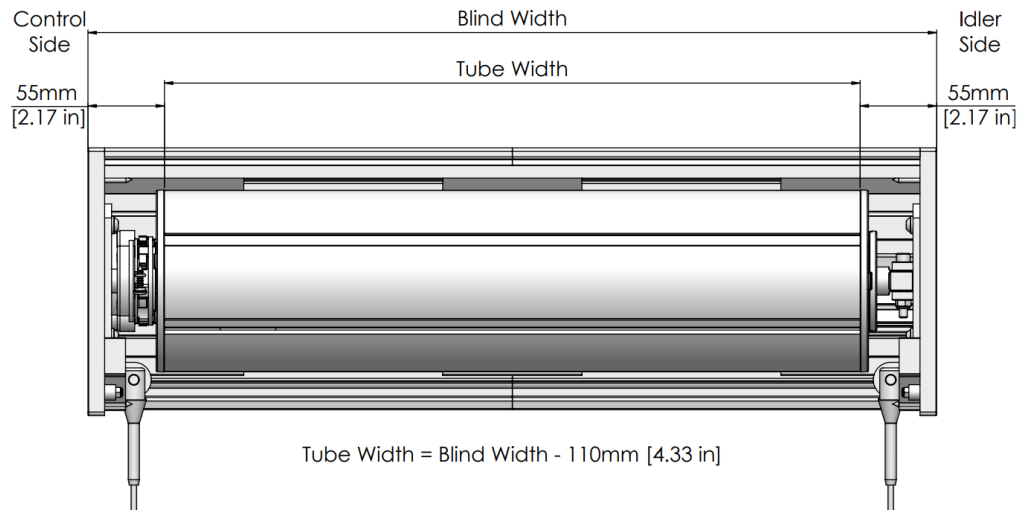
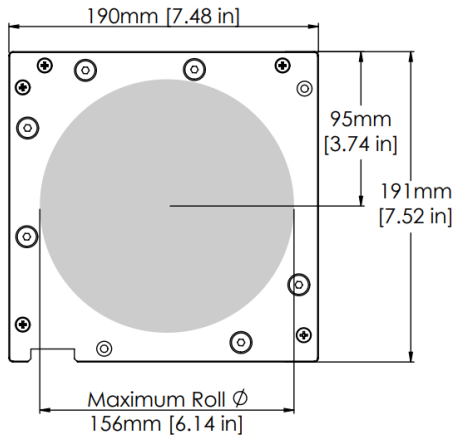
Sun Sensor



Match this solution with any of our sunscreen, blackout or high performance fabrics for a complete finished solution. See our document library for comprehensive information including HPD, LEED & NRC specifications.

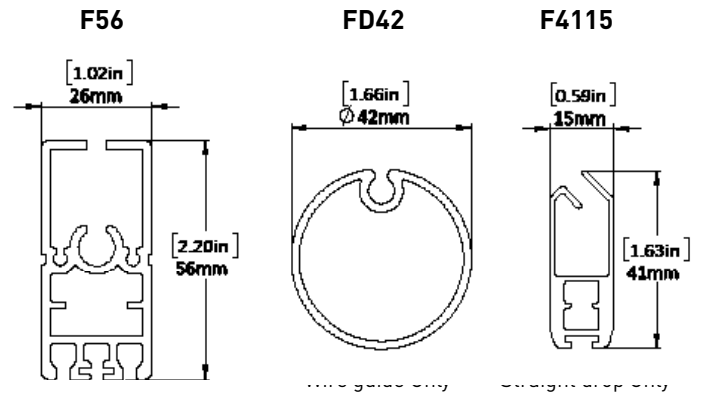
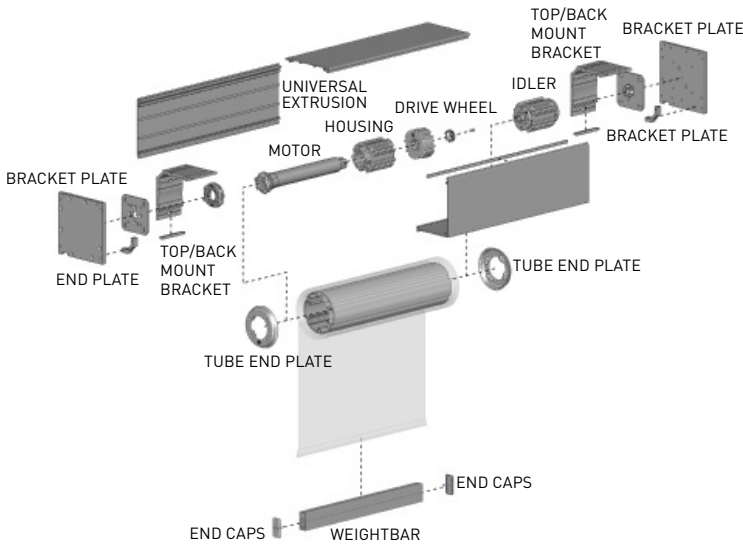


FRONT & SIDE VIEW



SCHEMATIC

BOTTOM RAIL OPTIONS

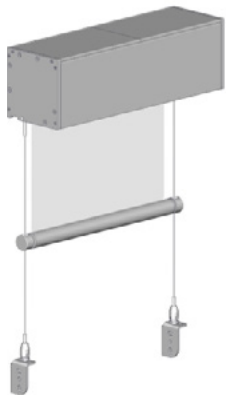


Additional weight ballast may be included if needed.

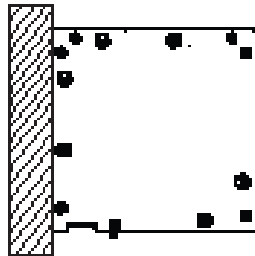
SYSTEM UPGRADES

MOUNTING OPTIONS

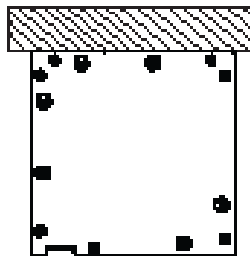
Wire Guide



Face Mount



Top Mount



Inside Mount

