

## SYSTEM OVERVIEW: WIRE GUIDE EXTREME | S100

With the ability to achieve up to 7m widths, the Extreme System consists of robust hardware and a premium aluminium cassette, providing a solution for significantly heavier and impressive shading systems. The perfect solution for internal applications, domestic or commercial, the extreme system creates a new opportunity to achieve greater, grander beautiful blinds.

## AESTHETIC FEATURES

- Powder coated robust die cast brackets.
- Stylish cassette hides componentry while offering a sophisticated overall look.
- Cassette features colour matched end plates.

## ASSEMBLY / INSTALLATION BENEFITS

- Zamack adaptor (for star head motor only) with fixing screws to ensure a secure motor attachment for large blinds.
- Round heavy duty weight bar with floating end cap for self-adjusting alignment .
- Easy Wire guide tensioning at base of blind for adjustment and maintenance.
- Optional tension spring provides virtually maintenance free wire guide tension, automatically adjusting to cable stretch and contraction.
- Adjustable bearing idler.
- Choice of three rigid design aluminium tube sizes; 110mm, 130mm & 160mm with simple spline and component attachments.

## FUNCTIONAL BENEFITS

- Motorised or gear control options.
- Top, Face and Side fix applications.
- Heavy duty tubes & weight bar to achieve wider spans.
- Cassette provides added protection for fabric roll.
- Secure Stainless Steel Wire Guide System.

## SYSTEM OPTIONS

## SIDE FIX BRACKETS



## WALL MOUNT BRACKET



## GEAR CONTROL



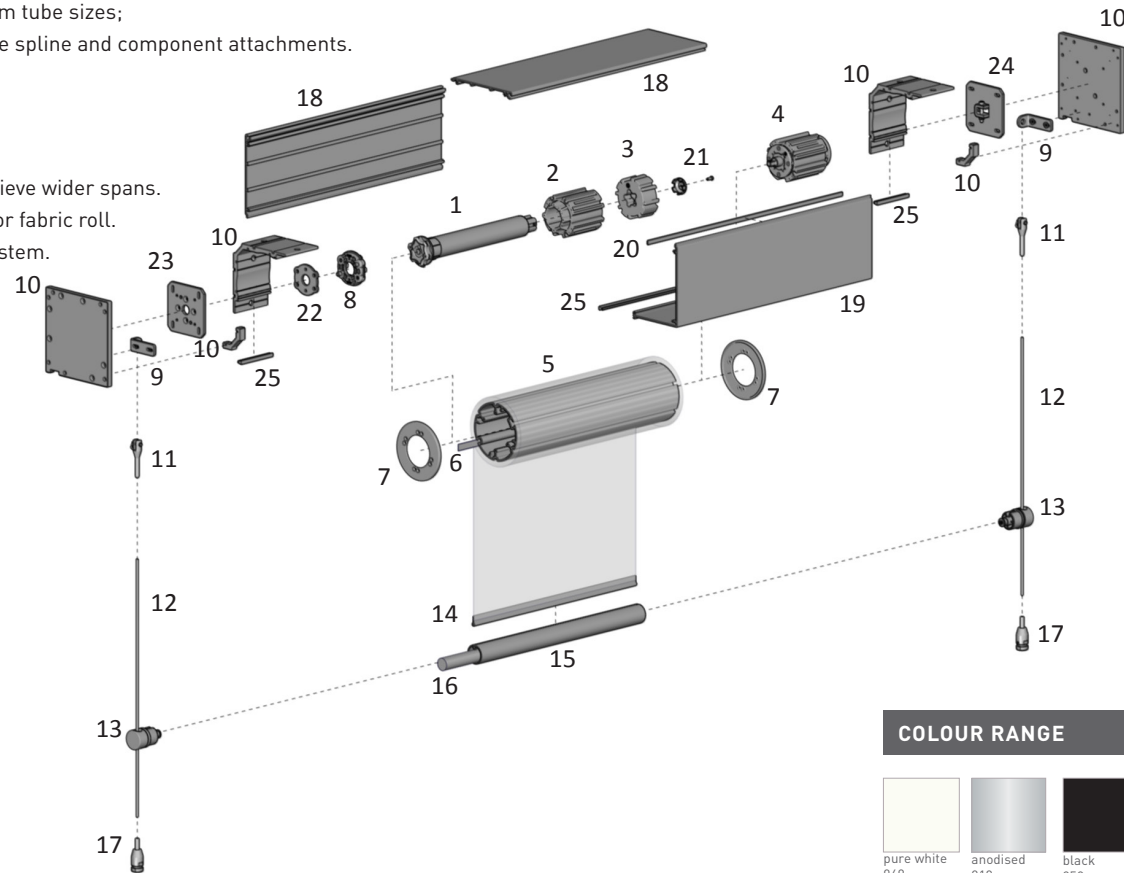
## OPEN



## FABRIC BRUSH



## JOINER



## COLOUR RANGE



## SYSTEM INDEX

1	M50 Motor SOMFY ZAMACK *
2	Extreme Universal Crown Wheel RB80-0701-073100
3	Extreme Drive Wheel RB80-0301-073100
4	Extreme Bearing Idler RB80-0201-073100
5	S100 Aluminium Tube [ STD, HD & XHD] RB93-01#0-000#00
6	15mm Flat Spline [ OR 6mm round spline*] RB92-1501-001100
7	Extreme Tube End Plate [ STD, HD & XHD] RB80-0601-0731#0
8	SOMFY Zamack Adaptor RB56-0762-014050
9	Wire Guide Adaptor Plate & Screws RB80-0481-xxx000
10	Extreme Cassette End Plate & Screws for both sides RE01-1105-xxx000
11	Fork Swage Terminal RE24-1314-009400
12	Stainless Steel Wire - 4mm RB91-3602-006040
13	Extreme FD42 Wire Guide End Cap RB91-1340-xxx003
14	3.5mm Round Spline *
15	Extreme FD42 Weight Bar SB06-1304-xxx600
16	Weight Bar Ballast * [max 28 Diameter]
17	Tension Bracket & Flat Head Stud Terminal RE24-2601-009040
18	Extreme Cassette Top & Back Extrusion RE01-0106-xxxLLL
19	Extreme Cassette Front Cover Extrusion RE01-0107-xxxLLL
20	Foam Tape SB91-0516-xxx009
21	Somfy Clip [Non Acmeda Item]
22	Somfy Zamack Adaptor Spacer RB80-0411-xxx050
23	Extreme Sq. Cntrl Bracket Plate - SIDE FIX RB80-1501-xxx110
24	Extreme Sq. Idle Bracket Plate - SIDE FIX RB80-1502-xxx110
25	Fabric Brush - T-Slot Fit - 10mm High SB91-0012-050300

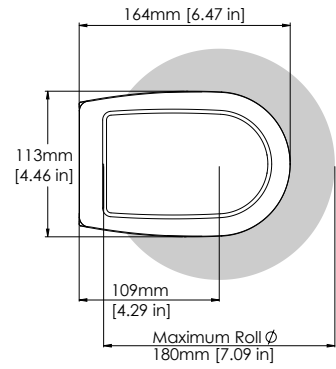
xxx= colour ## = size

\* Non Acmeda Item

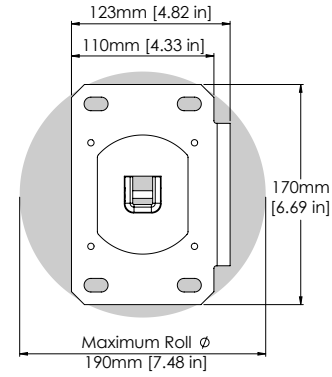
SYSTEM SPECIFICATIONS: WIRE GUIDE EXTREME | S100

MAX ROLL

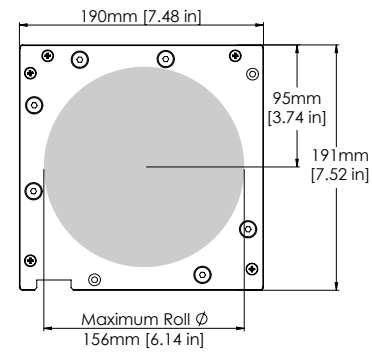
OPEN



SIDE

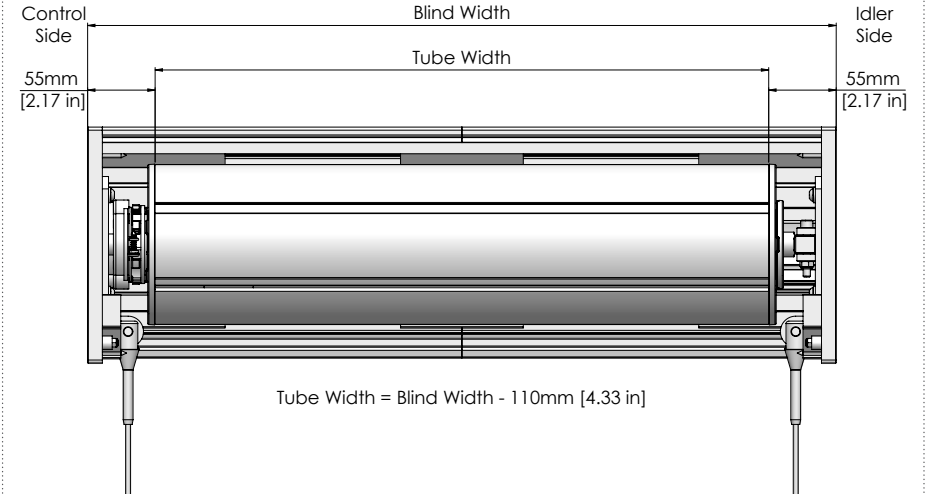


CASSETTE



DEDUCTIONS\*

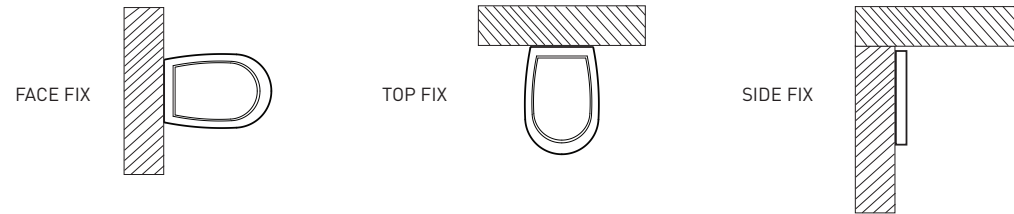
Top/Face Fix Motorised Example Shown



Configuration	Control End		Idler End		Total	
	Motor	Gear	Motor	Gear	Motor	Gear
Box 190	55mm [2.17 in]	67mm [2.64 in]	55mm [2.17 in]	55mm [2.17 in]	110mm [4.33 in]	122mm [4.80 in]
Extreme Open	55mm [2.17 in]	73mm [2.87 in]	60mm [2.36 in]	64mm [2.52 in]	115mm [4.53 in]	137mm [5.39 in]
Extreme Side	48mm [1.89 in]	60mm [2.36 in]	48mm [1.89 in]	48mm [1.89 in]	96mm [3.78 in]	108mm [4.25 in]

Refer to Product Specifications Manual for further details.

OPEN FIXING OPTIONS



RECOMMENDED MAXIMUM WIDTH - MOTORISED SYSTEM \*

TUBE	MAX WIDTH	MAX DROP	MAX WIDTH BOX 190	MAX DROP BOX 190
S100   110mm	5.6 metres	10 metres	5.6 metres	10 metres
S100   130mm	6.6 metres	10 metres	6.6 metres	6.5 metres
S100   160mm	7.0 metres	10 metres	NA	NA

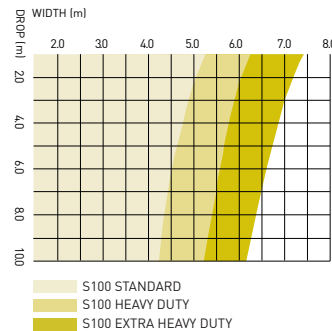
RECOMMENDED MAXIMUM WIDTH - GEAR SYSTEM \*

TUBE	MAX WIDTH	MAX DROP	MAX WIDTH BOX 190	MAX DROP BOX 190
S100   110mm	5.6 metres	4 metres	5.6 metres	4 metres
S100   130mm	6.6 metres	4 metres	6.6 metres	4 metres

\* Refer to Product Specifications Manual for further details.

ALUMINIUM TUBES

TUBE CAPACITY CHART



**S100 | 110 STANDARD**

CODE: RB93-0110-000600  
O.D.: 110mm  
Length: 6metres

**S100 | 130 HEAVY DUTY**

CODE: RB93-0130-000700  
O.D.: 130mm  
Length: 7metres

**S100 | 160 EXTRA HEAVY DUTY**

CODE: RB93-0160-000700  
O.D.: 160mm  
Length: 6.8metres