

MULTI-LINK™ SYSTEM S60

The Acmeda Multi-Link™ system provides a solution to linking shades within the Uni System range. Designed to allow multiple shades to be controlled using a single motor or chain control operation. Maximum width requirements can be achieved with minimal gap disturbances.

AESTHETIC FEATURES

- Colour coded components.
- Optional screw plate cover providing a neat finish.

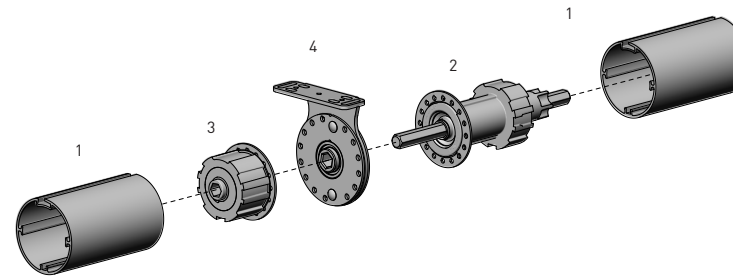
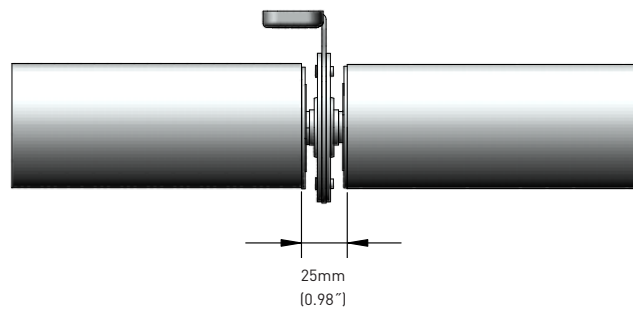
ASSEMBLY / INSTALLATION BENEFITS

- Retractable Intermediate Drive allowing blinds to be installed separately to brackets.
- Adjustable bracket allowing for an overall height adjustment of 10mm [0.39"] [5mm [0.19"] up/down].
- Combo Intermediate bracket allows linking of dual blinds.
- Cost effective Non Adjustable bracket option.

FUNCTIONAL BENEFITS

- Noise dampening bearings ensure a silent & smooth operation.
- Intermediate receiver incorporates a rotating lock mechanism to achieve accurate levelling.
- Intermediate Drive & Receiver manufactured from high grade ABS polycarbonate alloy & machined steel.

DEDUCTIONS



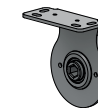
SYSTEM INDEX

1	Aluminium Tube S60
2	Multi-Link™ Intermediate Drive RB56-1002-xxx060 - 60STD RB56-1002-xxx080 - 80HD
3	Multi-Link™ Intermediate Receiver RB56-7202-xxx060 - 60STD RB56-7202-xxx080 - 80HD
4	Intermediate Bracket - Adjustable RB56-7201-xxx060 - Top/Ceiling Fix - 60mm RB56-7201-xxx080 - Top/Ceiling Fix - 80mm RB56-7202-xxx060 - Face/Wall Fix - 60mm RB56-7202-xxx080 - Face/Wall Fix - 80mm

xxx= colour ## = size

SYSTEM OPTIONS

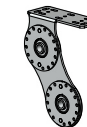
NON ADJUSTABLE BRACKET



NON ADJUSTABLE COMBO BRACKET



ADJUSTABLE COMBO BRACKET



COMPATIBLE SYSTEMS

CHAIN CONTROL SYSTEM S60



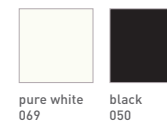
CRANK GEAR SYSTEM S60



MOTORISED SYSTEM S60



COLOUR RANGE



pure white
069

black
050