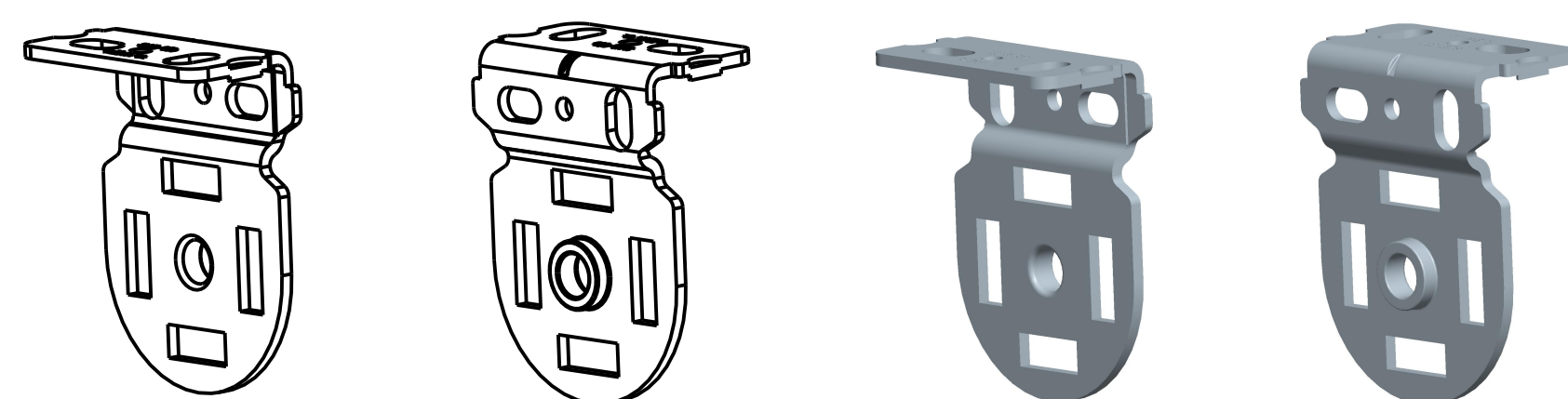
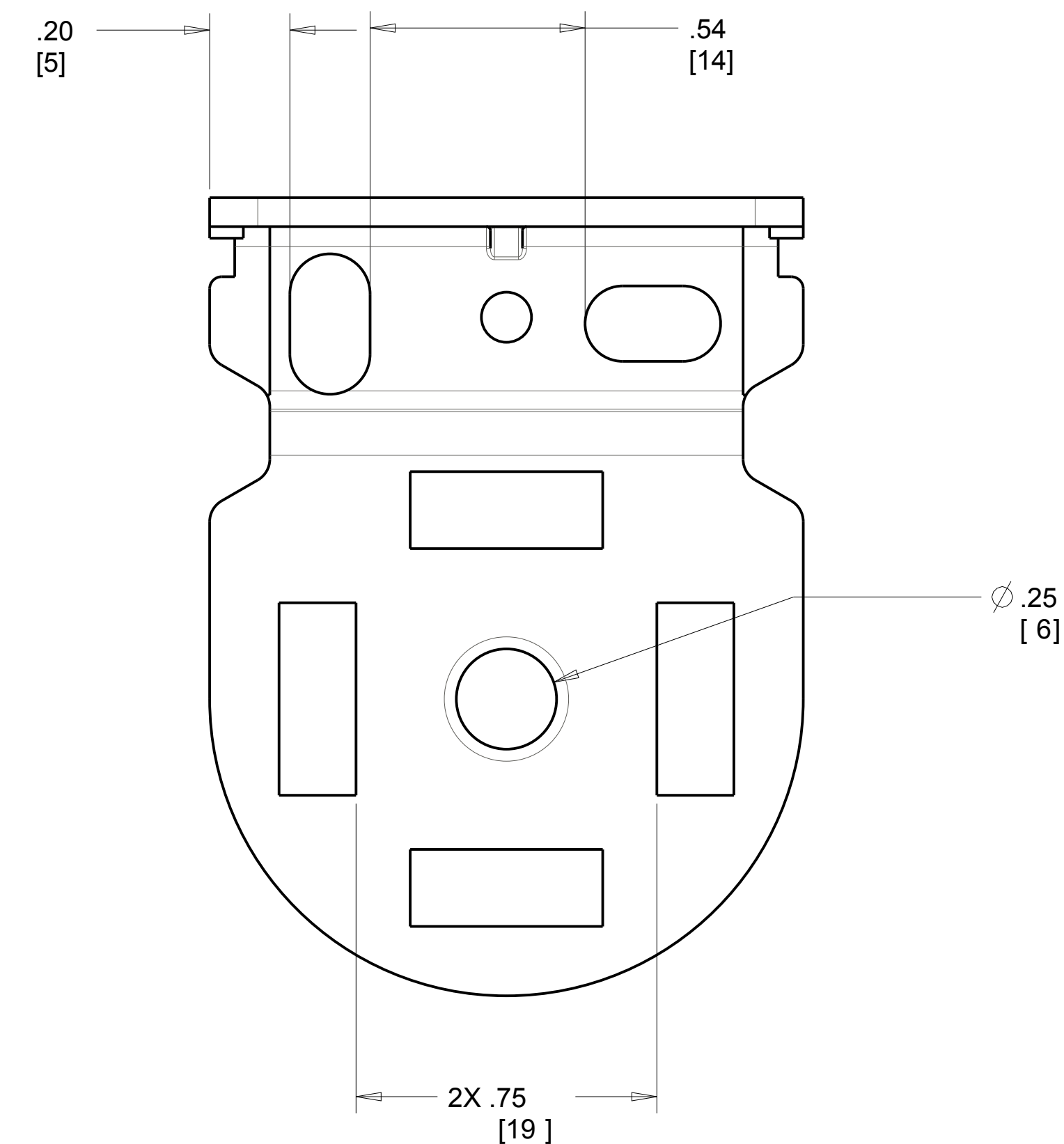
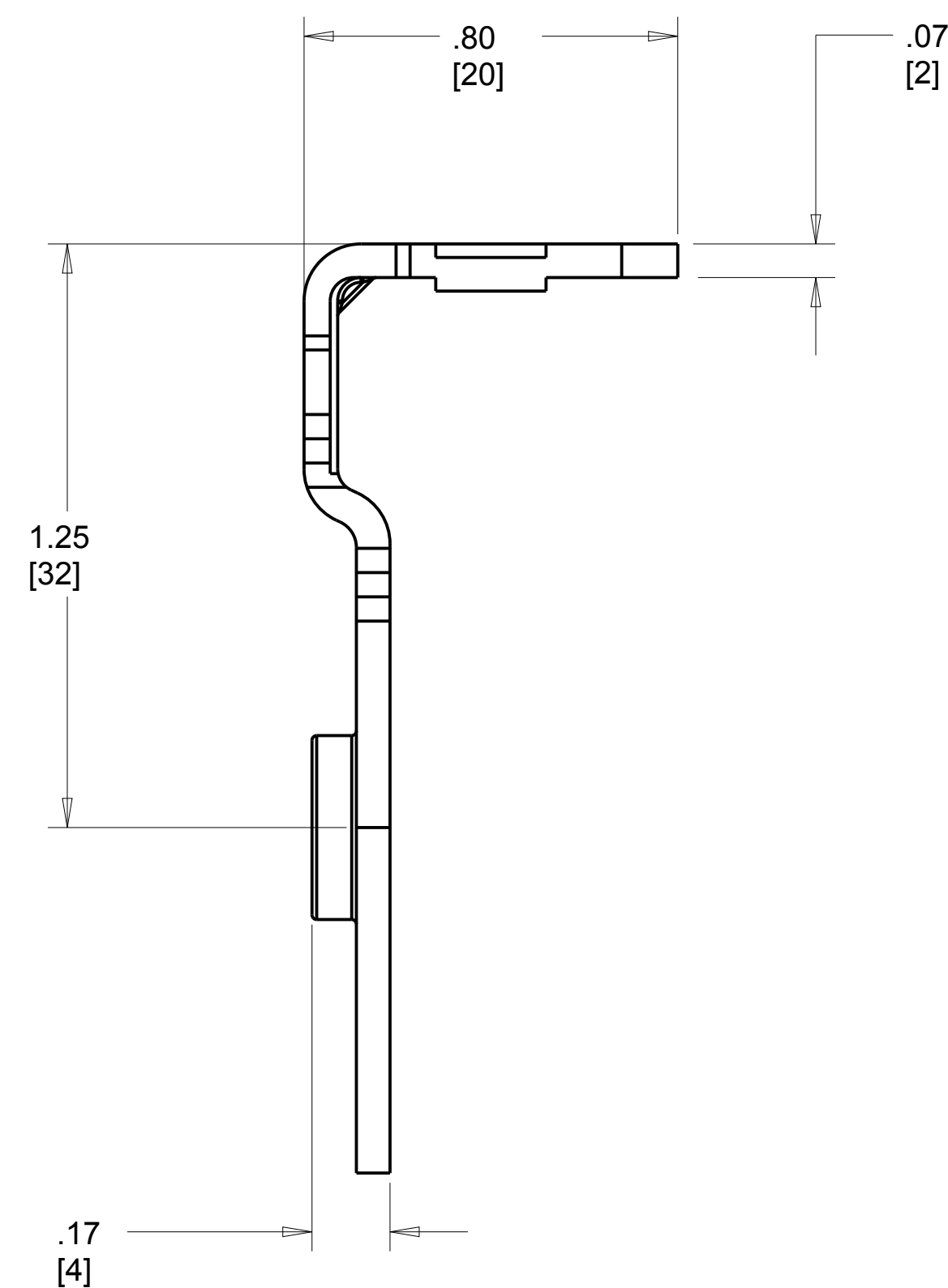
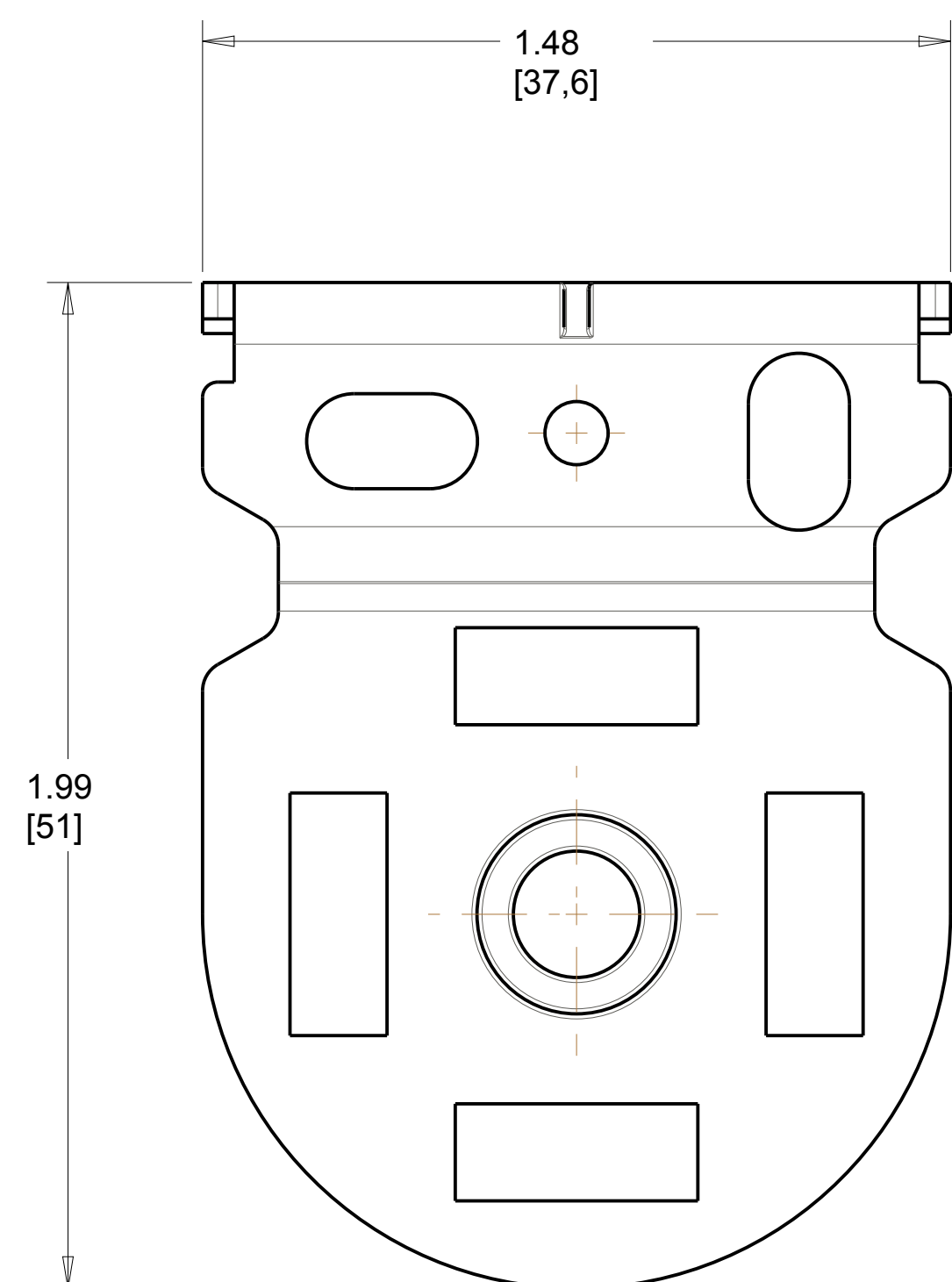
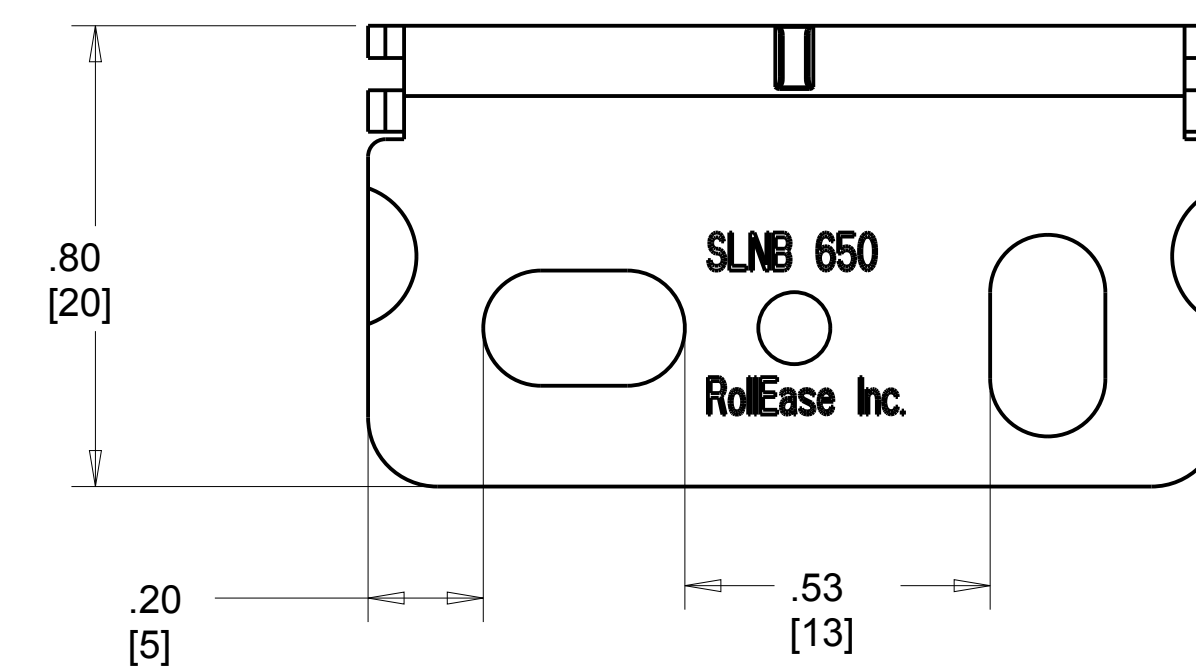


SR NO	ITEM NO	CLUTCHS	MAX ROLL DIA	ROLLEASE TUBES
1	SLNB650XX	SL5HXX SL10HXX SL15HXX	DIA 2.35 INCH OR DIA 59 MM	RTEA1TXX RTEA2TXX RTEA3TXX RTEA4TXX

REVISION RECORD				
SYM	DESCRIPTION	BY	DATE	CHK
G	CUSTOMER INSPECTION DRAWING	JSG	16OCT12	



ITEM NUMBER SLNB650XX

<small>THIS INFORMATION IS CONFIDENTIAL AND PROPRIETARY TO ROLLEASE, INC. THE POSSESSOR AGREES TO MAINTAIN THIS INFORMATION AS CONFIDENTIAL, NOT REPRODUCE OR DISSEMINATE IN WHOLE OR IN PART TO ANY THIRD PARTY.</small>	INCHES [MM]	RollEase <i>Window Covering Systems</i>		
	TOLERANCES	<small>XXX = ± 0.015</small> <small>X.XXX = ± 0.005</small> <small>ANG = ± 1°</small>	<small>LOGO OK</small> JSG	<small>TITLE</small> BRACKET SKYLINE NARROW 1-1/4"
	DATE	<small>SCALE</small> D	<small>ENGINEERING DRAWING NUMBER</small> W073P350	<small>SOLD</small> G.3
	<small>DATE</small> 31MAY2011	<small>SCALE</small> 3:1	<small>ENGINEERING DRAWING NUMBER</small> W073P350	<small>CHK</small> G