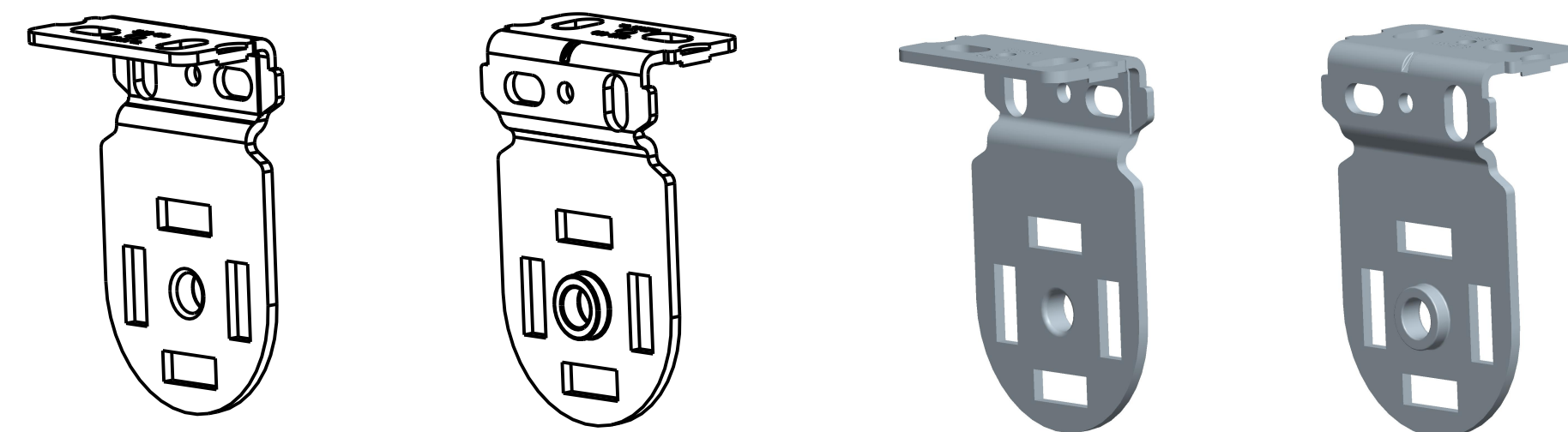
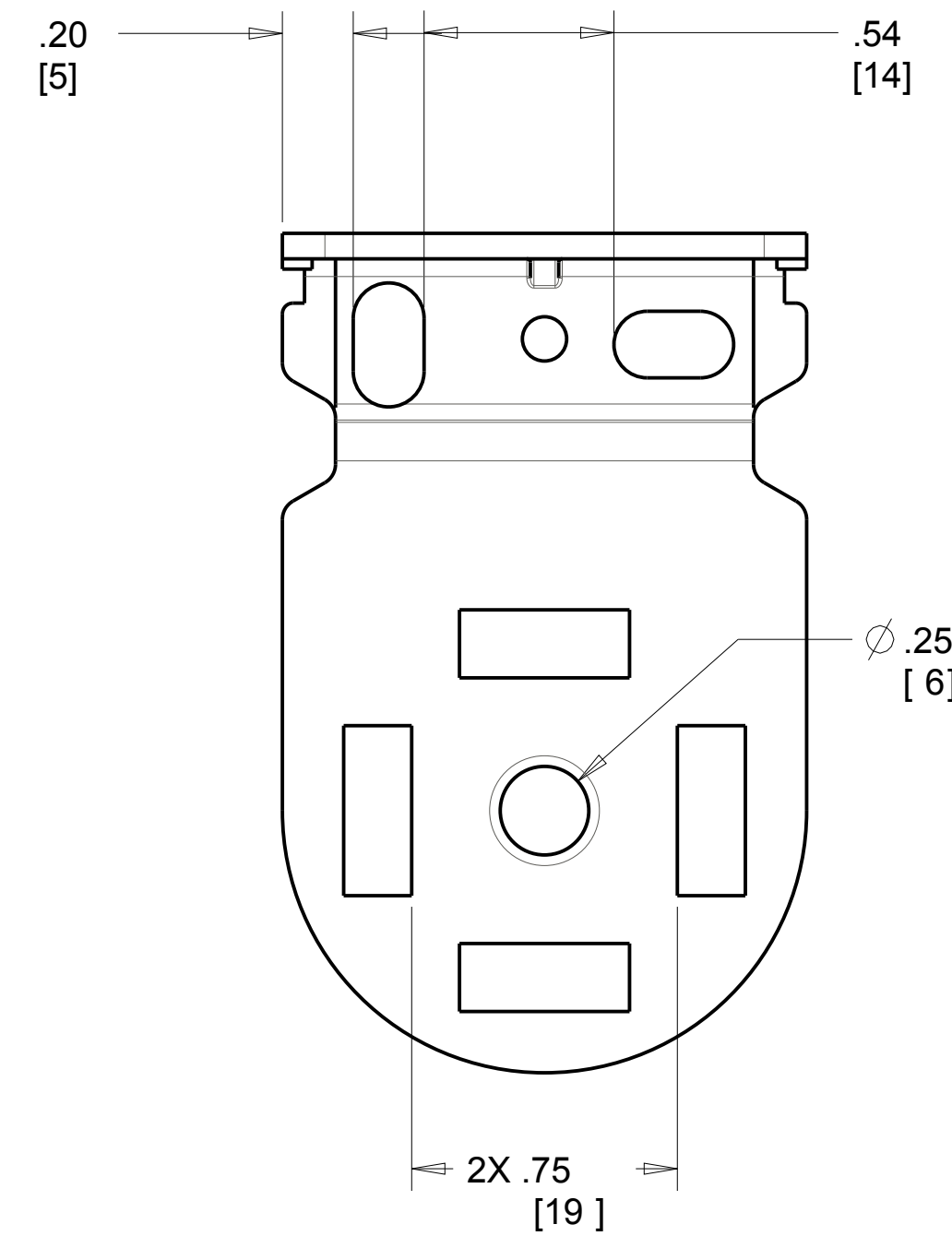
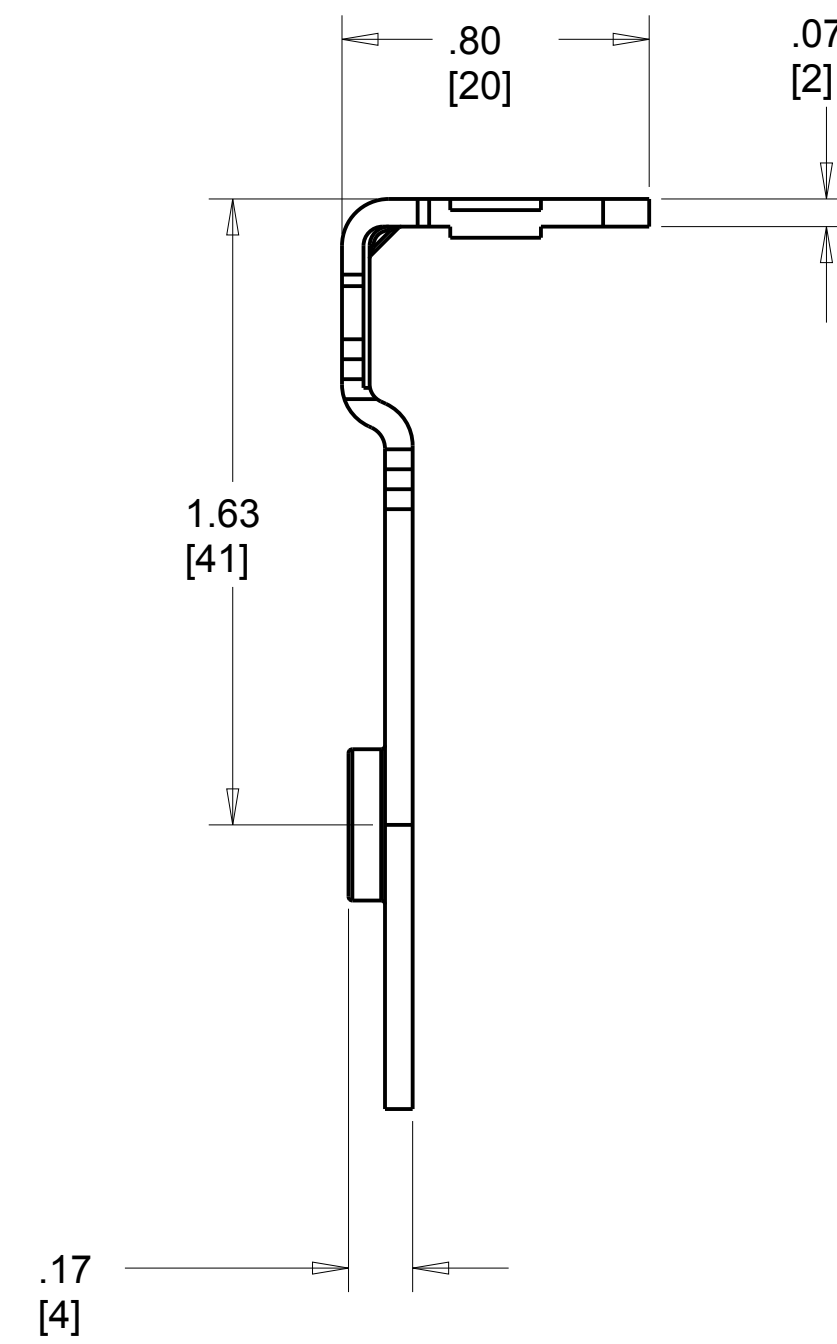
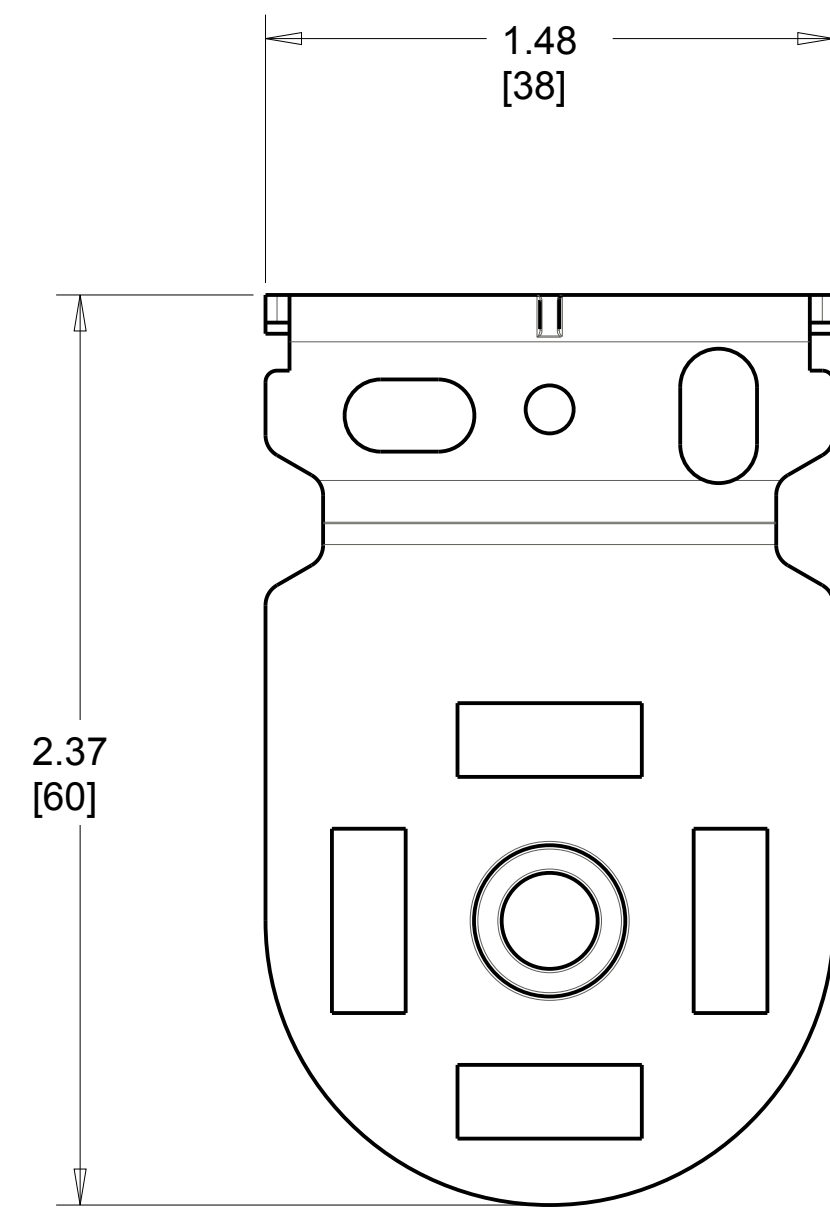
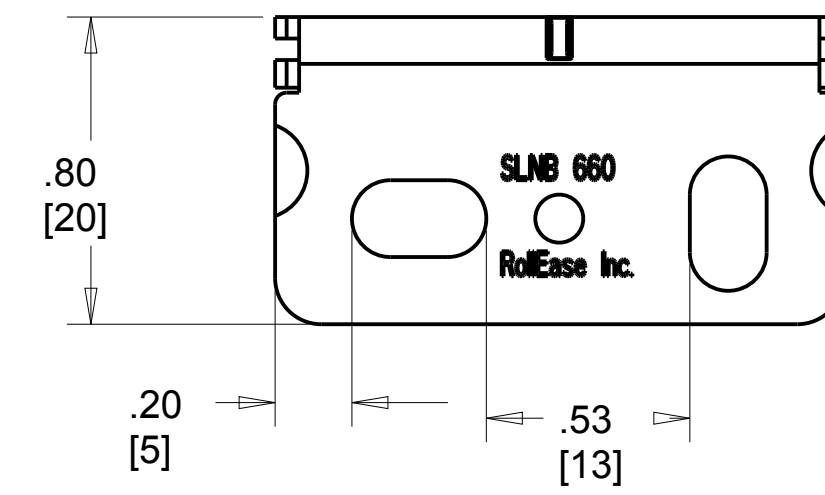


SR NO	ITEM NO	CLUTCHS	MAX ROLL DIA	ROLLEASE TUBES
1	SLNB660XX	SL5HXX SL10HXX SL15HXX	DIA 3 INCH OR DIA 76.2 MM	RTEA1TXX RTEA2TXX RTEA3TXX RTEA4TXX

REVISION RECORD				
SYM	DESCRIPTION	BY	DATE	CHK
G	CUSTOMER INSPECTION DRAWING	JSG	16OCT12	



ITEM NUMBER SLNB660XX

<small>THIS INFORMATION IS CONFIDENTIAL AND PROPRIETARY TO ROLLEASE, INC. THE PROSESSOR AGREES TO MAINTAIN THIS INFORMATION AS CONFIDENTIAL AND NOT REPRODUCE OR RELEASE IT IN WHOLE OR IN PART TO ANY THIRD PARTY.</small>	INCHES [MM]	RollEase <i>Window Covering Systems</i>	
	TOLERANCES	<small>X.XX = ± 0.015</small> <small>X.XXX = ± 0.005</small> <small>ANG = ± 1 °</small>	<small>SEE DETAIL DRG</small>
	DATE	<small>DESIGNED BY</small> JSG	<small>TITLE</small> BRACKET SKYLINE NARROW 1-1/2"
	16OCT12	<small>SCALE</small> 2:1	<small>ENGINEERING DRAWING NUMBER</small> W073P360
		<small>ISSUED BY</small> G.3	<small>REV</small> G