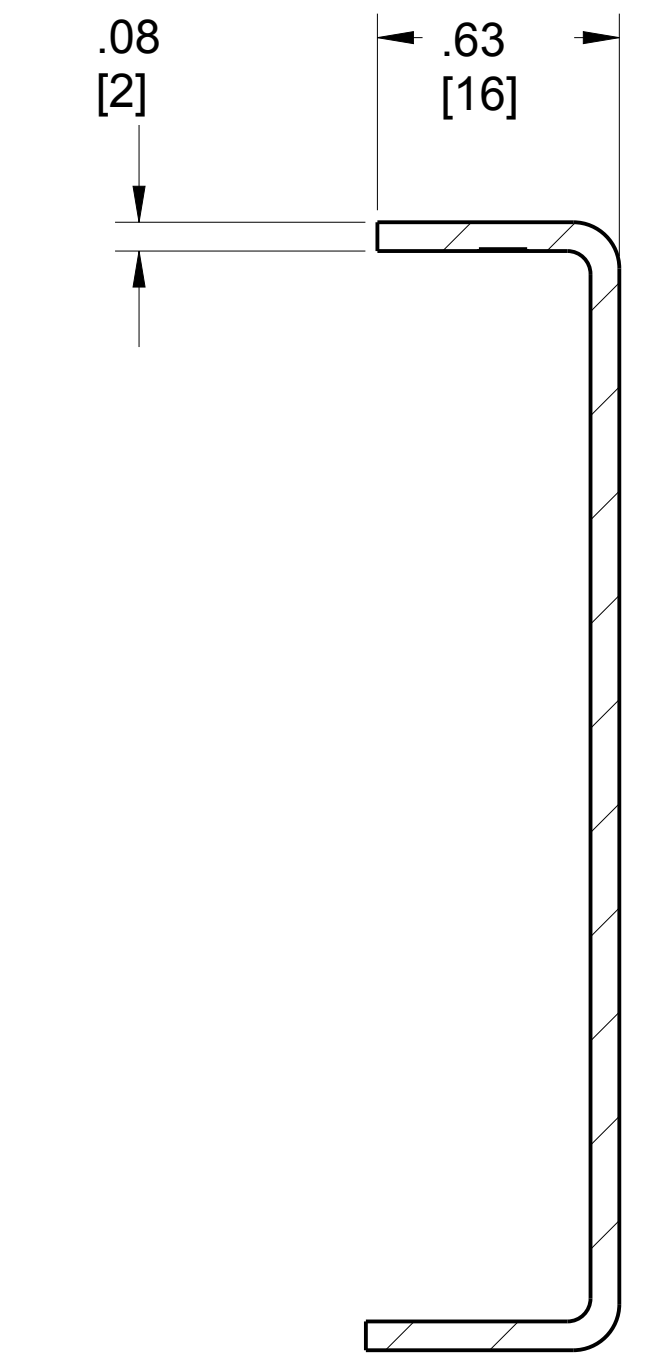
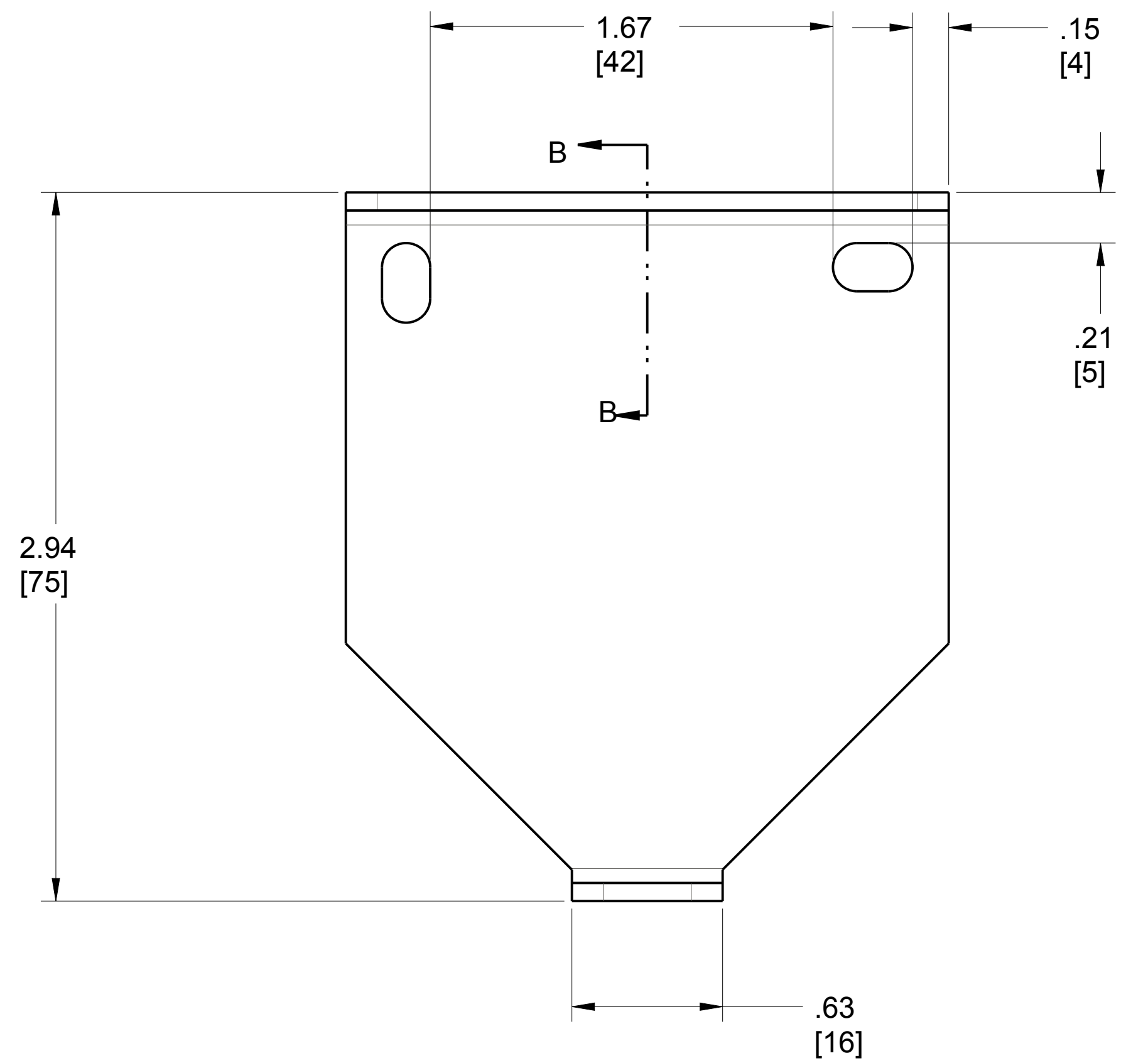
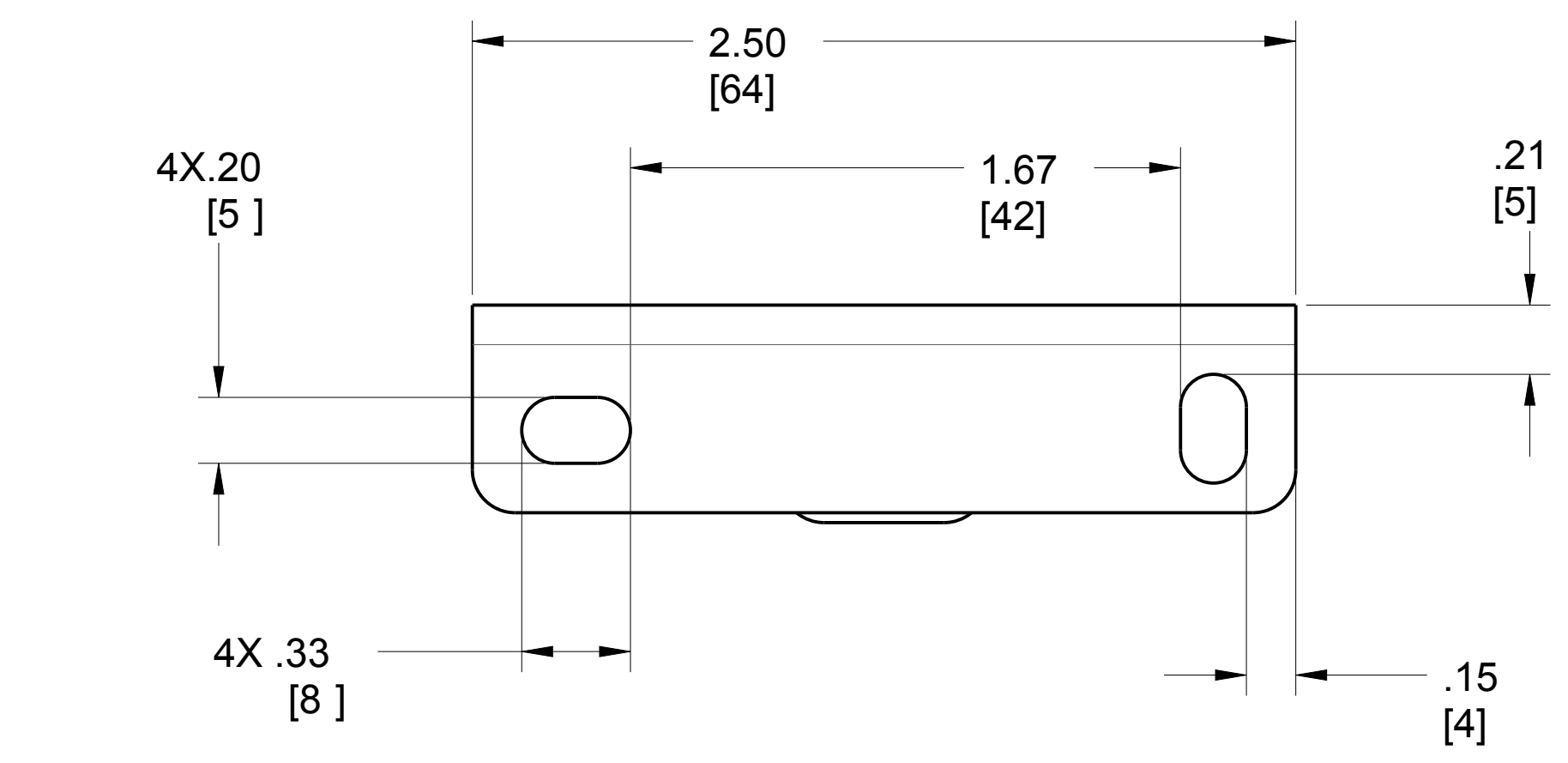
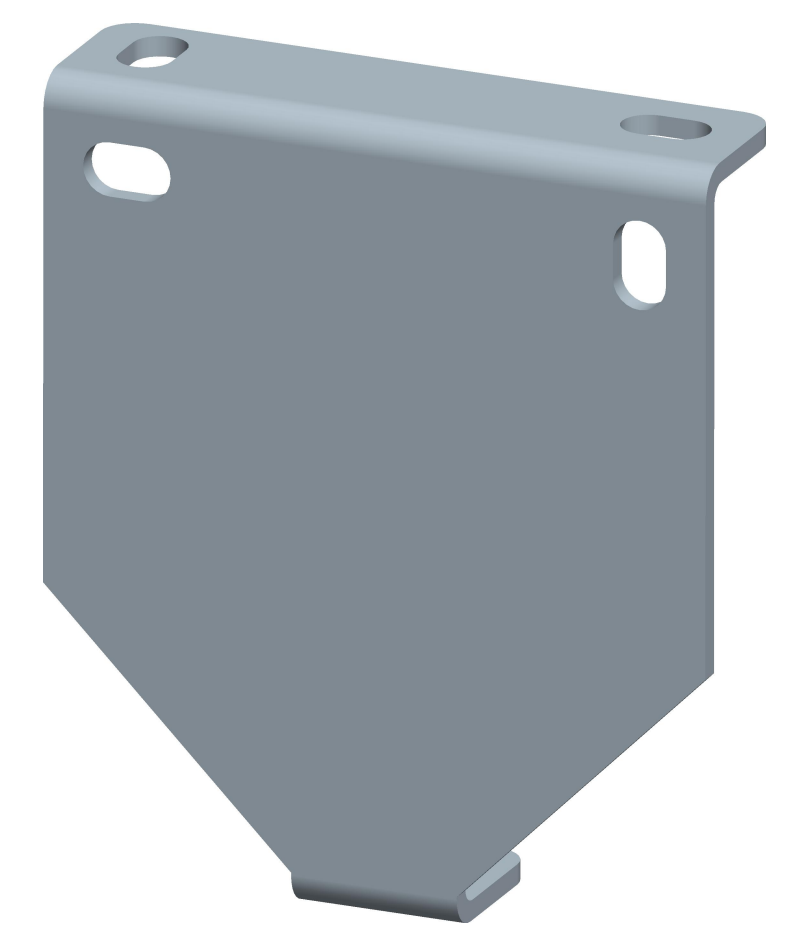
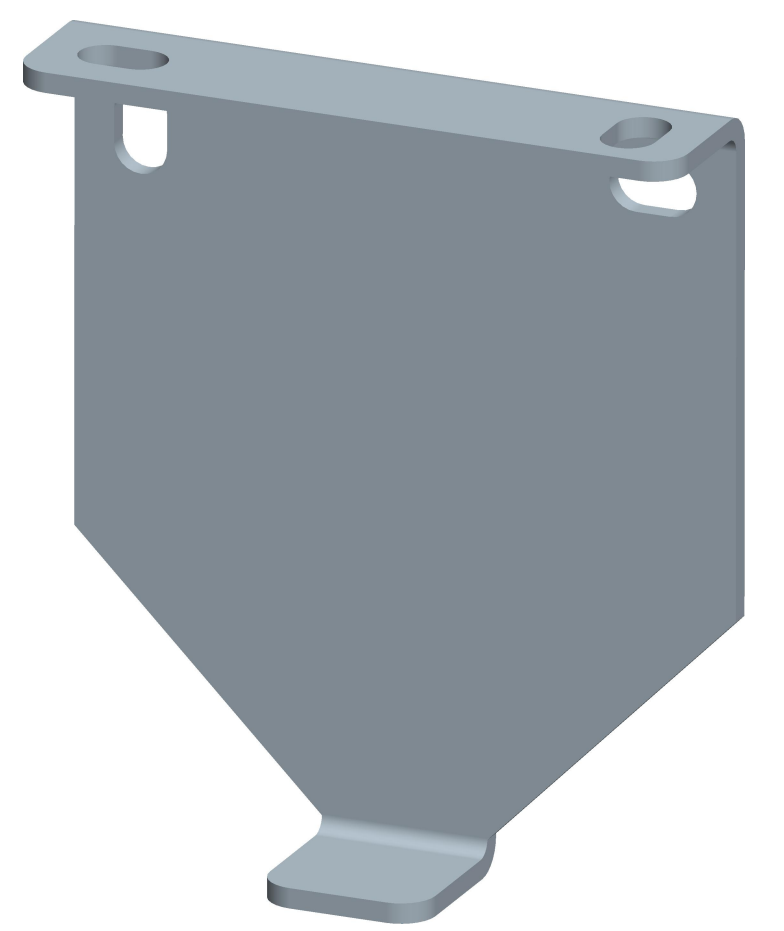
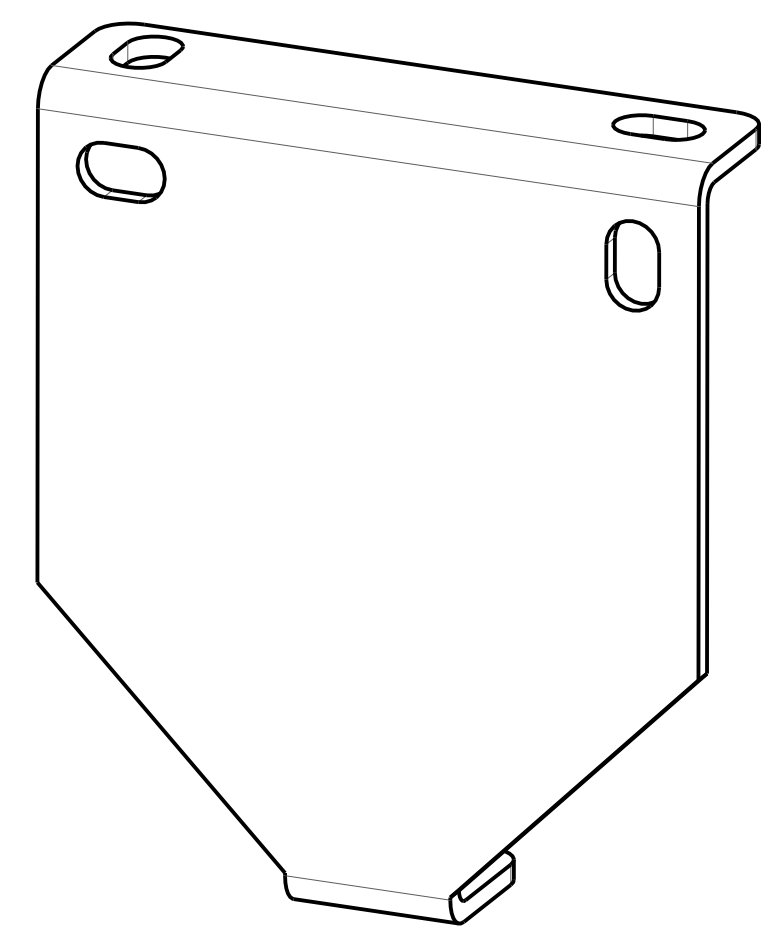
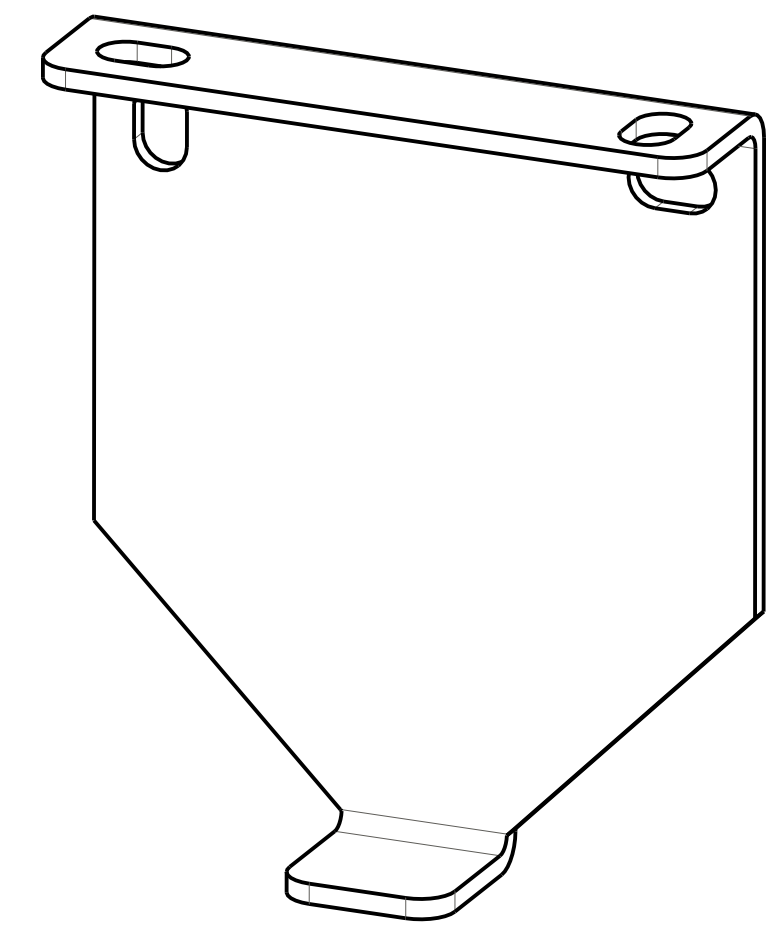


REVISION RECORD				
SYM	DESCRIPTION	BY	DATE	CHK
A	CUSTOMER INSPECTION DRAWING	VRP	11JUL11	



SECTION B-B



SR NO	SBT ITEM NO	CLUTCHES	MAX ROLL DIA	ROLLEASE TUBES
1	RB590XX	R16C53XX R24C53XX	DIA 5.50INCH OR DIA 139.7 MM	RTEA4TXX RTEA5TXX RTEA6TXX RTEA7TXX

<small>THIS INFORMATION IS CONFIDENTIAL AND PROPRIETARY TO ROLLEASE, INC. THE POSSESSOR AGREES TO MAINTAIN THIS INFORMATION AS CONFIDENTIAL, NOT REPRODUCE OR DISSEMINATE IN WHOLE OR IN PART TO ANY THIRD PARTY.</small>	INCHES	RollEase Window Covering Systems		
	TOLERANCES	<small>X.XX = ± 0.015</small> <small>X.XXX = ± 0.005</small> <small>ANG = ± 1°</small>	<small>DATE</small> 11JUL11	<small>SCALE</small> 2:1
	<small>DESIGNED BY</small> VRP	<small>TITLE</small> RB590XX, BRACKET R16-R24 2-7/8 INCH PROJECTION	<small>DATE</small> 11JUL11	<small>SCALE</small> 2:1
	<small>DATE</small> 11JUL11	<small>SCALE</small> 2:1	<small>DATE</small> 11JUL11	<small>SCALE</small> 2:1