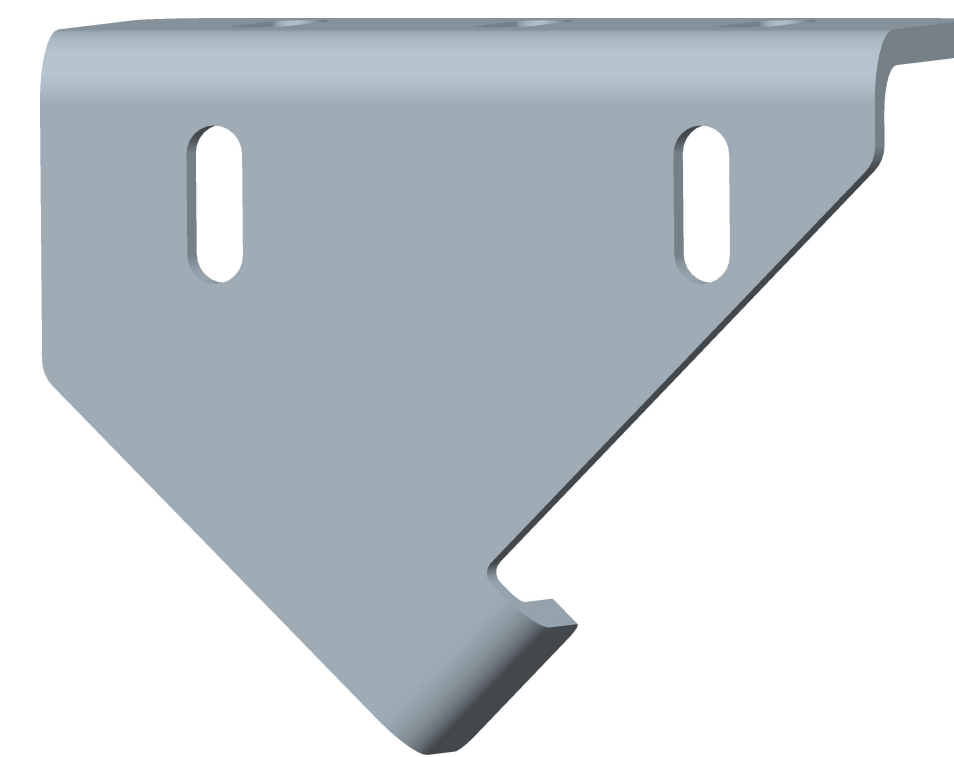
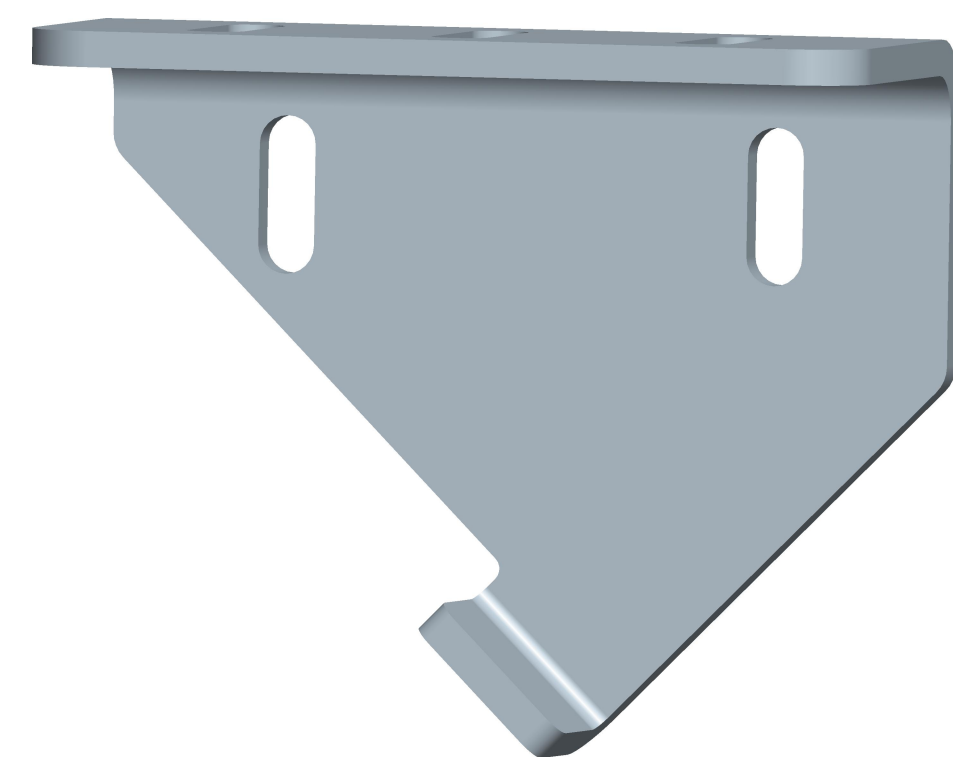
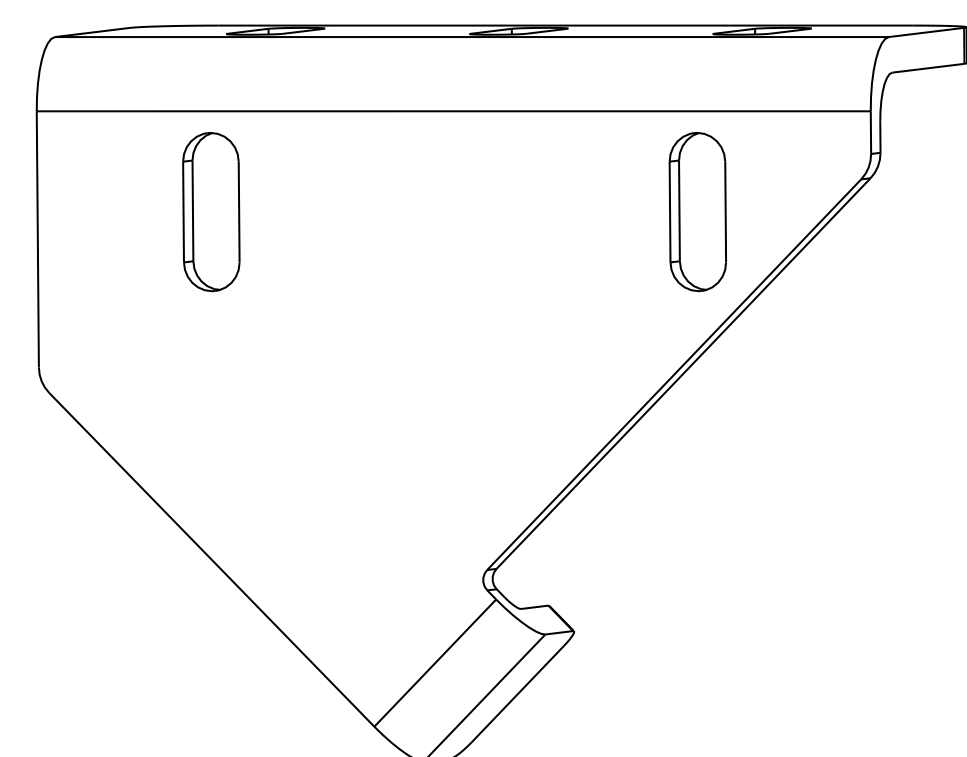
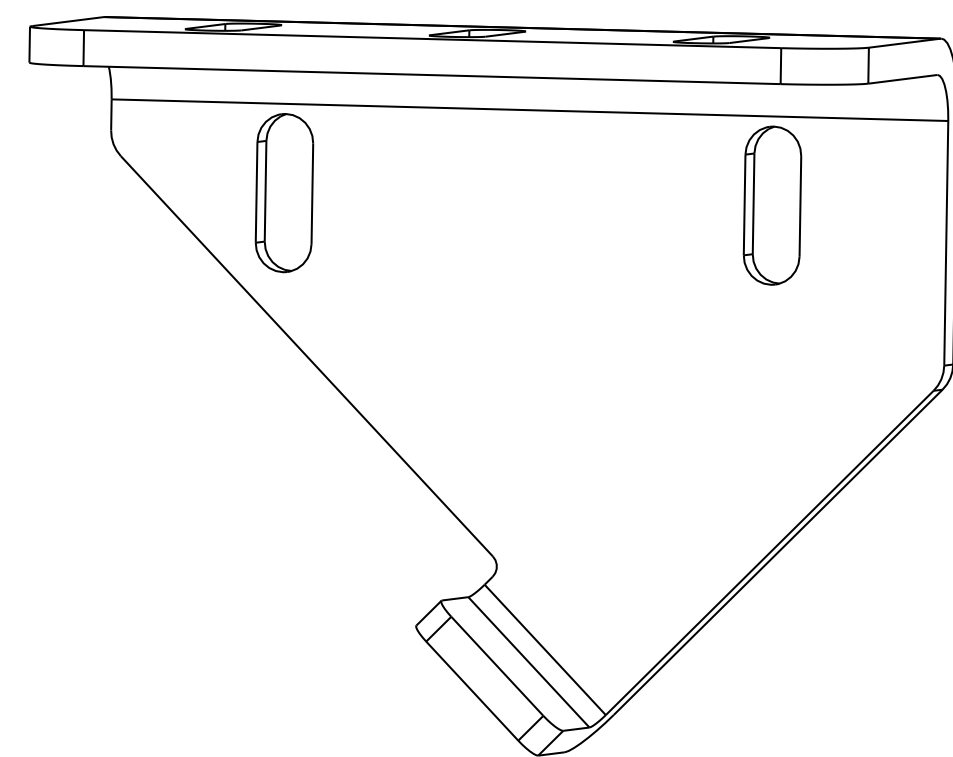
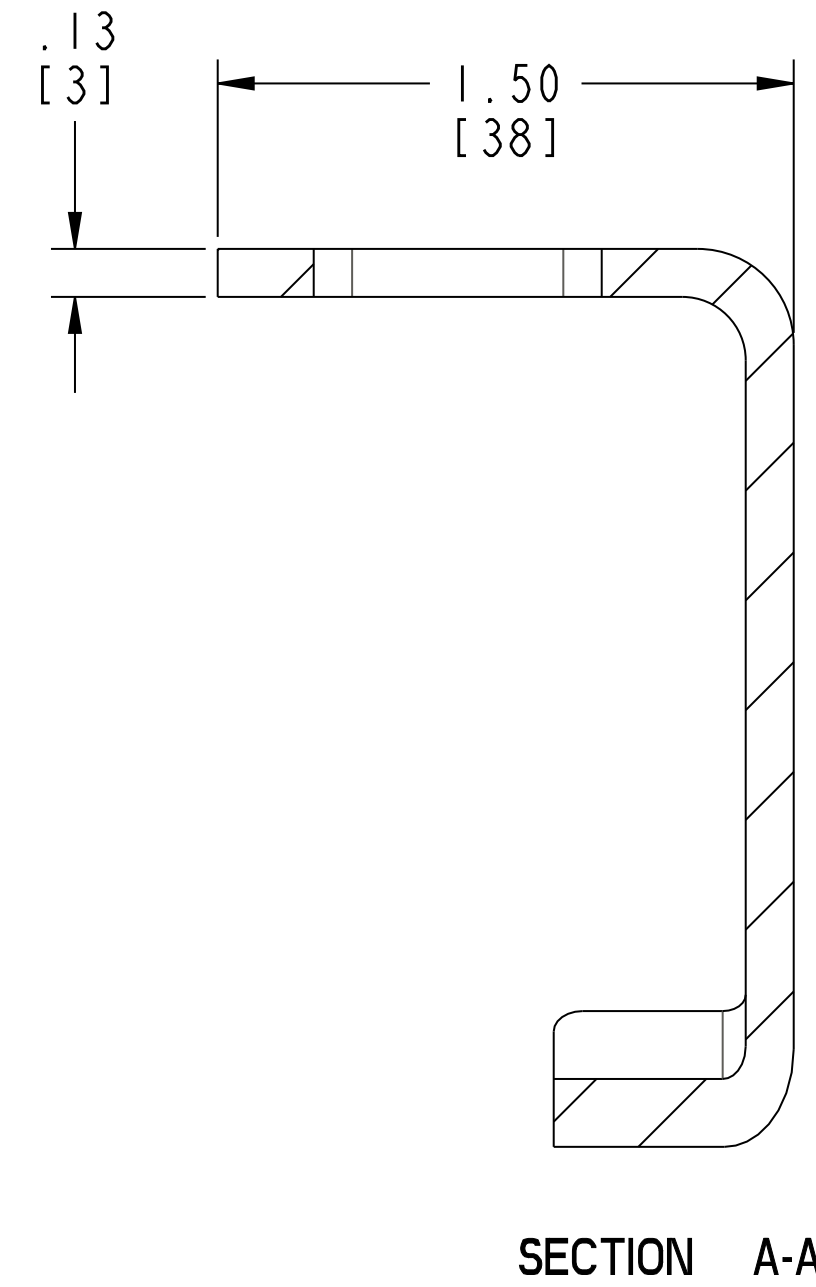
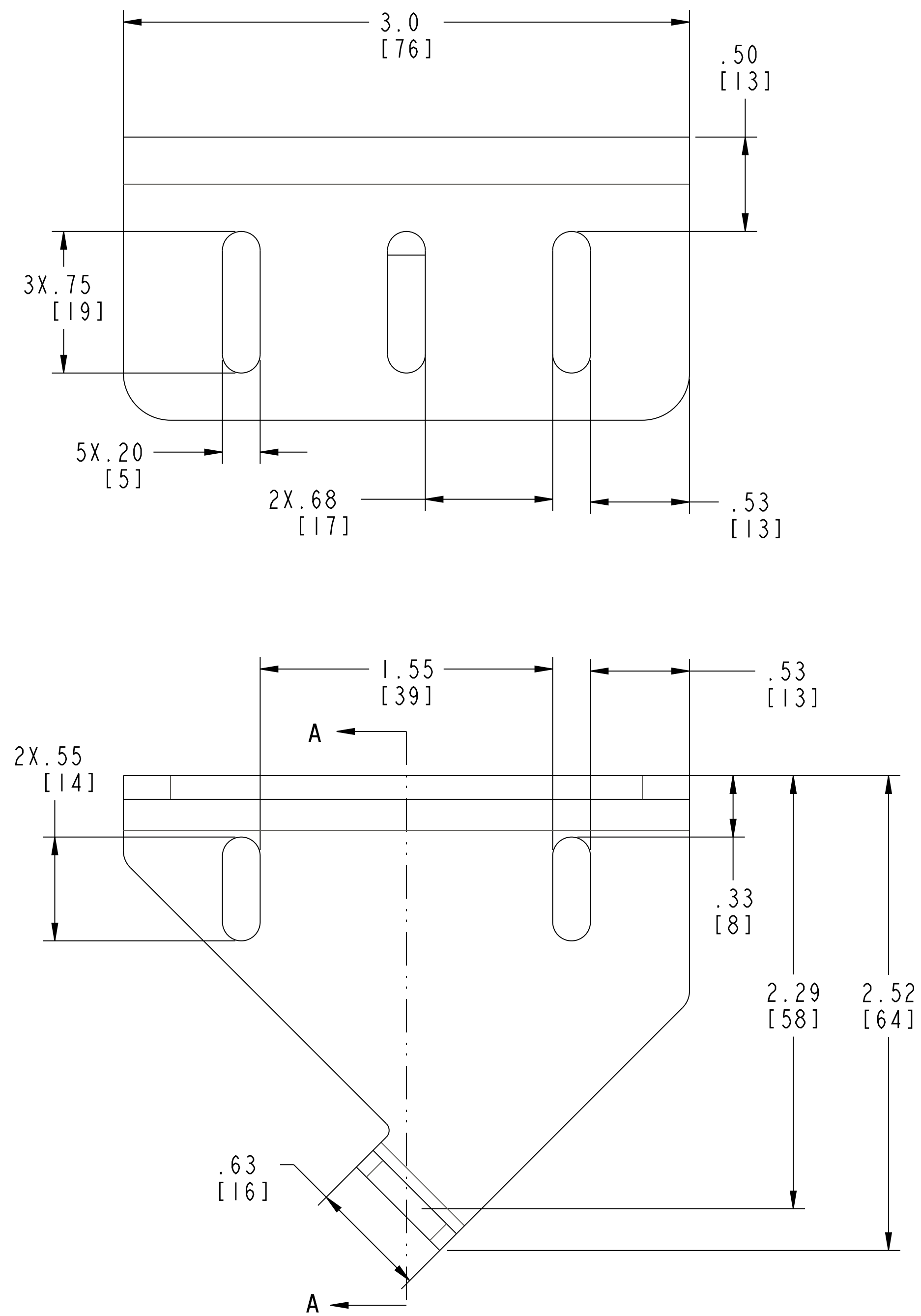


REVISION RECORD				
SYM	DESCRIPTION	BY	DATE	CHK
E	CUSTOMER INSPECTION DRAWING	JSG	28NOV11	



SR NO	SBT ITEM NO	CLUTCHS	MAX ROLL DIA	ROLLESE TUBES
1	RBGALXX	R16C53XX R24C53XX SA24XX RGALXX RGALSAXX RGAL400XX	DIA 4.0 INCH OR DIA 101.6 MM	RTEA4TXX RTEA5TXX RTEA6TXX

THIS INFORMATION IS CONFIDENTIAL AND PROPRIETARY TO ROLLESE, INC. THE PROSESSOR AGREES TO MAINTAIN THIS INFORMATION AS CONFIDENTIAL, NOT REPRODUCING OR REVEALING IT IN WHOLE OR IN PART TO ANY THIRD PARTY.	INCHES	RollEse Window Covering Systems		
	TOLERANCES	X.XX : ± 0.015 X.XXX : ± 0.005 ANG : ± 1°	USED ON DRAWN BY DATE	SEE NOTES TITLE ENGINEERING DRAWING NUMBER
	DATE	11JUL11	VRP SCALE 2:1	ROLLESE XX HEAVY DUTY BRACKET W109P010
	SOLID	E.10	REV	E