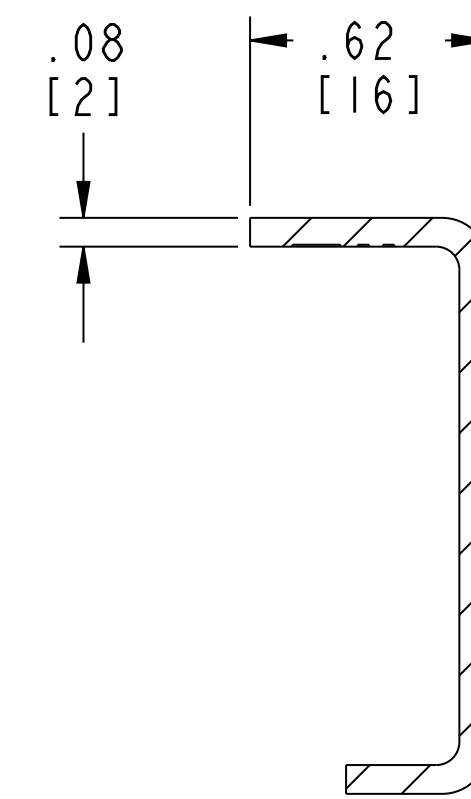
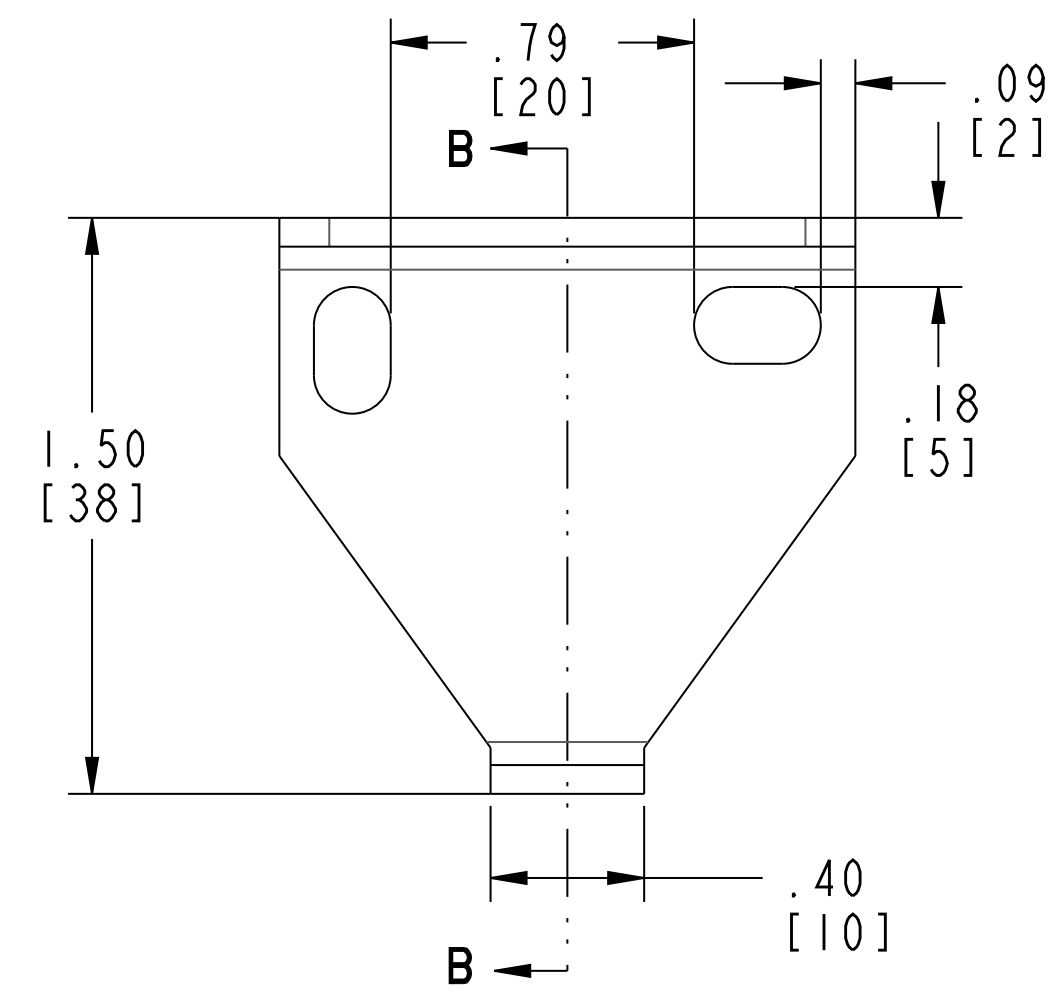
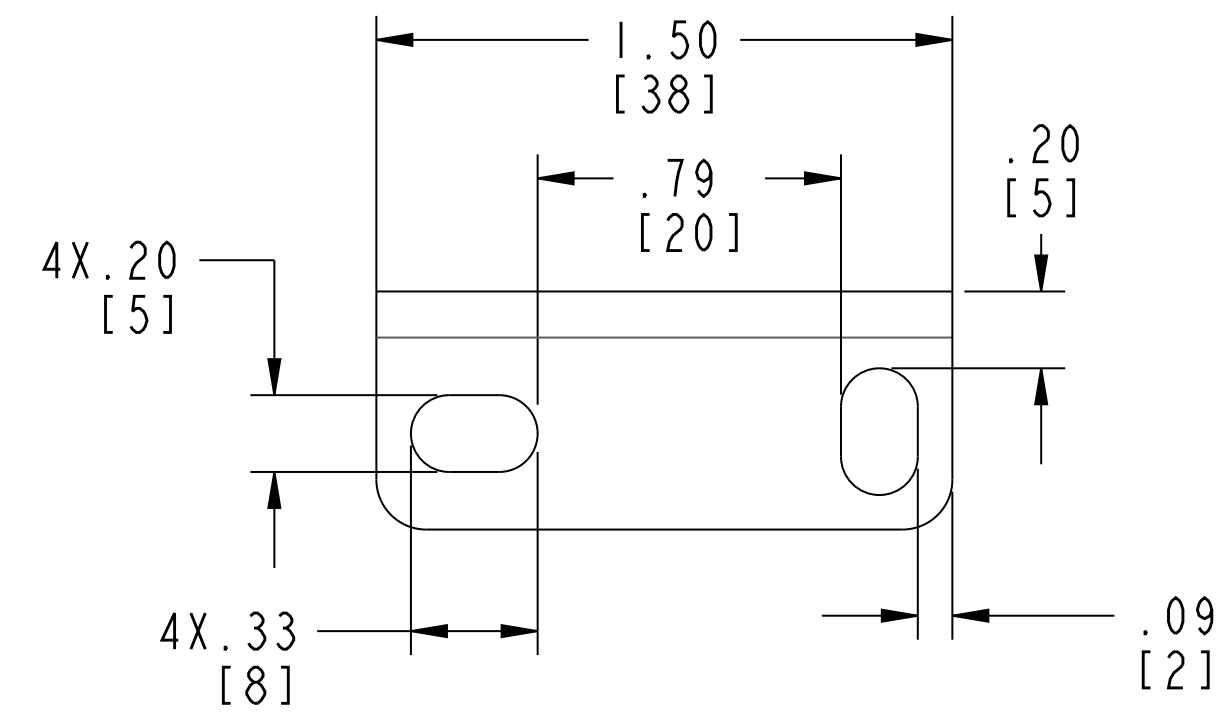
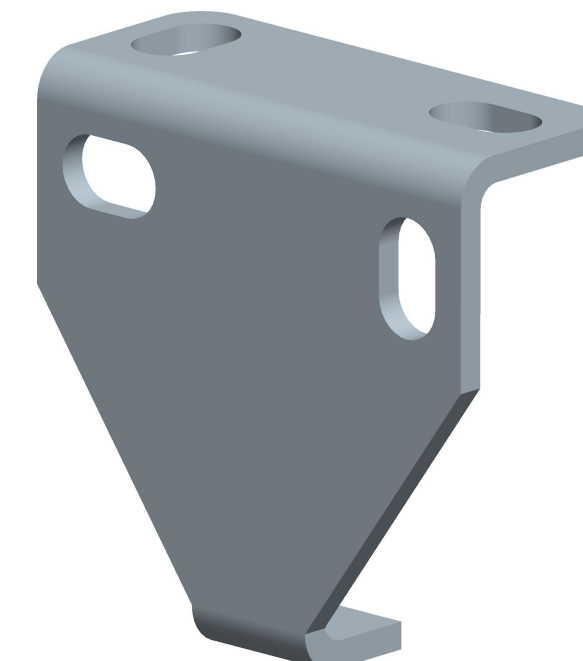
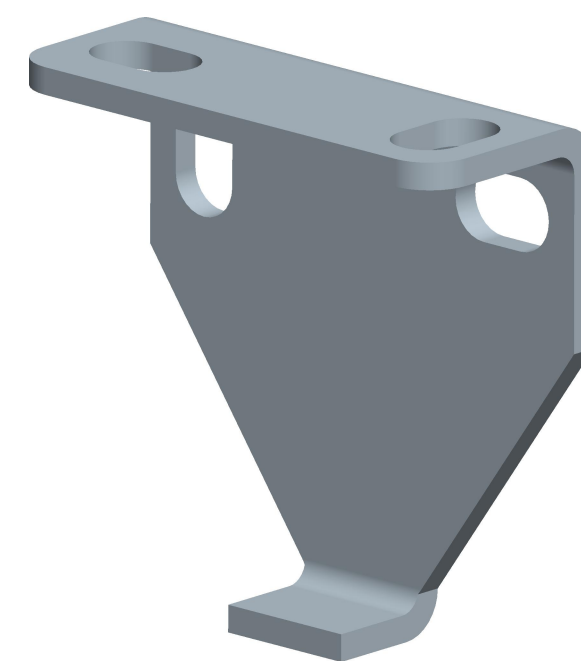
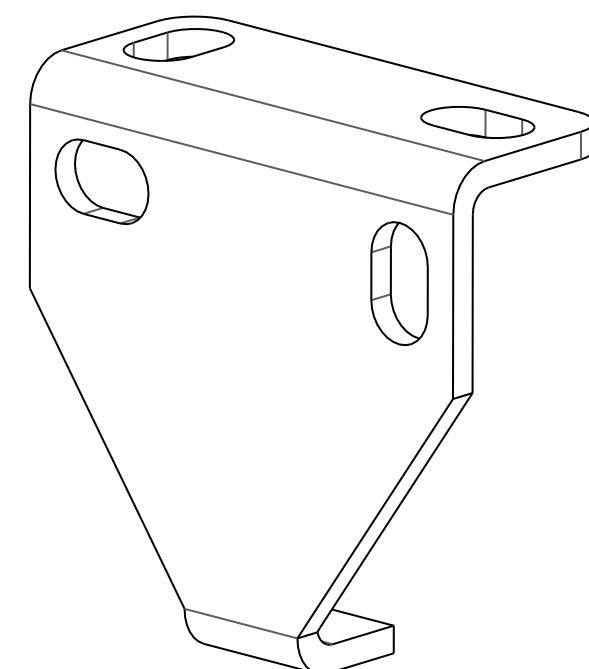
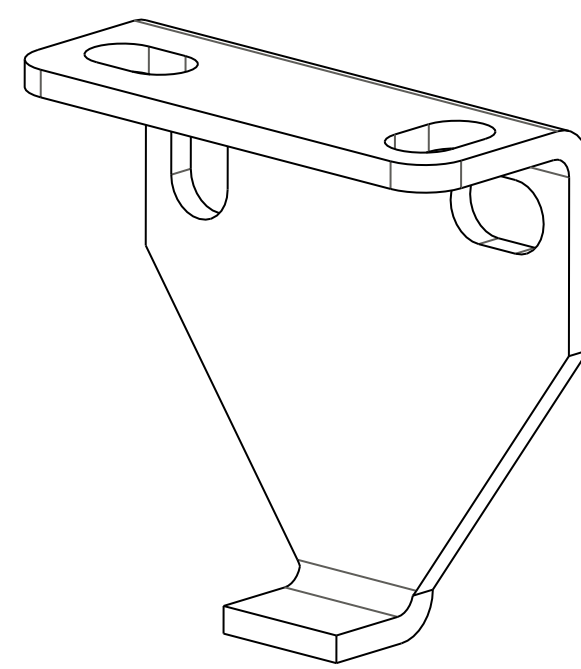


REVISION RECORD				
SYM	DESCRIPTION	BY	DATE	CHK
E	CUSTOMER INSPECTION DRAWING	JSG	15NOV11	



SECTION B-B



SR NO	SBT ITEM NO	CLUTCHS	MAX ROLL DIA	ROLLEASE TUBES
1	RB360XX	R3CXX R8CXX	DIA 2.75 INCH OR DIA 70 MM	RTEA1TXX RTEA2TXX RTEA3TXX RTEA4TXX

THIS INFORMATION IS CONFIDENTIAL AND PROPRIETARY TO ROLLEASE, INC. THE PROSESSOR AGREES TO MAINTAIN THIS INFORMATION AS CONFIDENTIAL, NOT REPRODUCING OR REVEALING IT IN WHOLE OR IN PART TO ANY THIRD PARTY.	INCHES	RollEase Window Covering Systems			
	TOLERANCES				
	X.XX : ± 0.015 X.XXX : ± 0.005 ANG : ± 1°	USED ON R3, R8	MATL	SEE NOTES	SOLID
	DATE 11JUL11	VP	R360 BRACKET, R3-R8 1.5 INCH	ENGINEERING DRAWING NUMBER W016P012	REV E